



Installation Instructions



Installation Instructions



Drop-in Sinks

Stainless Steel

These instructions are for installing Drop-in sinks are sinks that are installed from above the counter-top and sealed to the top of the counter. If you are installing another type of sink, such as an Under-mount sink which sits below the counter-top, please refer to instructions specifically for those sinks.

Note: it is recommended that all counter-tops be cut by an approved or certified installer and that the sinks be installed by the installer whenever possible. The counter-top / sink unit ideally should be installed as one on the job site.

***BEFORE INSTALLING THE SINK, INSPECT IT FOR DAMAGE. DO NOT INSTALL A DAMAGED UNIT.**

Remember, it is your responsibility to follow all local plumbing and building codes.

The warranty will be voided if these installation instructions are not followed.

Step 1 (Strongly Recommended for professional installers only.)

Trial fit the sink, by inserting it into the counter-top to test whether the cutout is the correct size.

Mark the edge of the sink with masking tape on the counter-top.

Remove the sink and make any necessary adjustments in the cutout or placement. (The easiest way to handle the sink is via the drain hole or holes, especially if it's a double-bowl model.)

Step 2 (Strongly Recommended for professional installers only.)

Install faucets and other accessories such as a side spray or soap/lotion dispenser onto the sink. (Do not install drainer basket until after the sink is in place.)

Step 3 (Strongly Recommended for professional installers only.)

Slip mounting clips into position on the sink at evenly spaced intervals. (See ★ Page 3 for clip placement.)

Step 4 (Strongly Recommended for professional installers only.)

Run a bead of the appropriate sealant inside the masking tape.

Step 5 (Strongly Recommended for professional installers only.)

Lower the sink into the hole, following the guidelines created by the masking tape.

Turn mounting clips against the underside of the counter-top and tighten with screwdriver.

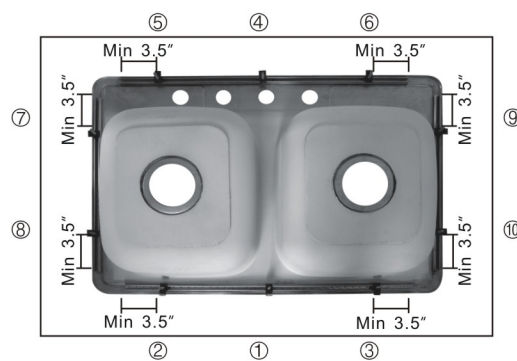
Tools And Materials You Will Or May Need

1	Eye protection (safety glasses/goggles) strongly recommended	8	Slotted screwdriver medium size, long blade/easiest
2	Ear protection strongly recommended	9	Tape measure
3	Drop-in template supplied for the counter-top material	10	Pencil (not permanent marker)
4	Drop-in mounting clips supplied for the counter-top material	11	Ball peen hammer(6 oz.)
5	Cutting tool and blades appropriate for the counter-top material	12	File
6	Drill and drill bit	13	Appropriate sealant for counter-top material
7	Wood braces	14	Rags

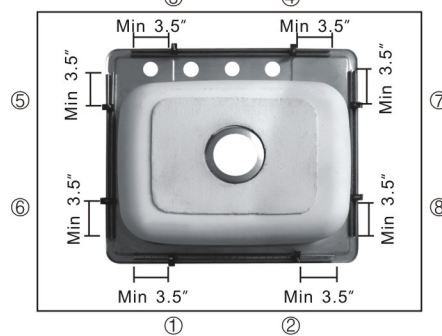
★ **NOTE:** Do not fully tighten one clip at a time. Partially tighten a clip, the partially tighten the clip across from it. After each clip is partially tightened, repeat the process, fully tightening each clip. This ensures a secure installation and avoids damage to the sink.
(See Torque Sequence Chart).

Stainless Steel Torque Sequence Chart -- For Drop-in Sinks Only --

Proper Torque Sequence Chart For 33"x22" And 33"x19" Stainless Steel Sinks



Proper Torque Sequence Chart For 25"x22", 17"x22" And 15"x15" Stainless Steel Sinks



Maximum tightening torque :

33" x 22" x 6" or 7"	6 lbf·in
33" x 19" x 6" or 7"	
25" x 22" x 6" or 7"	
17" x 22" x 6" or 7"	
15" x 15" x 6"	9 lbf·in
33" x 22" x 8"	
33" x 19" x 8"	
25" x 22" x 8"	
17" x 22" x 8"	

Step 6 (Strongly Recommended for professional installers only.)

Remove excess sealant if any.

Install strainer basket.

LEGAL DISCLAIMER

All technical data and information provided in this publication is done as a public service to customers of Compass Manufacturing International and consumers of our products. All names, designs, and model numbers of products are trademarks of Compass Manufacturing International. Prices and specifications of are subject to change without notice or obligation. Compass Manufacturing International also change or discontinue models of its products without notice or obligation. While Compass Manufacturing International endeavors to provide you with accurate information and descriptions of its products, accuracy and completeness can not be guaranteed. Compass Manufacturing International is not responsible for, nor does it have any liability for any mistakes or typographical errors, including liability for incidental, consequential, or special damages. All products should be inspected and measured promptly upon delivery and certainly before any improvements or alterations are done in anticipation of or preparation for installation. Compass Manufacturing International Assumes no liability for the use of such information or for any damages incurred through its use or application.

Nothing contained in this publication is to be construed as contractual or providing any form of warranty or representation on the part of Compass Manufacturing International. **Compass Manufacturing International Makes No Warranties, Express or Implied, Including But Not Limited To Any Warranty Of Merchantability Or Of Fitness For A Particular Purpose, As To The Information Contained Herein Or The Products Described Herein.**

Compass Manufacturing International Limited Lifetime Sink Warranty

Compass Manufacturing International warrants to the original purchaser of an Compass Manufacturing International stainless steel sink that Compass Manufacturing International will, at its option, replace or repair, without charge, such product if it fails due to a manufacturing defect for a lifetime of normal residential use. Product replacement does not include transportation cost or labor installation cost. This warranty covers only stainless steel self-rimming drop-in sinks installed in a conventional counter-top surface and stainless steel under-mount sinks installed in a conventional solid surface counter-top and applies to residential installations only. Compass Manufacturing International reserves the right to examine product in question and its installation prior to replacement..

Some states do not allow the exclusion or limitation of incidental or consequential damages or limitations on how long an implied warranty lasts, so the above limitations or exclusions may not apply to you.

This Warranty gives you specific legal rights, and you may also have other rights which vary from state to state.

To Obtain Service Under Warranty

1. Write to: **Compass Manufacturing International**

6702 ENTERPRISE DRIVE, LOUISVILLE, KY 40214

TOLL FREE: (800) 626-3525 FAX: (502) 361-0715

HTTP://www.cmiproduct.com

2. Include a letter containing the following information:

- Date of purchase and installation
- Proof of Purchase (Copy of original dated invoice).
- Description of nature of defect.
- Model number or description of model and/or component part if possible.

Requesting Assistance or Service

If you need assistance or service

Call toll-free at 1-800-626-3525. Our consultants are available to assist you.

When calling: Please know the purchase date, and the complete model of your sink. This information will help us better respond to your request.

Our consultants provide assistance with:

- Features and specifications on our full line of sinks
- Installation information
- Use and maintenance procedures
- Accessory and repair parts sales
- Specialized customer assistance
- Referrals to local dealers, service companies, and repair parts distributors