

Prestige - Wide Spread Bathroom Faucet



- * Wide Spread 6"-10" Center-set, 3 Hole Installation
- * Includes Brass Pop-up Drain
- * 4" High and 5-7/16" Long One Piece Solid Cast Brass Spout, Zinc Handle
- * Solid Brass Waterway Construction with 1/2"-14 NPSM Connection
- * "Quick Connect" Type Connection Hose
- * 1/4 Turn Premium Grade Ceramic Cartridges (Type J)
- * Flow Rate: 1.2GPM @ 60PSI
- * 100% Pressure System Tested
- * Lifetime Limited Warranty; 5 year warranty from date of purchase for Commercial users.

Project / Job Name	
Architect / Engineer	
Contractor	
Model	
Quantity	

Model No. :



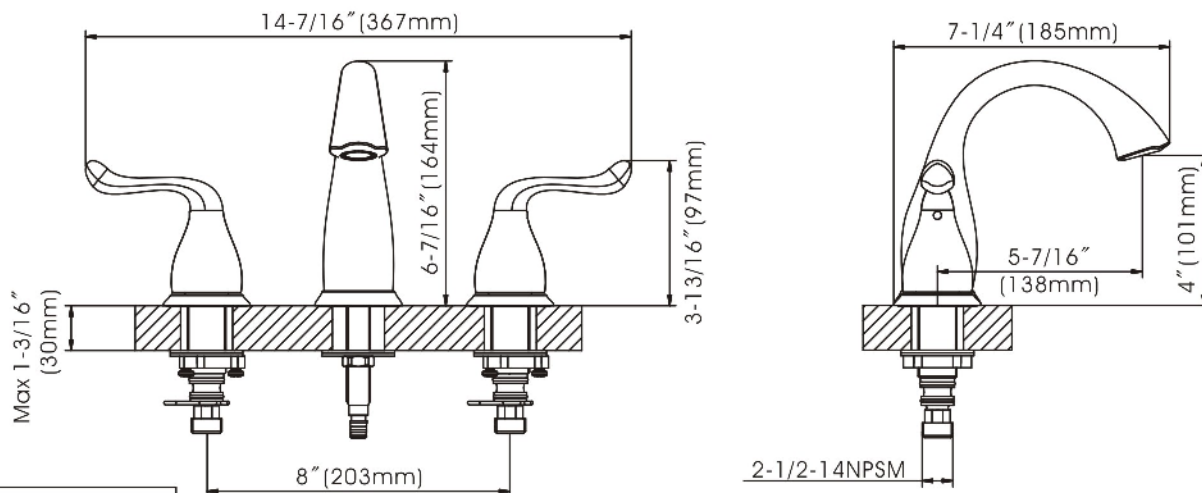
201-7713 (CH)
 (Shown Model)



201-7714 (BN *Spotless PVD*)



201-7715 (ORB)



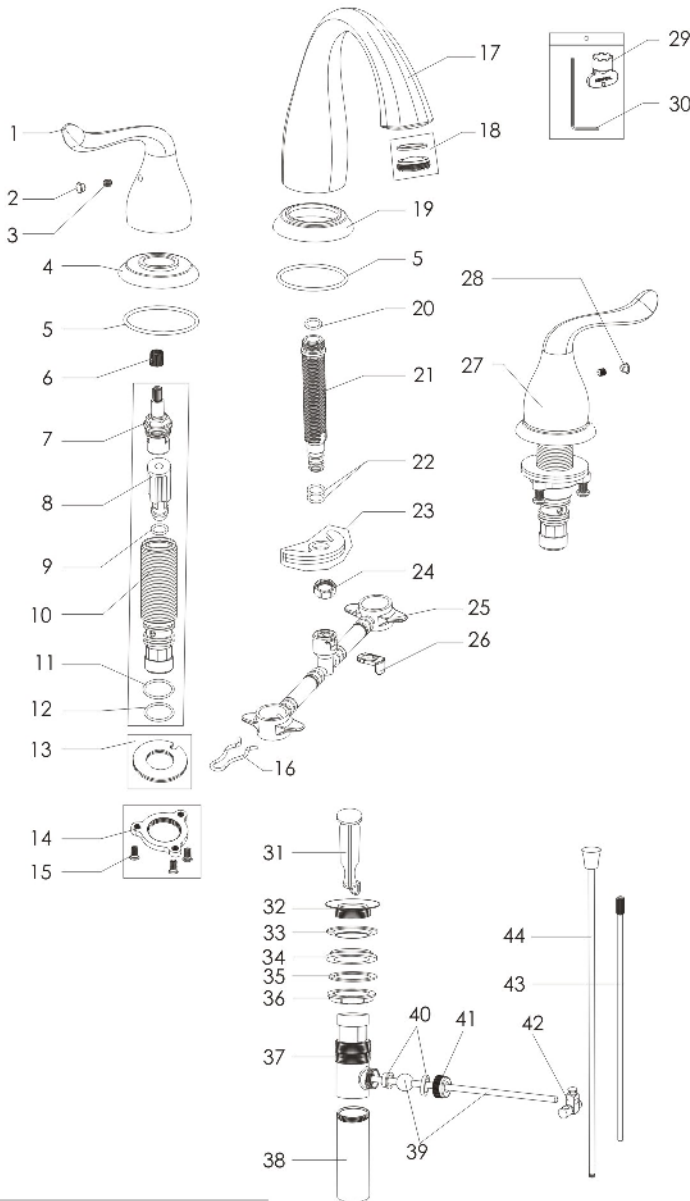
Cartridge (Type J)



Product Compliance:

- ASME A112.18.1 / CSA B125.1
- NSF 61 - Section 9
- NSF 372 (Low Lead Content)
- ANSI A117.1 (ADA)
- EPA - Water Sense

Prestige - Wide Spread Bathroom Faucet



Model No. :

201-7713 (Polished Chrome)

201-7714 (Brushed Nickel *Spotless PVD*)

201-7715 (Oil-Rubbed Bronze)

No.	Part Name	Material
1	Handle	Zinc
2	Index(Hot)	Rubber
3	Set Screw	Stainless Steel
4	Handle Flange	Zinc
5	O-Ring	Rubber
6	Handle Adapter	Plastic
7	Cartridge(Hot Water)	Brass
8	Cartridge seat	Brass
9	O-Ring	Rubber
10	Brass Valve Body	Brass
11	O-Ring	Rubber
12	O-Ring	Rubber
13	Clamp	Rubber+Stainless Steel
14	Lock Nut	Zinc
15	Screw	Stainless Steel
16	Clip	Stainless Steel
17	Spout	Brass
18	Aerator	Rubber+Plastic
19	Spout Flange	Zinc
20	O-Ring	Rubber
21	Inlet	Brass
22	O-Ring	Rubber
23	Clamp	Plastic+Stainless Steel
24	Lock Nut	Brass
25	Quick Connect Hose	Plastic
26	Plastic Lock Ring	Plastic
27	Cartridge(Cold Water)	Brass
28	Index(Cold)	Rubber
29	Aerator Wrench	Plastic
30	Allen Key	Brass
31	Drain Stopper	Plastic+Brass
32	Flange	Brass
33	Top Rubber Washer	Rubber
34	Bottom Rubber Washer	Rubber
35	Washer	Plastic
36	Lock Nut	Zinc
37	Drain Body	Brass
38	Tailpiece	Stainless Steel
39	Horizontal Rod	Plastic+Stainless Steel
40	Rod Ball Plastic Gasket	Plastic
41	Rod Guide Nut	Brass
42	Fittings	Brass
43	Extend Rod	Stainless Steel
44	Lift Rod	Brass

Cartridge (Type J)



Technical Support: warranty@cmiproduct.com
 Hour of Operation: Mon - Fri 8:30 a.m - 5:00 p.m. EST