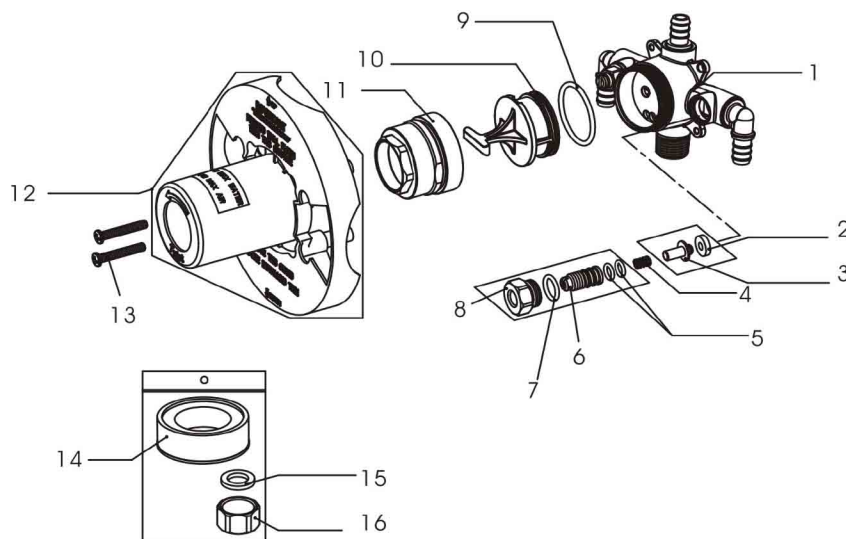


Contractor PEX Valve Pack with Fitting Facing Down Type A



• Model No. : 212-6236

- * Brass Valve Body Only
- * Accepts Back-to-Back functional type pressure balanced cartridge
- * Integral Stops
- * 3/4" PEX crimp connections and 1/2" Universal outlets (Sweat) with Male NPT threads
- * Includes brass plug for Shower only
- * Includes pressure test kit



NO.	Part Name
1	Valve Body
2	Sealing Washer
3	Stopper
4	Spring
5	O-ring
6	Adjuster
7	O-ring
8	Adjuster Seat
9	O-ring
10	Test Plug
11	Cartridge Lock Nut
12	Protective Kit
13	Screw
14	Teflon Tape
15	Washer
16	End Cap