

Lead-Free Shut-Off *freedom* FLANGE®

Taco® Lead-Free Shut-Off *freedom* FLANGE® combines a full-port shut-off ball valve and companion flange to isolate system circulators for easy removal and service, without draining the system. Simplify your next circulator installation while saving material and labor costs. Solid brass uni-body construction, available in 1/2" – 1-1/2" NPT or Sweat connections. The swivel-flange provides easier installation and positioning of the pump and lever handle in the most convenient location.



LEAD-FREE



Submittal Data Information Lead-Free Shut-Off *freedom* FLANGE®

Submittal Data # 101-171
Supersedes: NEW

Effective: 09/10/18

Features

- Easy 1/4-turn Open/Close operation
- Positive shut-off, leak free design
- Swivel-Flange allows 360° rotation
- Solid lead-free brass construction
- Chrome/brass valve ball
- High quality Teflon® seats
- Full port ball valve for unrestricted flow
- 150# WP
- Available Sizes: 1/2" — 1-1/2" NPT
1/2" — 1-1/2" Sweat
- Includes Bolts and Nuts

Materials of Construction

Valve Body: Solid brass — Lead-Free
Valve Ball: Chrome plated brass
Flange: Epoxy powder coated steel
Packing Seal: Teflon®¹
Valve Seat : Teflon®
Valve Stem: Brass
Handle: Chrome plated steel/vinyl cover

¹Teflon is a Trademark of EI Dupont de Nemours, Inc.

Operating Data

Maximum WP = 150 psi
Maximum Operating Temp: 240°F (115°C)

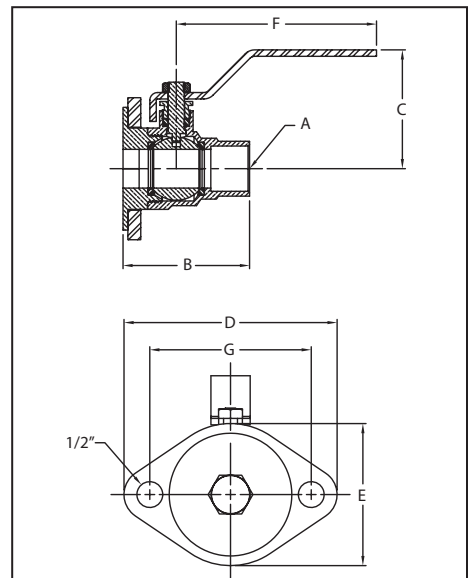
Application

The Taco Lead-Free Shut-Off *freedom* FLANGE® is a combination full port shut-off ball valve and swivel companion flange for most Taco circulators. The simple quarter turn, lever handle operation allows for easy isolation, removal and service of circulators without draining the system. Each flange set includes bolts and nuts. Available in sizes 1/2" to 1-1/2", NPT and Sweat connections, rated for 240°F, 150# WP.

Dimensions & Weights

Model #	A Size	B in (mm)	C in (mm)	D in (mm)	E in (mm)	F in (mm)	G in (mm)	Wt./Set lbs. (kg)
SFL-050T	1/2" NPT	2 (51)	2 (51)	4-1/8 (105)	2-3/4 (70)	3-7/8 (98)	3-1/8 (79)	2.5 (1.1)
SFL-075T	3/4" NPT	2-1/4 (57)	2 (51)	4-1/8 (105)	2-3/4 (70)	3-7/8 (98)	3-1/8 (79)	3.0 (1.4)
SFL-100T	1" NPT	2-1/2 (64)	2-1/2 (64)	4-1/8 (105)	2-3/4 (70)	4-1/2 (114)	3-1/8 (79)	3.5 (1.6)
SFL-125T	1-1/4" NPT	2-3/4 (70)	2-7/8 (73)	4-1/8 (105)	2-3/4 (70)	4-1/2 (114)	3-1/8 (79)	4.0 (1.8)
SFL-150T	1-1/2" NPT	3-7/8 (98)	3-1/2 (89)	4-1/8 (105)	2-3/4 (70)	5-1/2 (140)	3-1/8 (79)	5.2 (2.3)
SFL-125T-0012	1-1/4" NPT	2-3/4 (70)	2-7/8 (73)	4-1/2 (114)	3 (76)	4-1/2 (114)	3-1/2 (89)	4.7 (2.1)
SFL-150T-0012	1-1/2" NPT	3-7/8 (98)	3-1/2 (89)	4-1/2 (114)	3 (76)	5-1/2 (140)	3-1/2 (89)	6.9 (3.1)
SFL-050S	1/2" Swt.	2 (51)	2 (51)	4-1/8 (105)	2-3/4 (70)	3-7/8 (98)	3-1/8 (79)	2.5 (1.1)
SFL-075S	3/4" Swt.	2-1/2 (64)	2 (51)	4-1/8 (105)	2-3/4 (70)	3-7/8 (98)	3-1/8 (79)	3.0 (1.4)
SFL-100S	1" Swt.	2-3/4 (70)	2-1/2 (64)	4-1/8 (105)	2-3/4 (70)	4-1/2 (114)	3-1/8 (79)	3.5 (1.6)
SFL-125S	1-1/4" Swt.	3 (76)	2-3/4 (70)	4-1/8 (105)	2-3/4 (70)	4-1/2 (114)	3-1/8 (79)	4.0 (1.8)
SFL-150S	1-1/2" Swt.	4-1/8 (105)	3-1/2 (89)	4-1/8 (105)	2-3/4 (70)	5-1/2 (140)	3-1/8 (79)	6.0 (2.7)
SFL-125S-0012	1-1/4" Swt.	3 (76)	2-3/4 (70)	4-1/2 (114)	3 (76)	4-1/2 (114)	3-1/2 (89)	4.7 (2.1)
SFL-150S-0012	1-1/2" Swt.	4-1/8 (105)	3-1/2 (89)	4-1/2 (114)	3 (76)	5-1/2 (140)	3-1/2 (89)	6.9 (3.1)

Dimensions and weights are approximate.



Shut-off Flanges for Taco Circulator Models

Size	Model # NPT	Model # Sweat	Taco Circulator Model #
1/2"	SFL-050T	SFL-050S	006,005,007,008,009,0010
3/4"	SFL-075T	SFL-075S	0011,0013,0014,00R,0015
1"	SFL-100T	SFL-100S	110,111,112,113
1-1/4"	SFL-125T	SFL-125S	2400-10,2400-20,
1-1/2"	SFL-150T	SFL-150S	2400-45,2400-50
1-1/4"	SFL-125T-0012	SFL-125S-0012	0012-F4
1-1/2"	SFL-150T-0012	SFL-150S-0012	2400-30, 2400-40

LEAD-FREE



Low-Lead
Compliant

NSF/ANSI 61 & 372



Taco Inc., 1160 Cranston Street, Cranston, RI 02920 / (401) 942-8000 / Fax (401) 942-2360
Taco (Canada) Ltd., 8450 Lawson Road, Unit #3, Milton, Ontario L9T 0J8 / (905) 564-9422 / Fax (905) 564-9436