

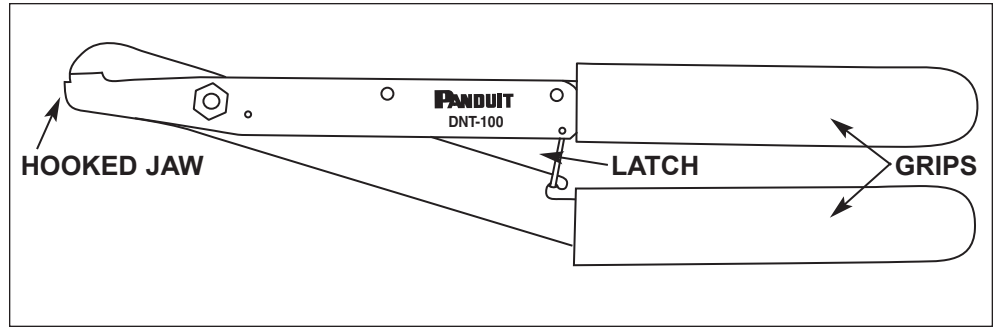
OPERATION INSTRUCTIONS

© Panduit Corp. 2014

WIRE DUCT NOTCHING TOOL

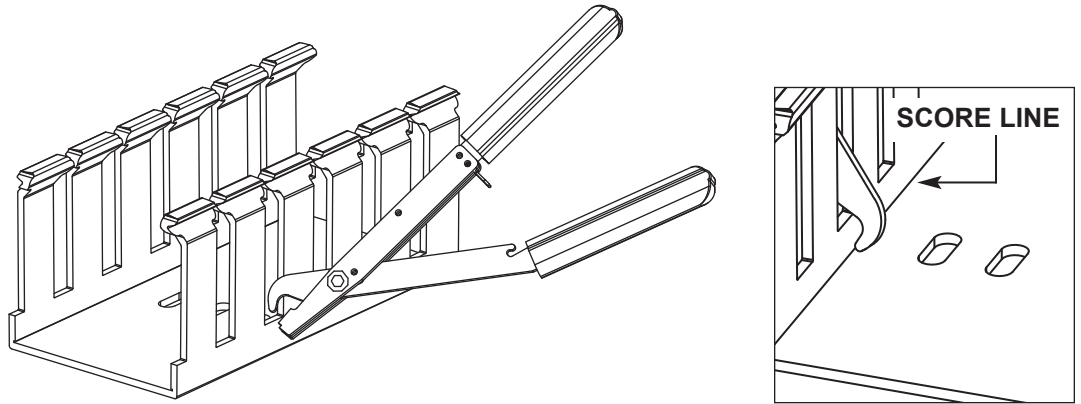
Part No. DNT-100

Panduit Plastic Wiring Duct



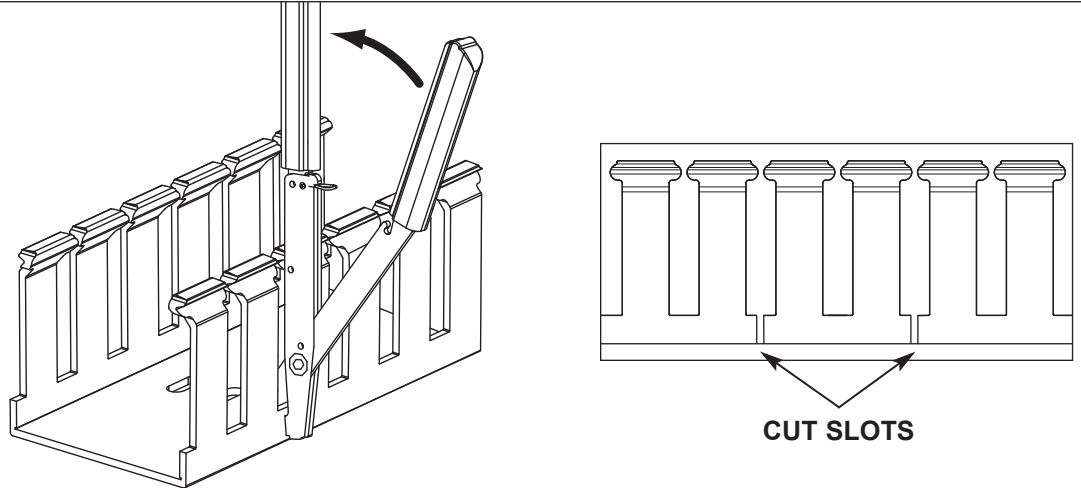
STEP 1

- Determine number of fingers (section) to be removed from duct.
- Insert hooked jaw (as shown) into the slot adjacent to the first finger to be removed.
- Seat hooked jaw into score line at base of duct.



STEP 2

- Close jaws to cut a slot next to the finger. Repeat at other side of section to be removed.
(continued on Page 2)



TOOL MAINTENANCE: This tool requires no special maintenance.

NOTE: This precision tool has been engineered and designed for use with Panduit Plastic Wiring Duct. It is not intended for use with other products or materials.

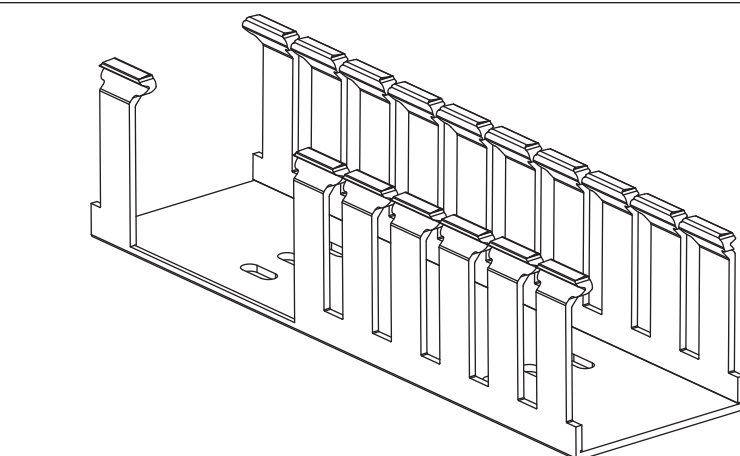
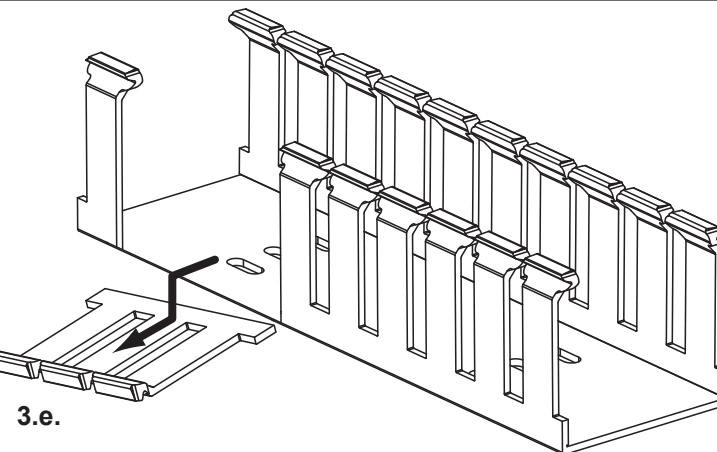
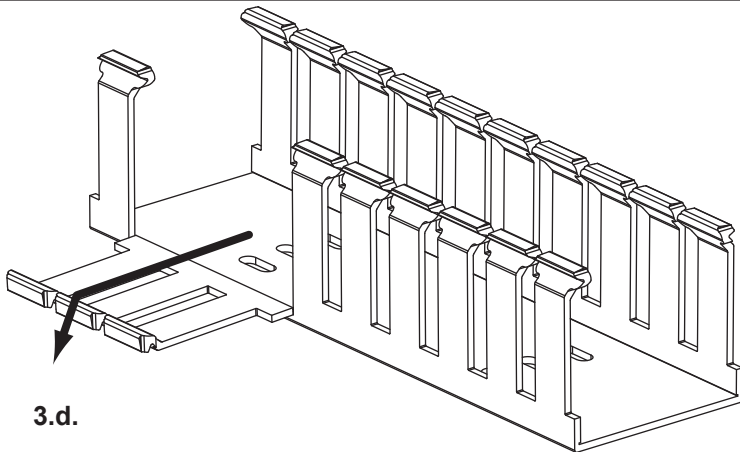
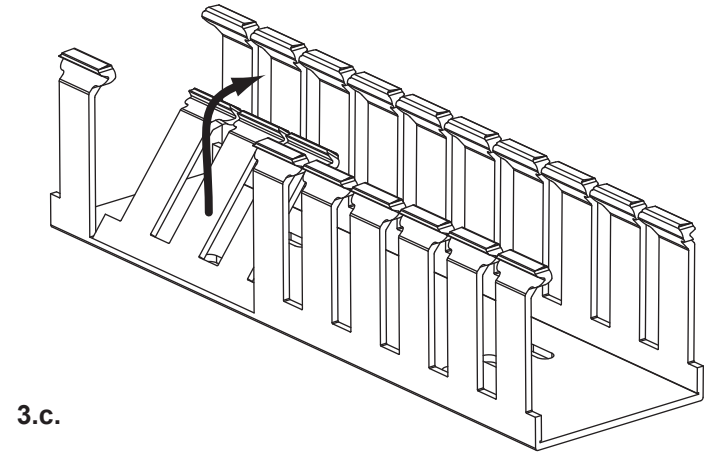
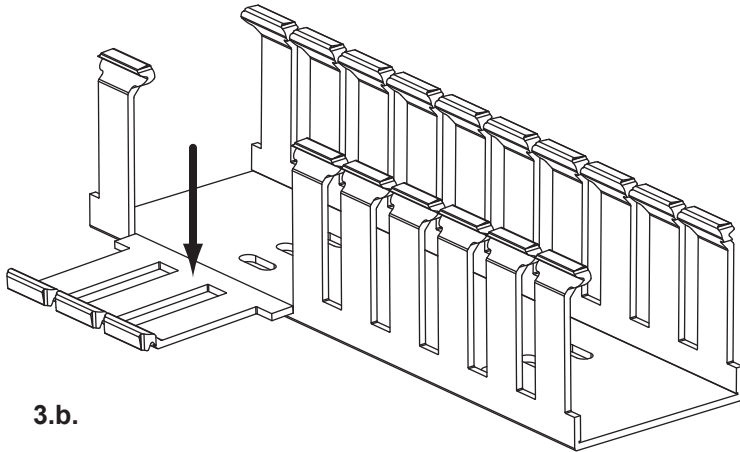
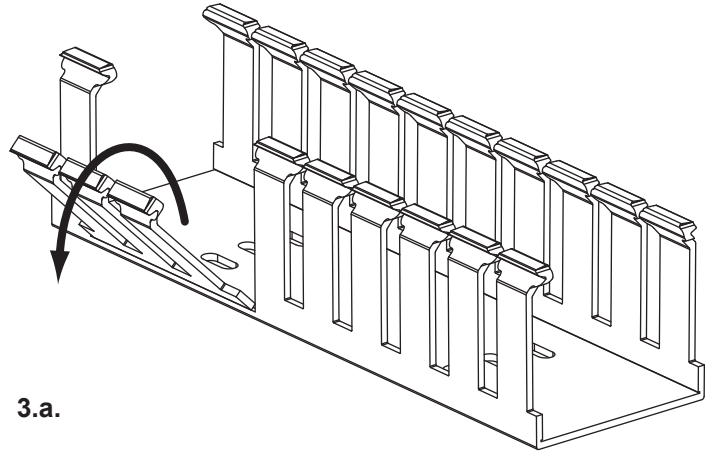
E-mail:
techsupport@panduit.com

PANDUIT
www.panduit.com

For Technical Support:
1-888-506-5400, ext. 83255

STEP 3 - REMOVING SECTION

- 3.a. Bend section outward
- 3.b. Push down and fold at score line
- 3.c. Bend back inward
- 3.d. Bend back outward
- 3.e. Snap off at score line



Leaves a smooth consistent edge.