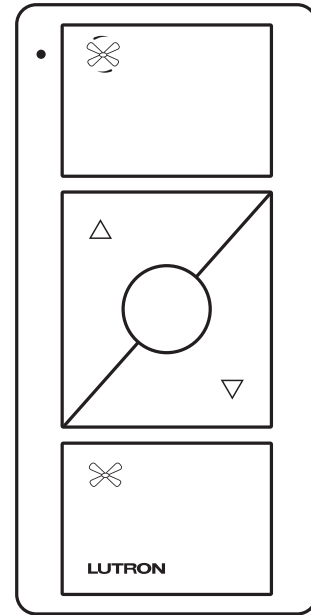


### Pico Wireless Control for Fans

The Pico wireless control for fans is a simple keypad for direct control of fans from anywhere in the home. This battery-operated control requires no external power or communication wiring.

#### Features

- Compatible systems include:<sup>1</sup>
  - Caséta Wireless
  - RA2 Select
  - RadioRA 2
  - HomeWorks QS
- Easy reconfiguration for use as:
  - Handheld remote
  - Wall-mount control (with or without wallplate; wallplate adapter kit sold separately)
  - A table top control (table top pedestal sold separately)
- Battery-powered. Requires no wiring.
- 10-year battery life (one CR2032 battery included)<sup>2</sup>.
- Can be assigned to a Lutron Smart Bridge, Lutron Smart Bridge PRO, or a Lutron Repeater that is within a range of 30 ft (9 m) through walls and 60 ft (18 m) line-of-sight.



Pico Wireless Control for Fans

<sup>1</sup> Compatible systems require a Lutron Smart Bridge, Lutron Smart Bridge PRO, or a Lutron Connect Bridge. Setup the Pico wireless control using the Lutron App for Caséta Wireless or the Lutron Connect App for RadioRA 2 and HomeWorks QS.

<sup>2</sup> Based on a 1 year shelf life, an average of 10 button presses per day, and an ambient temperature of 86 °F (30 °C). Actual life may vary based on usage and environmental conditions.

<b>Job Name:</b>	<b>Model Numbers:</b>
<b>Job Number:</b>	

## Specifications

### Regulatory Approvals

- Lutron Quality Systems registered to ISO 9001:2008.
- FCC Certified (U.S.A.)
- IC Certified (Canada)
- COFETEL Certified (Mexico)
- SUTEL Certified (Costa Rica)
- Anatel Certified (Brazil)

### Power

- Operating Voltage 3 V<sub>DC</sub>
- (1) CR2032 Battery (included)

### System Communication and Capacity

- Communicates using Radio Frequency (RF) at 431 MHz to 437 MHz.
- Thousands of system addresses prevent interference between systems.
- Can be assigned to a Lutron Fan Control, Lutron Smart Bridge, or a Lutron Repeater that is within a 30 ft (9 m) range.

### Mounting Considerations

- Mounting of any RF devices on, or in close proximity to, a metal surface will drastically reduce the effective range of radio signal transmission and reception.
- All RF devices must be mounted on non-conductive materials to ensure proper performance.
- If you wish to mount your Pico remote control to a metal surface, the PICO-MOUNT-1-XX-CPN5733 will be required in order to maintain proper RF performance. For availability, please contact your local Lutron sales office.

### Environment

- Ambient operating temperature: 32 °F to 140 °F (0 °C to 60 °C)
- Maximum 90% non-condensing relative humidity
- Indoor use only

### Warranty

- 1 Year Limited Warranty

For additional Warranty information, please visit [www.lutron.com/TechnicalDocumentLibrary/369-119\\_Wallbox\\_Warranty.pdf](http://www.lutron.com/TechnicalDocumentLibrary/369-119_Wallbox_Warranty.pdf)

<p>Job Name:</p>  <p>Job Number:</p>	<p>Model Numbers:</p>
--	-----------------------

## Pico Wireless Control Model Number

For order quantities of 96 pieces or greater of the same model number, bulk packaging may be available. Mounting hardware is not available with bulk packaging. Contact your local Lutron sales office.

PJ2 – 3BRL – XXX – F01

### Frequency/Channel Code \*

Code	Frequency Range
J	431.0 – 437.0 MHz

Button Marking Code

\* For questions about frequency/channel code compatibility, contact your local Lutron sales office or visit us at [www.lutron.com](http://www.lutron.com)

### Button Configuration Codes

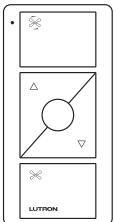
Code	Button Configuration
3BRL	3 Button with Raise/Lower

### Color/Finish Codes

Color	Finish	
	Gloss	Texture (Satin Colors)
White	GWH	TSW
Black	GBL	TMN
Ivory	GIV	–
Light Almond	GLA	–

### Button Marking Codes:

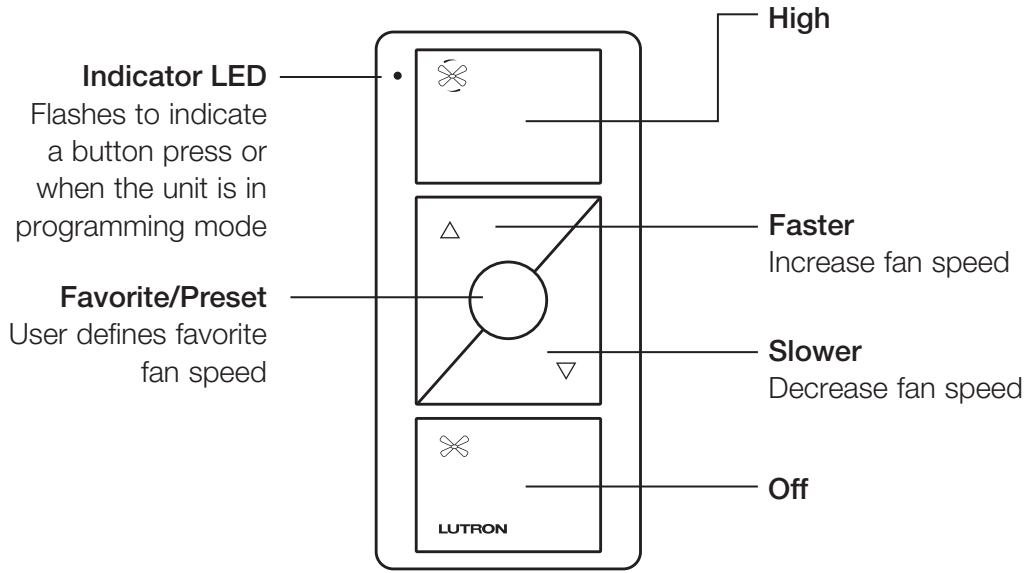
3 Button with Raise/Lower



Fan (F01)

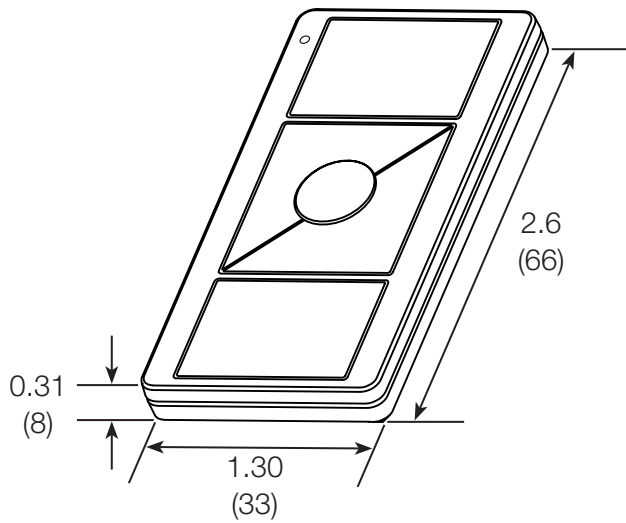
Job Name:	Model Numbers:
Job Number:	

### Operation



### Dimensions

Measurements shown as: in (mm)

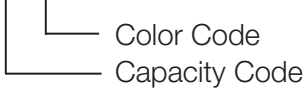


Job Name:	Model Numbers:
Job Number:	

### Pico Pedestal Model Number

Pedestals sold separately. Available in gloss finish only.

**L-PEDX-XX**



#### Capacity Codes:

Capacity	Code
Single	1
Double	2
Triple	3
Quadruple	4

#### Color Codes:

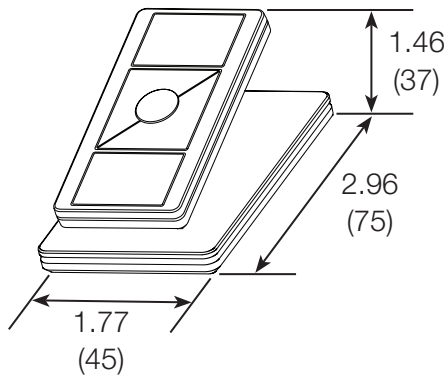
Gloss Color	Code
White	WH
Black	BL

### Dimensions

Measurements shown as: in (mm)

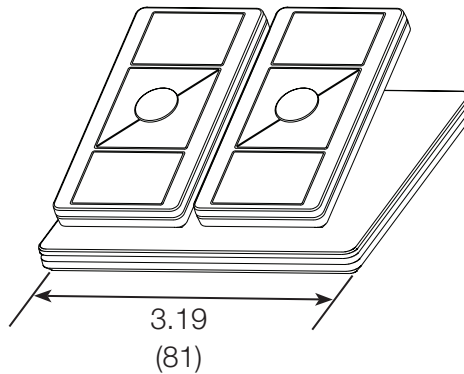
#### Single Pedestal

Pedestals sold separately.



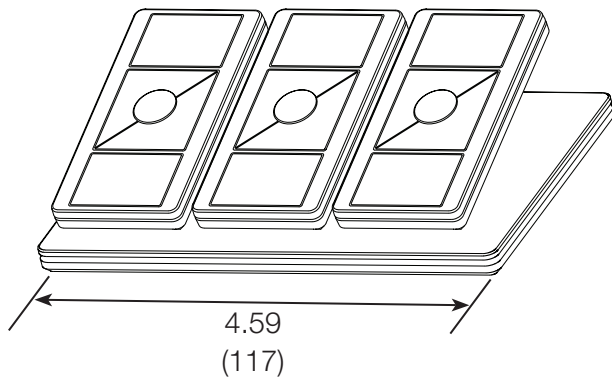
#### Double Pedestal

Pedestals sold separately.



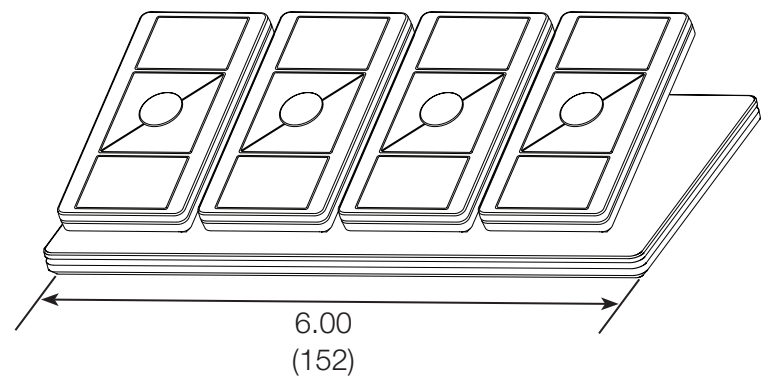
#### Triple Pedestal

Pedestals sold separately.



#### Quadruple Pedestal

Pedestals sold separately.

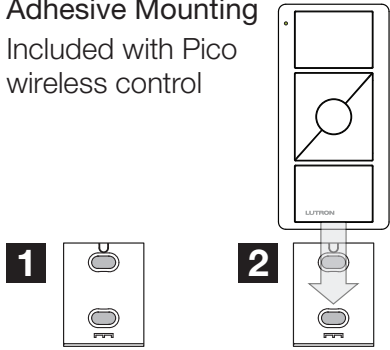


Job Name:	Model Numbers:
Job Number:	

# Mounting Options

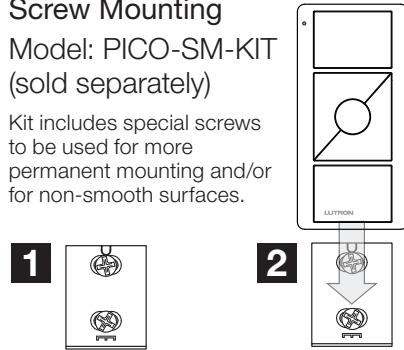
## Standalone Mounting

**Adhesive Mounting**  
Included with Pico wireless control



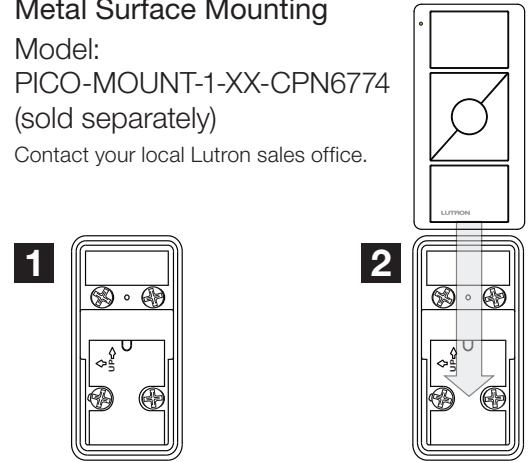
**Screw Mounting**  
Model: PICO-SM-KIT (sold separately)

Kit includes special screws to be used for more permanent mounting and/or for non-smooth surfaces.



**Metal Surface Mounting**  
Model: PICO-MOUNT-1-XX-CPN6774 (sold separately)

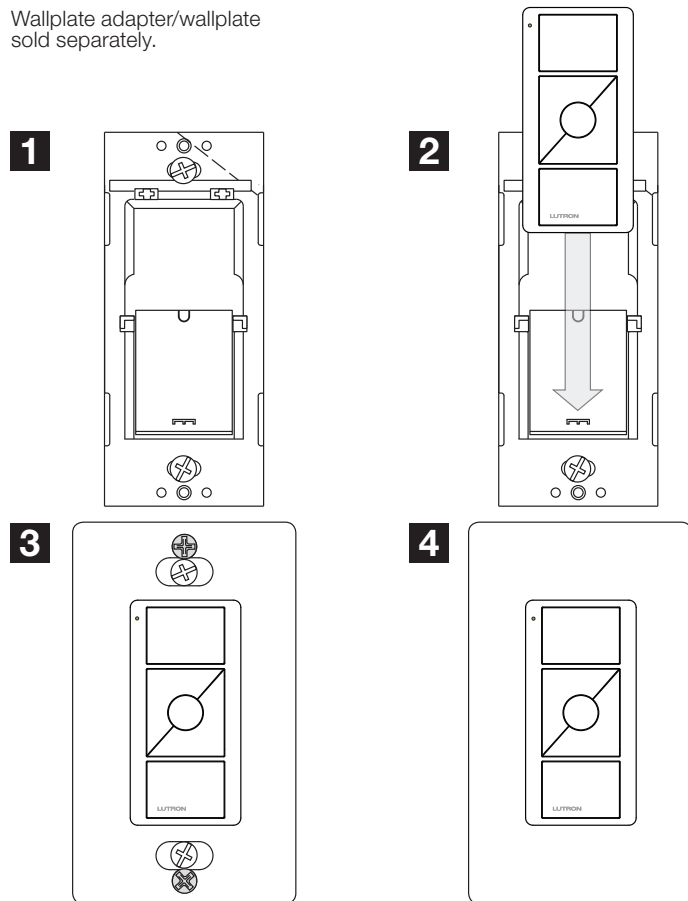
Contact your local Lutron sales office.



## Wallbox Mounting

**Wallbox Adapter**  
Model: PICO-WBX-ADAPT (sold separately)

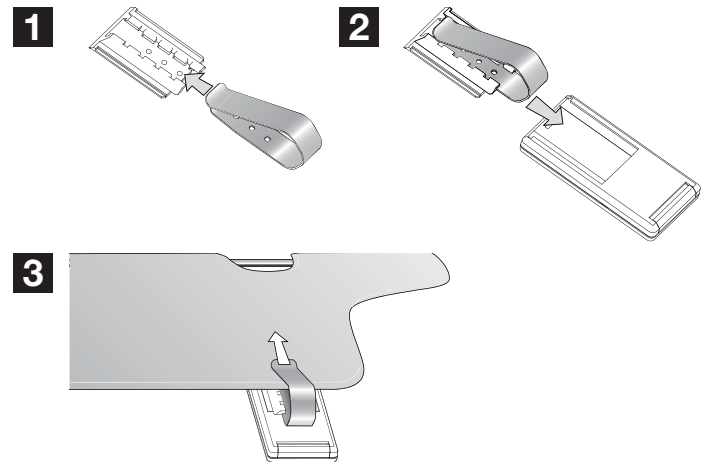
Wallplate adapter/wallplate sold separately.



## Vehicle Mounting

**Mounting to a Car Visor**

Model: PICO-CARVISOR-CL (sold separately)



Lutron, Lutron, Caséta, Claro, HomeWorks, Pico and RadioRA are trademarks of Lutron Electronics Co., Inc., registered in the U.S. and other countries. Lutron Connect and Smart Bridge are trademarks of Lutron Electronics Co., Inc.

Job Name:	Model Numbers:
Job Number:	