

Grand - Single Handle Bathroom Faucet



- * Single Hole or 3 Hole Installation
- * Includes Brass Pop-up Drain
- * 3-1/2" High and 4-7/16" Long One Piece Solid Cast Brass Spout, Zinc Handle, Stainless Steel Deck Plate
- * Copper Waterway Construction with 1/2" -14 NPSM Connection
- * Premium Grade Ceramic Cartridge (Type N)
- * Flow Rate: 1.2GPM @ 60PSI
- * 100% Pressure System Tested
- * Lifetime Limited Warranty; 5 year warranty from date of purchase for Commercial users.

Project / Job Name	
Architect / Engineer	
Contractor	
Model	
Quantity	

Model No. :



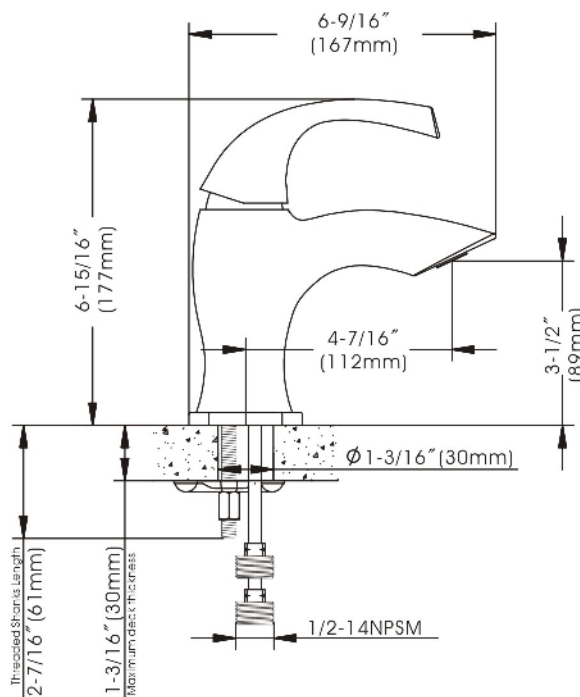
192-5883 (CH)
 (Shown Model)



192-5884 (BN *Spotless PVD*)

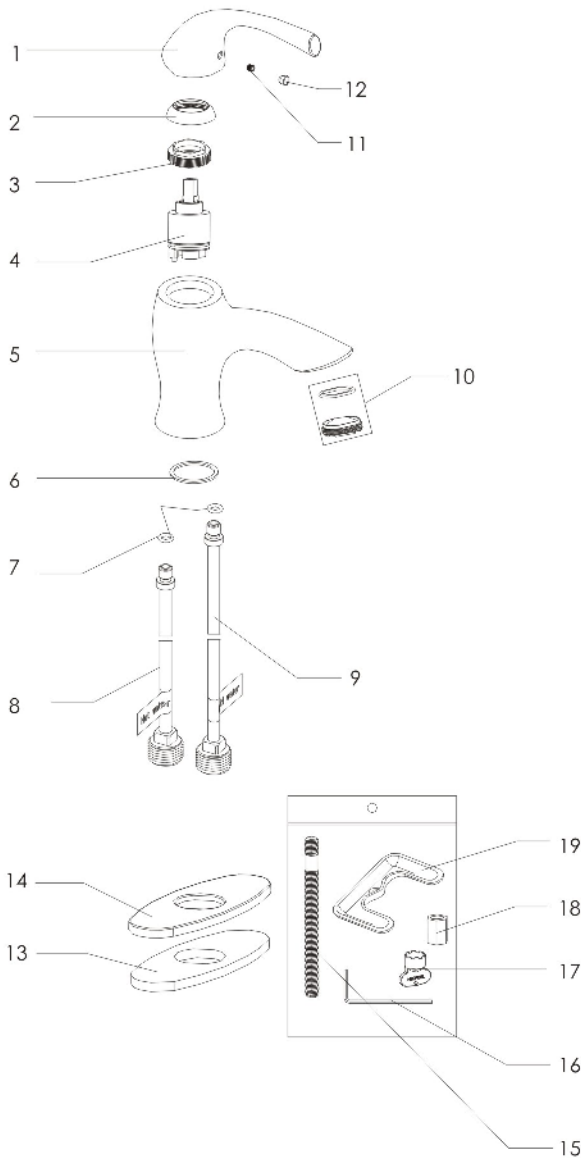


192-5885 (ORB)



- Product Compliance:**
- ASME A112.18.1 / CSA B125.1
 - NSF 61 - Section 9
 - NSF 372 (Low Lead Content)
 - ANSI A117.1 (ADA)
 - EPA - Water Sense

Grand - Single Handle Bathroom Faucet



Model No. :

192-5883 (Polished Chrome)

192-5884 (Brushed Nickel *Spotless* PVD)

192-5885 (Oil-Rubbed Bronze)

No.	Part Name	Material
1	Handle	Zinc
2	Trim Cap	Plastic
3	Cartridge Lock Nut	Brass
4	Cartridge	Ceramic
5	Body	Brass
6	Wearing Ring	Rubber
7	O-Ring	Rubber
8	Copper Tube	Brass
9	Copper Tube	Brass
10	Aerator	Plastic+Rubber
11	Set Screw	Stainless Steel
12	Index	Plastic
13	Putty Plate	Sponge
14	Deck Plate	Stainless Steel
15	Bolt	Stainless Steel
16	Allen Key	Stainless Steel
17	Aerator Wrench	Plastic
18	Lock Nut	Brass
19	Clamp	Stainless Steel

Cartridge (Type N)



Technical Support: warranty@cmiproduct.com
Hour of Operation: Mon - Fri 8:30 a.m - 5:00 p.m. EST