

**006e3™ ECM High-Efficiency Hot Water Circulator**

The 00e<sup>®</sup> series — 006e3 is an infinitely variable, high-efficiency wet rotor circulator with an ECM permanent magnet motor. With 3 easy settings, the 006e3 delivers performance, reliability and ease of installation that made the 00<sup>®</sup> famous.



- Taco trusted 00e<sup>®</sup> series quality and reliability  
— **Install it, forget it.™**
- Easy to use dial:
  - Low, Medium, High
  - 003 & 006 performance point references
- Easy installation:
  - Compact design for tight spaces
  - Multiple connection options available
- High-efficiency ECM motor uses up to 85% less electricity
- **SureStart<sup>®</sup>** automatic unblocking and air purging mode

## Features & Applications

The 006e3™ ECM circulator: Three settings. One reputation.



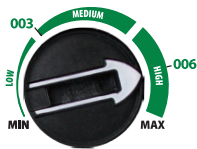
- 13' Shut-off head, 11 gpm max flow
- Easy to use dial:
  - Low, Medium, High
  - 003 & 006 performance point references
- Rugged high-performance composite casing
- 3 color LED indicator light:
  - Blue: Operating mode
  - White: **SureStart**®
  - Red: Error diagnostic
- Whisper quiet operation
- 1" union connection with optional ½" & ¾" fitting sets sold separately (See chart below)
- Double insulated, no ground wire required

### Replacement Chart

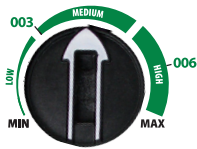
Taco	Grundfos	Armstrong	B&G / Xylem	Laing
003	UP 15-18	Astro 225 BS	ecocirc e <sup>3</sup> -4	E1 Series
006	UP 15-10	Astro 225 SSU	ecocirc e <sup>3</sup> -6	E3 Series
	UP 10-16	Astro 220 SSU	NBF-8, 9, 10, 12 SSF-9, 12	

### Setting Selection Guide

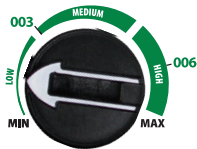
Based on ¾" supply, ½" return copper pipe



HIGH — 500 ft pipe



MEDIUM — 350 ft pipe



LOW — 200 ft pipe or less

NOTE: Figures are for reference purposes only. Refer to ASTM guidelines for piping flow & velocity standards. For PEX, refer to pipe manufacturer guidelines.

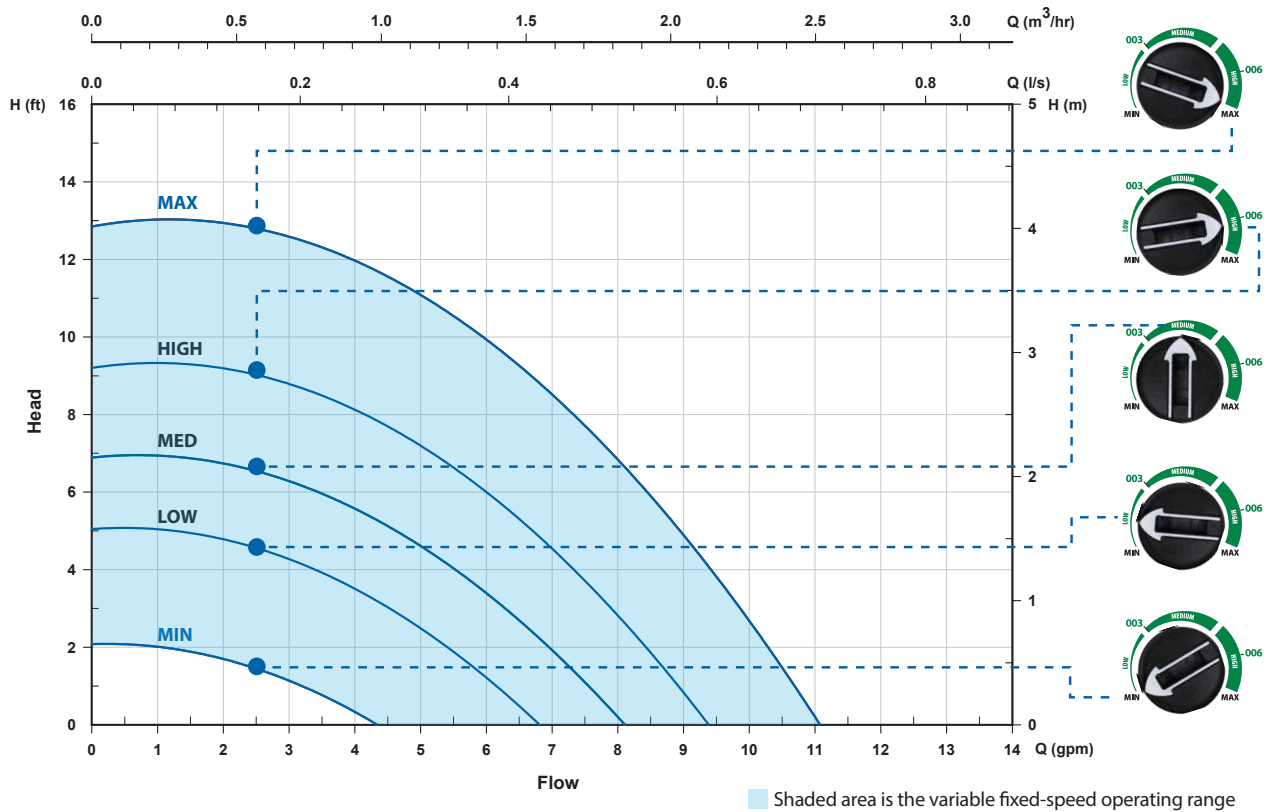
### Choose the right fitting for the job!

Image	Fitting Assembly Description	Product Code
	½" Union Sweat	UFS-050S
	½" Union FNPT	UFS-050T
	½" Union Press	UFS-050P
	¾" Union Sweat	UFS-075S
	¾" Union FNPT	UFS-075T
	¾" Union Press	UFS-075P

Fitting sets include (2) gaskets, (2) union nuts and (2) tail pieces.



## Performance Curves 115V / 60Hz



### FIXED SPEED MODE



The 006e3 is factory-programmed for **Medium Speed Setting**. Simply turn the dial to match system requirements.

- 3-Speed Settings (Low, Medium, High)
- Infinitely variable fixed speed settings between Min/Max
- Pre-marked settings on dial to equal 003 & 006 performance

# Submittal Data Information Taco 006e3™ ECM Circulator

Submittal Data # 101-191  
Supersedes: 12/13/17

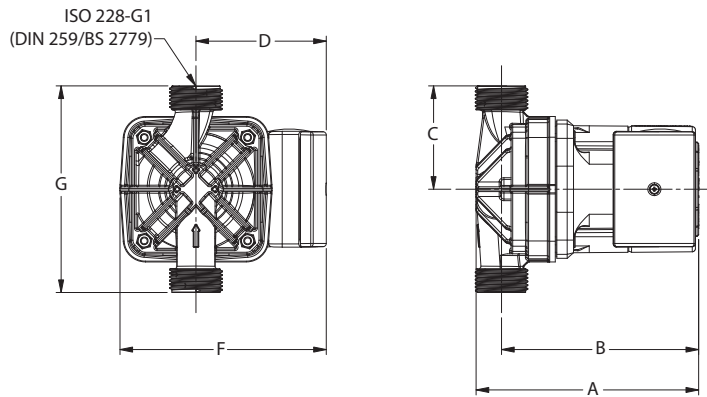
Effective: 02/27/18

## Specifications

- Maximum Shut-off Head: 13 feet
- Maximum Flow: 11 gpm
- Maximum Operating Pressure: 150 psi (10 bar)
- Maximum Water Temp: 203°F (95°C)
- Minimum Water Temp: 36°F (2°C)
- Electrical Specifications:
  - Voltage: 120V, 60 Hz
  - Single phase
  - Max. Operating Power: 44W
  - Max. AMP Rating: 0.54
- Equipped with a composite casing designed for open loop potable water systems and closed hydronic systems
- Not suitable for chilled water
- Taco circulator pumps are for indoor use only
- Acceptable for use with water or maximum of 50% water/glycol solution in closed hydronic systems

## Applications

The 006e3 is a high-efficiency wet rotor circulator with an ECM permanent magnet motor. It is designed for use in open loop domestic hot water recirculation or closed hydronic systems. A simple 3-setting speed dial allows you to match circulator performance to system requirements. The 006e3LC model includes a 6' power cord.



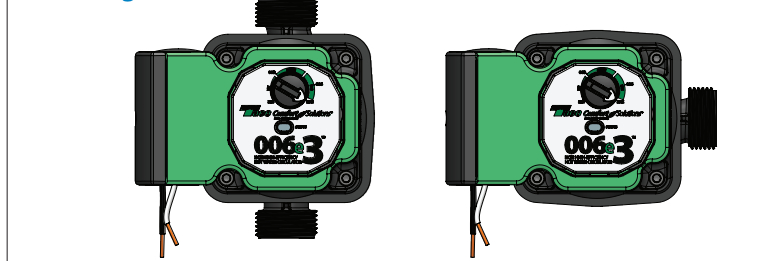
## Pump Dimensions & Weights

Model Number (Part Number)	A		B		C		D		F		G		Ship Wt.	
	in.	mm	in.	mm	in.	mm	in.	mm	in.	mm	in.	mm	lbs.	Kg
<b>006e3</b> (VM1212-DY1-UP2A00)	5-1/2	140	4-7/8	124	2-5/8	67	3-1/4	82	5-1/8	130	5-1/8	130	3.5	1.6
<b>006e3LC</b> (VM1212-DY1-UP2A01)	5-1/2	140	4-7/8	124	2-5/8	67	3-1/4	82	5-1/8	130	5-1/8	130	3.5	1.6

## Materials of Construction

Casing: .....Composite  
 Stator Housing: .....Composite  
 Cartridge:.....Composite  
 Impeller: .....Composite  
 Shaft:.....Ceramic  
 Bearings:.....Carbon  
 Thrust Bearing:.....Ceramic  
 O-Ring & Gaskets:.....EPDM

## Mounting Positions



## Electrical Data

Model	Volts	Hz	Ph	Max.Amps	Watts	RPM
All Models	120	60	1	.54	44	1440 - 3720
Motor Type	ECM, Permanent Magnet, Thermally Protected					



Taco Inc., 1160 Cranston Street, Cranston, RI 02920 / (401) 942-8000 / Fax (401) 942-2360  
 Taco (Canada) Ltd., 8450 Lawson Road, Unit #3, Milton, Ontario L9T 0J8 / (905) 564-9422 / Fax (905) 564-9436