

GENPAD™



GENPAD LC™



The Professional's Choice

GENPAD[®]
by DiversiTech

GENERAC

GENPAD™ AIR-COOLED



Sales growth in residential, distribution and e-commerce channels has shown GenPads to be the preferred generator pad across North America.

Perfectly fits all Generac units through 22kW including the Honeywell brand

Faster and less expensive than pouring a pad with a more professional appearance than building a box, using an HVAC pad or installing on rocks

Half the weight and more than twice the strength of standard concrete pads

4" GenPad Hurricane is rated for use in coastal areas

Warrantied against defects in manufacturing, workmanship and materials

For greater security and stability, GenPads ship with all hardware needed to bolt the generator to the pads

Available on pallets of ten and five

GENPAD[®]
by DiversiTECH[®]

GENERAC[®]

GENPAD **LC**™ *LIQUID-COOLED*

Models specifically designed for RG/HG gas generators

10000005771 for **32-60kW**

10000044173 for **22-30kW**

No need to keep extra stock – GenPad LCs can be ordered one at a time as needed

Allows installations to be completed in a single visit, saving time and money for the installer and the homeowner

Everything needed for the installation – pad plus mounting hardware – arrives on a single pallet

Simply install upon flat, level ground



GENPAD®
by DiversiTech®

GENERAC

Increase Customer Loyalty

Help your customers to find all that they need for generator installations in one place

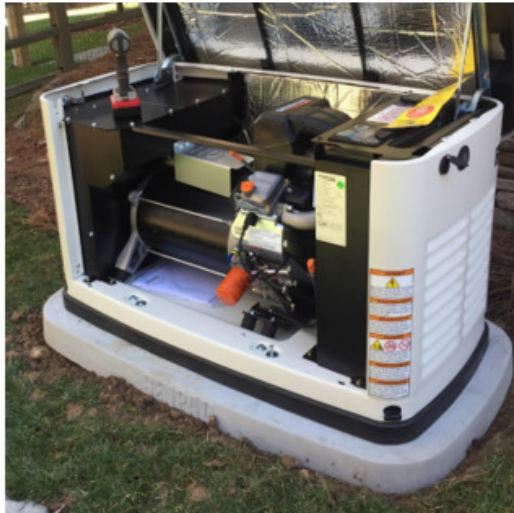
Easy to display and needs no floor space – simply place a GenPad beneath one of your generators

Provide everything needed for installation on one pallet



GENPAD[®]
by DiversiTech[®]

GENERAC

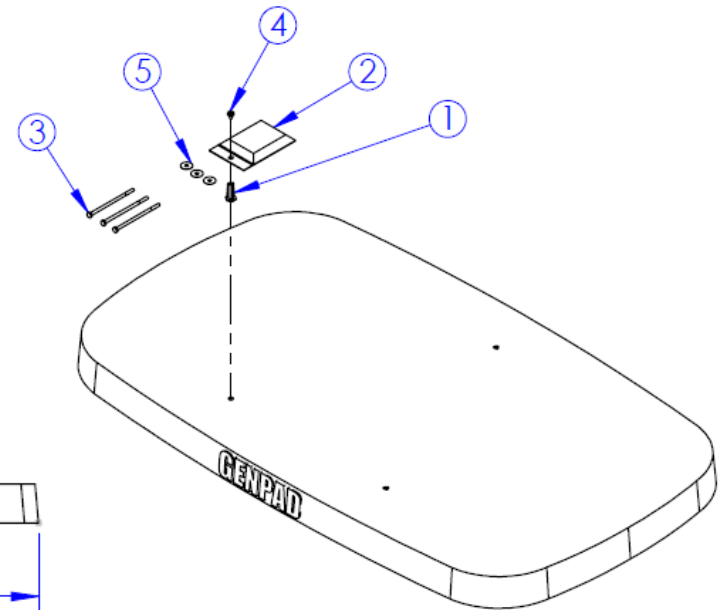
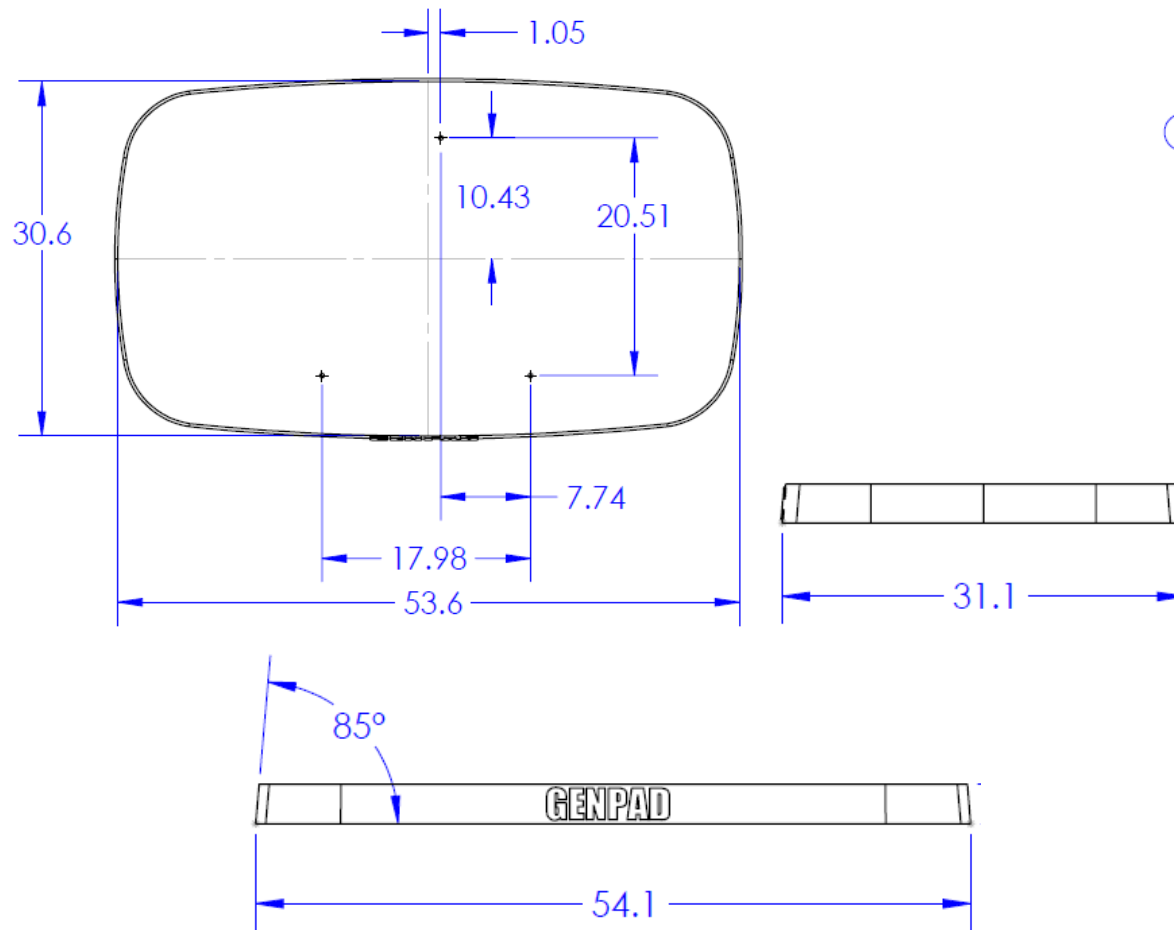


GENPAD[®]
by DiversiTech

GENERAC

Technical Specifications

GENPAD



ITEM	QTY.	DESCRIPTION
1	3	THREADED INSERT, ZINC, 1/4-20 X 1 1/4
2	1	PLASTIC BAG
3	3	ZINC PLATED STEEL HEX HEAD CAP SCREW 1/4-20 X 5
4	1	PUSH IN PLUG, BAG RETAINING
5	3	FENDER WASHER, 1/4"

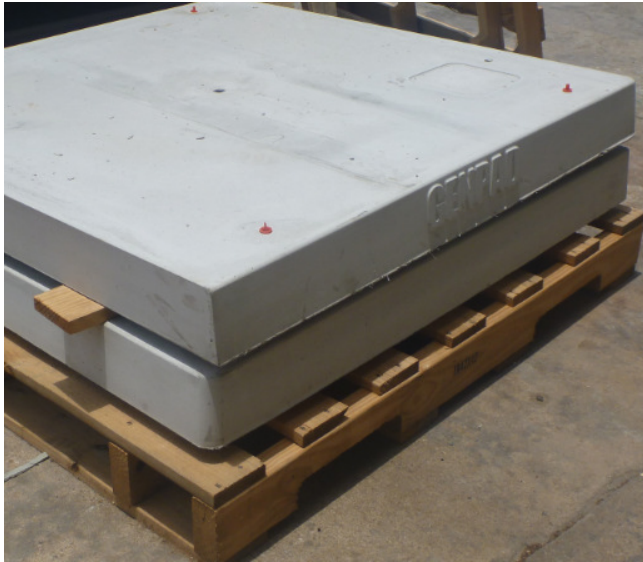


GENPAD[®]
by DiversiTech[®]

GENERAC

GENPAD LC™

HOW IT WORKS



The GenPad LC ships as two pad halves, complete with mounting hardware to secure the generator into place



Use the knockout which matches the location where cabling runs into the generator

GENPAD[®]
by DiversiTech[®]

GENERAC

GENPAD **LC**™

HOW IT WORKS



Set the pad halves on flat, packed ground or with a bed of sand below it.

Guide lines in the pad indicate which ends should be joined to form the center of the pad.



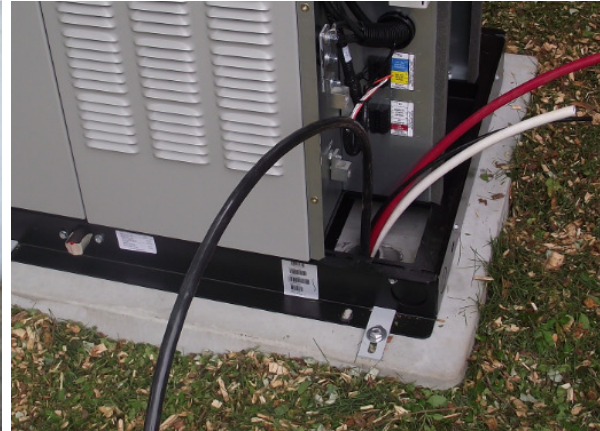
Ensure that both pad halves are level.

GENPAD®
by DiversiTech®

GENERAC®

GENPAD LC™

HOW IT WORKS



Guide lines in the GenPad LC ensure that the generator will be positioned perfectly the first time



Secure the frame of the generator into the inserts within the GenPad LC

The generator is securely in place and pad halves will not separate

GENPAD[®]
by DiversiTECH[®]

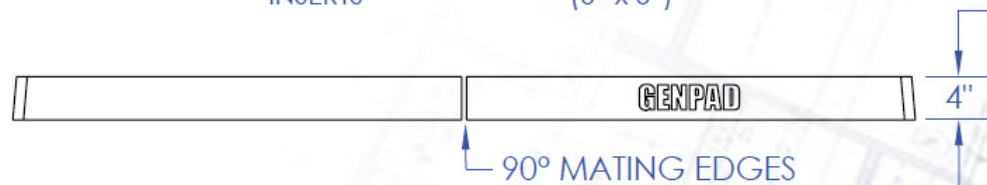
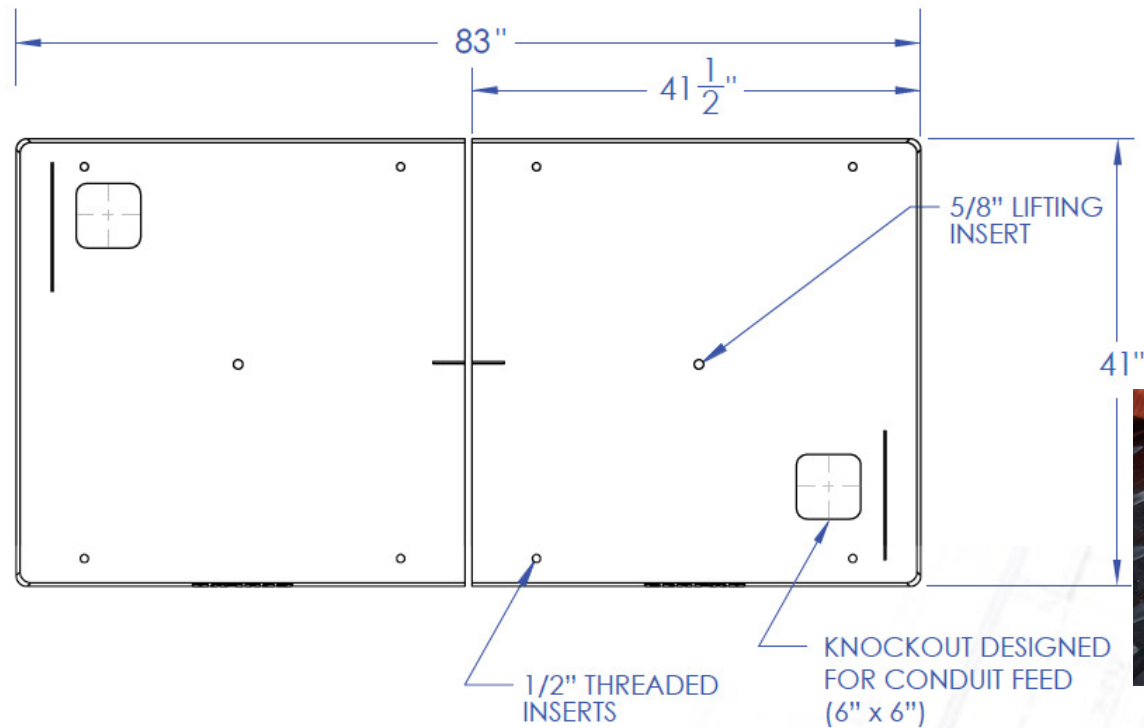
GENERAC[®]

Technical Specifications

GENPAD^{LC}

GENERAC PART #
10000005771

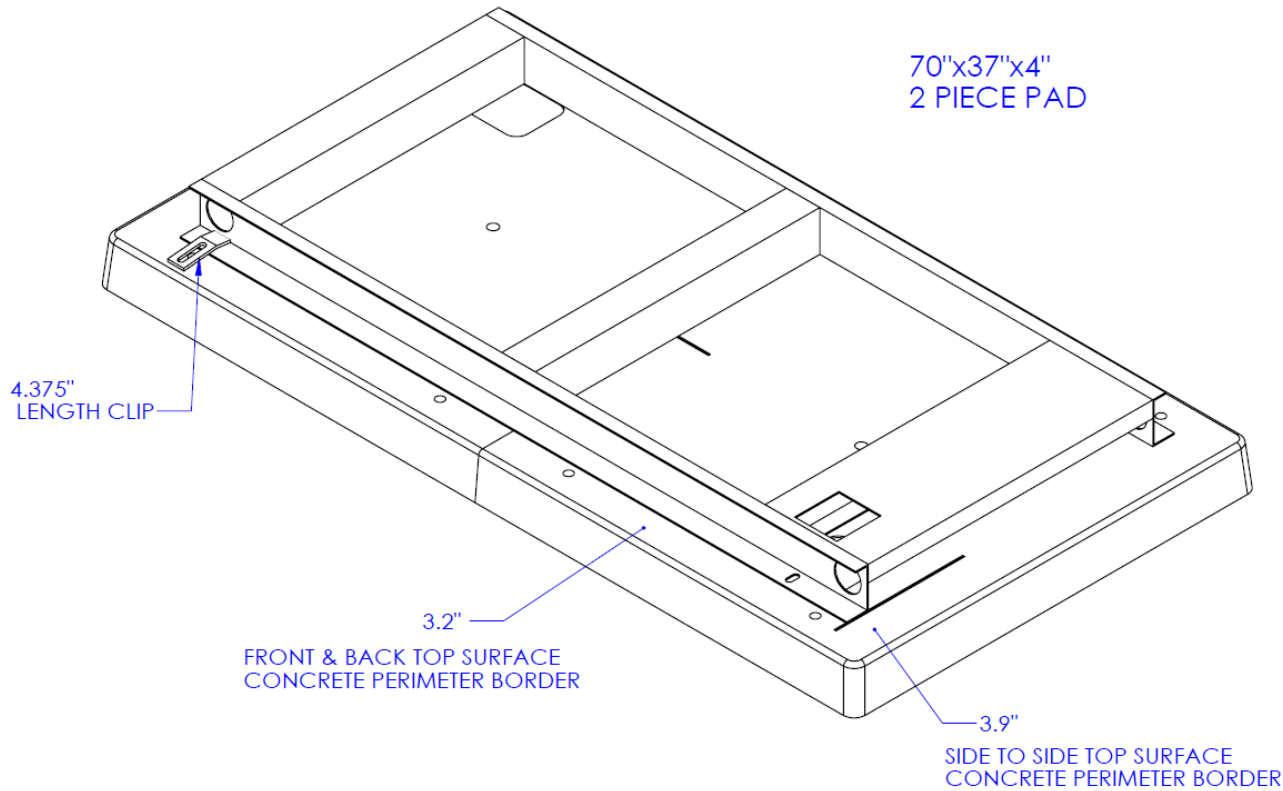
32-60kW
RG | HG Series



GENERAC

Technical Specifications

GENPAD^{LC}



GENERAC PART #
10000044173

22-30kW
RG | HG Series
Gas generators



GENERAC

GENPAD **LC**™

HOW IT WORKS



GENPAD®
by DiversiTech

GENERAC