



CATALOG NUMBER: 500-009BZ	
JOB NAME:	
CUSTOMER NAME:	
NOTES:	TYPE:
	DATE:

FEATURES AND SPECIFICATIONS

**SITE LIGHTING
ACCESSORIES
DROP IN POLE TOP FLOOD LIGHTING BRACKET**

Construction:
Die Cast

Mounting:
Square Poles

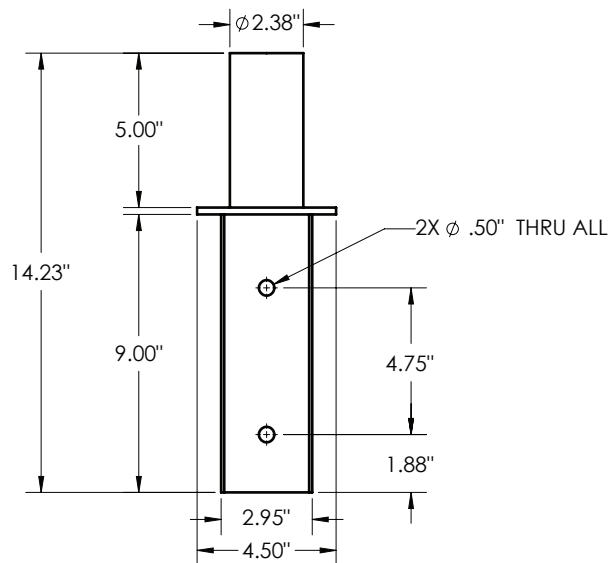
Specifications:
Overall height: 14.23" (36.14 cm)
Weight: 9 lbs. / 4.08 kg.



ORDERING INFORMATION

CATALOG #	DESCRIPTION	FINISH	LBS.
500-009BZ	Drop In Tenon Adapter for 4" Square Poles	Bronze	9

DIMENSIONS



Actual performance can vary depending on operating conditions. Specifications are subject to change without notice.

ATLAS LIGHTING PRODUCTS, INC.

PO BOX 2348 | BURLINGTON, NC 27216
800-849-8485 | FAX: 1-855-847-2794 | www.atlasled.com