

Infiniti™ K Series Tankless (Condensing) Gas Water Heater Outdoor Models



The Infiniti™ K Series Tankless Condensing Water Heater Models feature:

- **ENERGY STAR® Qualified** – Meet or exceed requirements for ENERGY STAR® per the latest ENERGY STAR® criteria revision, as well as most utility rebate programs.
- **SRT™ Scale Reduction Technology** – Significantly reduces the incidence of scale build-up known to result in poor performance, additional maintenance, and pre-mature component or product failure.
- **STEADISET™ Technology** – Virtually eliminates cold water sandwich without the need for an internal buffer tank and recirculation pump.
- **Self-Calibrating Fan and Gas Valve** – Simple combustion management system uses self-calibrating sensors to automatically configure air fuel ratio for flue length, gas type, and altitude - without a combustion analyzer.
- **Modulation** – Segmented burner with 22:1 turn down ratio.
- **Built-In Digital Control** – (100-140°F) (38°C-60°C).
- **Active Bypass** – Achieves superior temperature stability (±2°F) (±1°C).
- **External Recirculation Pump Wiring** – Installed. Built-in controls provides precise operation of external recirculation pump with, or with out, additional external temperature sensor (Recirculation pump sold separately).
- **Gas Connection Flexibility** – 1/2" (13mm), 3/4" (19mm), or 1" (25mm) connections permitted (refer to I&O manual for details).
- **Inlet Water Filter** – External access for easy maintenance.
- **Space Saving Installation** – Compact size for tight installations.
- **Built In Freeze Protection** – Protects unit from freezing. Activates automatically when the water heater is plugged in.
- **Easy LP Gas Field Convertibility** – Purchase of additional kit NOT required to convert from NG to LP.
- **Heat Exchanger** – Primary Copper with Secondary Stainless Steel (316L) heat exchanger helps maximize life and minimize scale build-up.
- **Flushing condensate trap.**
- **Complies with the latest Ultra-Low NOx requirement (14 ng/J NOx limit).**

FEATURING:



15-Year Limited Residential Heat Exchanger Warranty.

5-Year Limited Parts Warranty.

For more information on warranty, please visit www.bradfordwhite.com
For products installed in USA, Canada, and Puerto Rico. Some states do not allow limitations on warranties.
See complete copy of the warranty included with the heater.

Infiniti™ K Series Tankless Water Heater

Infiniti™ K Series Outdoor Model

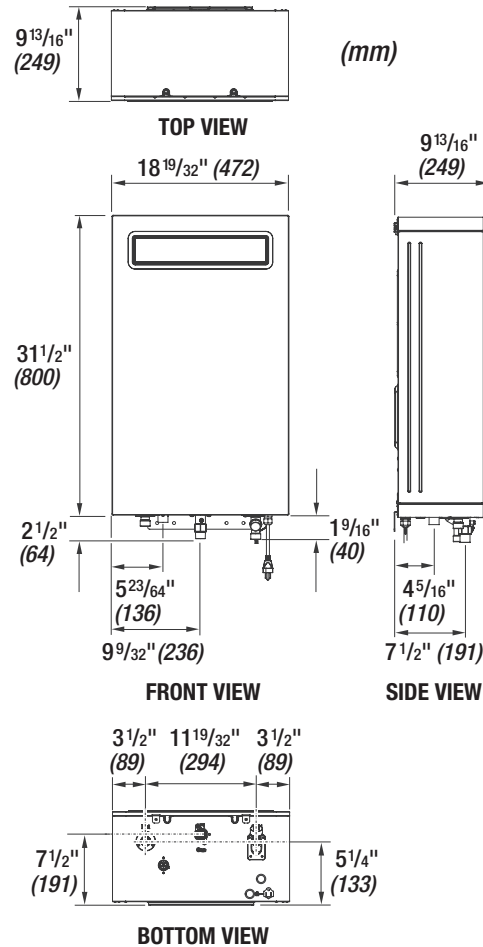
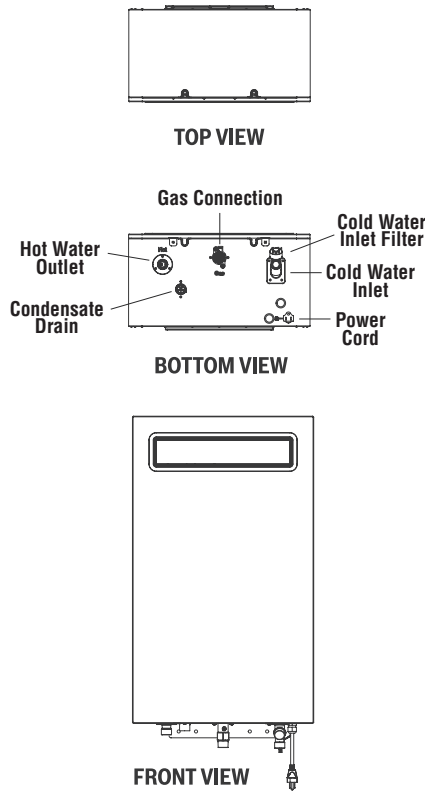
NATURAL GAS AND LIQUID PROPANE GAS

Model Number	Input (BTU/Hr.)		GPM Flow Rate at °F Temperature Rise			Uniform Energy Factor	Minimum Water Flow	Maximum Temperature Setting	Approx. Shipping Weight lbs.
	Nat.	LP	45°F	75°F	90°F				
RTG-K-160-N2	9,000 - 160,000	17,000 - 160,000	7.0	4.2	3.5	0.92	0.45	140°F	79
RTG-K-199-N2	9,000 - 199,000	17,000 - 199,000	8.7	5.2	4.4	0.96	0.45	140°F	79

Model Number	Input (kW)		LPM Flow Rate at °C Temperature Rise			Uniform Energy Factor	Minimum Water Flow	Maximum Temperature Setting	Approx. Shipping Weight kg.
	Nat.	LP	25°C	41.7°C	50°C				
RTG-K-160-N2	2.6 - 46.64	5.0 - 46.64	26.7	15.9	13.2	0.92	1.7	60°C	36
RTG-K-199-N2	2.6 - 58.3	5.0 - 58.3	32.9	19.6	16.6	0.96	1.7	60°C	36

Propane (LP) Models are not available for order from the factory. All Natural Gas products shipped can be converted to Propane (LP) without the purchase of an additional kit.

Requires an electrical power supply from a 120VAC 60Hz., properly rated receptacle and must be properly grounded. Power supply cord provided.



General

All potable water connections are 3/4" (19mm) NPT. Gas connections are 3/4" (19mm). Bradford White recommends consulting the Installation and Operations Manual (IOM) for proper gas line sizing based upon the installation specifics.

Dimensions and specifications subject to change without notice in accordance with our policy of continuous product improvement.

Toxic chemicals, such as those used for boiler treatment, shall NEVER be introduced into the potable side of this system. The potable side may NEVER be connected to any existing heating system or component(s) previously used with a non-potable water heating appliance.



For field service, contact your professional installer or local Bradford White sales representative.

Sales 800-523-2931 ■ Fax 215-641-1612

Technical Support 800-334-3393 ■ Email techserv@bradfordwhite.com

Warranty 800-531-2111 ■ Email warranty@bradfordwhite.com

International: Telephone 1-215-641-9400 ■ Email international@bradfordwhite.com / www.bradfordwhite.com

Built to be the Best™