

94XLF Series

PEX End Standard Port Ball Valve

LEAD FREE

SUBMITTAL SHEET

"Apollo" Flow Controls



"Apollo" PEX



Job Name:	
Job Location:	
Engineer:	
Contractor:	
Tag:	
PO#:	
Rep:	
Wholesale Dist.:	

DESCRIPTION

The Apollo® International 94XLF Lead Free* DZR forged brass ball valves combine reliable operation with maximum economy. Ideal for plumbing and heating applications including potable water. Valves are ANSI 3rd party lead free* certified and listed to NSF 14, NSF 61 and NSF 372.

FEATURES

- Lead Free* DZR materials and certification
- ASTM F1807 PEX design
- White Handle Grip Identifies Lead Free Construction
- Standard Port design
- Double O-ring stem seal
- Blow-out Proof Stem Design
- Silicone Free assembly

APPROVALS

- NSF/ANSI 61 Water Quality
- NSF/ANSI 372 Lead Free
- NSF/ANSI 14
- ASTM F1807 Conformance

Refer to PEX Piping Guidelines

STANDARD MATERIALS LIST

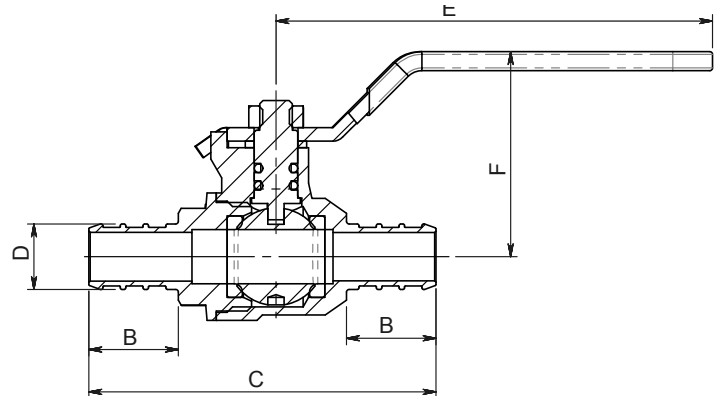
Body	Lead Free DZR Brass
Retainer	Lead Free DZR Brass
Ball	Lead Free DZR Brass
Stem	Brass C36000
Seats	PTFE
Stem O-Ring Seals	EPDM
Gland Nut	Brass, C37700
Handle	Steel, plated (with PVC grip)
Handle Nut	Stainless Steel

PERFORMANCE RATING†

- Valve Design Rating:
160 psi at 73°F
100 psi at 180°F
80 psi at 200°F
- Ball Valve Rating (valve only):
400 CWP

DIMENSIONS

MODEL NUMBER	SIZE (IN.)	DIMENSIONS (IN.)					WT. (LB.)
		B	C	D	E	F	
94XLF-103-01	1/2	0.65	2.52	.47	3.17	1.49	.25
94XLF-104-01	3/4	0.65	2.62	.67	3.17	1.57	.41
94XLF-105-01	1	0.80	2.91	.86	3.17	1.57	.57



*LEAD FREE: The wetted surfaces of this product shall contain no more than 0.25% lead by weighted average. Complies with Federal Public Law III-380. ANSI 3rd party approved and listed.

Customer Service (704) 841-6000
www.apolloflowcontrols.com

This specification is provided for reference only. Conbraco Industries Inc. reserves the right to change any portion of this specification without notice and without incurring obligation to make such changes to Conbraco products previously or subsequently sold. Please visit apolloflowcontrols.com for the most current information.

