

Type 1 Enclosures

Type 1 Screw Cover Enclosures - Painted & Galvanized Data Sheet

Type 1 Enclosures



Application

- Used as wiring boxes, junction and pull boxes
- Protects against contact with enclosed equipment

Construction

- Enclosure and cover are fabricated from code gauge steel or galvanized steel, (see table)
- Enclosure body has mounting holes on the back
- Enclosures are available with or without knockouts on the sides, top and bottom ends
- Cover is secured to the body with plated hex head combo screws
- Keyhole slots provided in the cover allow easy access to the inside without removing the screws
- #10-32 tapped hole provision for optional ground lug kit

Finish

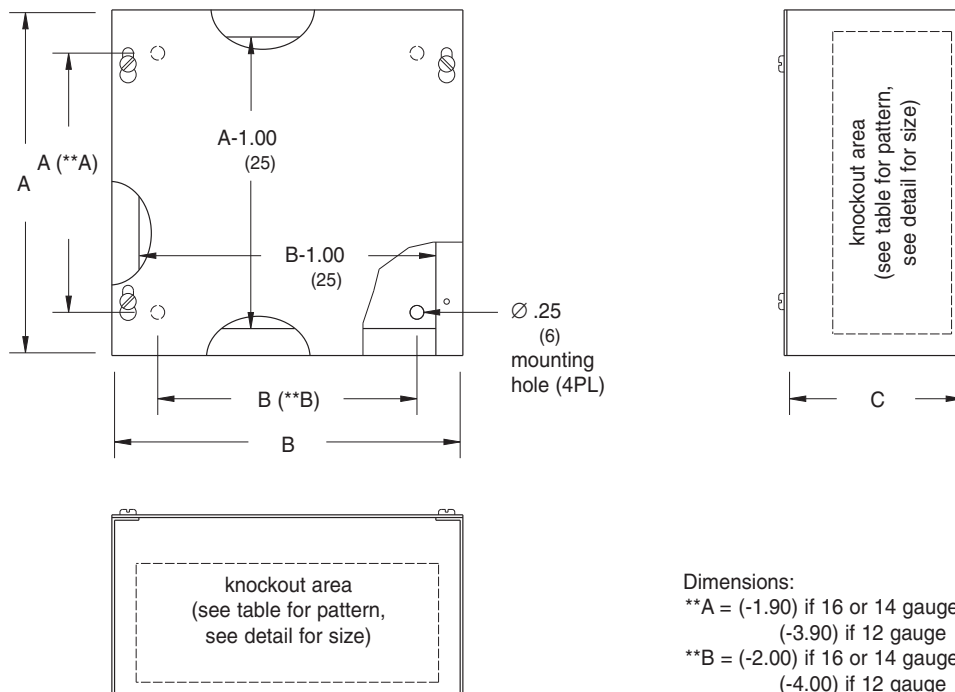
- Wash and phosphate undercoat or galvanized steel
- ANSI 61 gray acrylic electrocoat finish

Standards

- UL 50 listed, Type 1
- CSA C22.2 No. 40 certified, Type 1
- Conforms to NEMA standard for Type 1
- IEC 60529, IP30

Accessories

- Ground lug kit
- Touch-up paint
- See Accessories section



Dimensions:

- **A = (-1.90) if 16 or 14 gauge
(-3.90) if 12 gauge
- **B = (-2.00) if 16 or 14 gauge
(-4.00) if 12 gauge

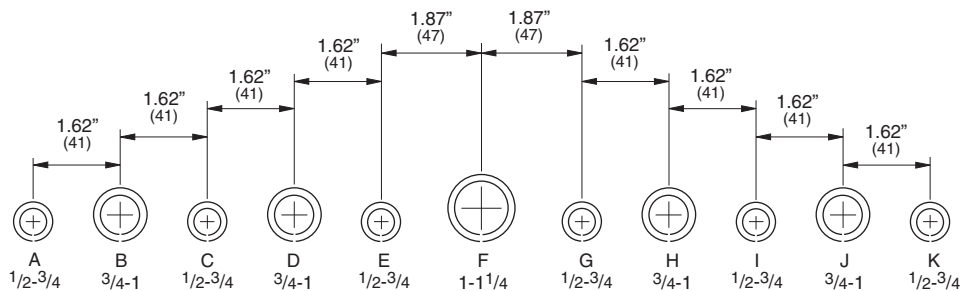
Notes: Cooper B-Line can provide special sizes, finishes and other modifications. Consult the factory for your special requirements.

Type 1 Enclosures

Type 1 Screw Cover Enclosures - Painted & Galvanized Catalog Number

Type 1 Enclosures

| Enclosure Catalog Number | | | | Enclosure Size | | Gauge | Knockout Pattern Each Side | Knockout Pattern Top & Bottom |
|--------------------------|-------------|------------|---------------|-------------------------------------|---------------|-------|-------------------------------|----------------------------------|
| Painted | | Galvanized | | Height x Width x Depth A x B x C | | | | |
| KO | No KO | KO | No KO | in. | mm | | | |
| 663 SC | 663 SC NK | 663 SCGV | 663 SCGV NK | 6.00x6.00x3.00 | 152x152x76 | 16 | (C D E) | (C D E) |
| 444 SC | 444 SC NK | 444 SCGV | 444 SCGV NK | 4.00x4.00x4.00 | 102x102x102 | 16 | (C D) | (C D) |
| 644 SC | 644 SC NK | 644 SCGV | 644 SCGV NK | 6.00x4.00x4.00 | 152x102x102 | 16 | (C D E) | (C D) |
| 664 SC | 664 SC NK | 664 SCGV | 664 SCGV NK | 6.00x6.00x4.00 | 152x152x102 | 16 | (C D E) | (C D E) |
| 864 SC | 864 SC NK | 864 SCGV | 864 SCGV NK | 8.00x6.00x4.00 | 203x152x102 | 16 | (G H I J) | (C D E) |
| 884 SC | 884 SC NK | 884 SCGV | 884 SCGV NK | 8.00x8.00x4.00 | 203x203x102 | 16 | (G H I J) | (G H I J) |
| 1084 SC | 1084 SC NK | 1084 SCGV | 1084 SCGV NK | 10.00x8.00x4.00 | 254x203x102 | 16 | (G H I J) | (G H I J) |
| 10104 SC | 10104 SC NK | 10104 SCGV | 10104 SCGV NK | 10.00x10.00x4.00 | 254x254x102 | 16 | (G H I J) | (G H I J) |
| 1264 SC | 1264 SC NK | 1264 SCGV | 1264 SCGV NK | 12.00x6.00x4.00 | 305x152x102 | 16 | (D E F G H) | (C D E) |
| 1284 SC | 1284 SC NK | 1284 SCGV | 1284 SCGV NK | 12.00x8.00x4.00 | 305x203x102 | 16 | (D E F G H) | (G H I J) |
| 12104 SC | 12104 SC NK | 12104 SCGV | 12104 SCGV NK | 12.00x10.00x4.00 | 305x254x102 | 16 | (D E F G H) | (D E F G H) |
| 12124 SC | 12124 SC NK | 12124 SCGV | 12124 SCGV NK | 12.00x12.00x4.00 | 305x305x102 | 16 | (D E F G H) | (D E F G H) |
| 15124 SC | 15124 SC NK | 15124 SCGV | 15124 SCGV NK | 15.00x12.00x4.00 | 381x305x102 | 16 | (C D E F G H I) | (D E F G H) |
| 15154 SC | 15154 SC NK | 15154 SCGV | 15154 SCGV NK | 15.00x15.00x4.00 | 381x381x102 | 16 | (C D E F G H I) | (C D E F G H I) |
| 16124 SC | 16124 SC NK | 16124 SCGV | 16124 SCGV NK | 16.00x12.00x4.00 | 406x305x102 | 16 | (C D E F G H I) | (D E F G H) |
| 16164 SC | 16164 SC NK | 16164 SCGV | 16164 SCGV NK | 16.00x16.00x4.00 | 406x406x102 | 16 | (C D E F G H I) | (C D E F G H I) |
| 18124 SC | 18124 SC NK | 18124 SCGV | 18124 SCGV NK | 18.00x12.00x4.00 | 457x305x102 | 16 | (B C D E F G H I J) | (D E F G H) |
| 18154 SC | 18154 SC NK | 18154 SCGV | 18154 SCGV NK | 18.00x15.00x4.00 | 457x381x102 | 16 | (B C D E F G H I J) | (C D E F G H I) |
| 18184 SC | 18184 SC NK | 18184 SCGV | 18184 SCGV NK | 18.00x18.00x4.00 | 457x457x102 | 16 | (B C D E F G H I J) | (B C D E F G H I J) |
| 24124 SC | 24124 SC NK | 24124 SCGV | 24124 SCGV NK | 24.00x12.00x4.00 | 610x305x102 | 16 | (B C D E F G H I J) | (D E F G H) |
| 24184 SC | 24184 SC NK | 24184 SCGV | 24184 SCGV NK | 24.00x18.00x4.00 | 610x457x102 | 16 | (B C D E F G H I J) | (B C D E F G H I J) |
| 24244 SC | 24244 SC NK | 24244 SCGV | 24244 SCGV NK | 24.00x24.00x4.00 | 610x610x102 | 14 | (B C D E F G H I J) | (B C D E F G H I J) |
| 30184 SC | 30184 SC NK | 30184 SCGV | 30184 SCGV NK | 30.00x18.00x4.00 | 762x457x102 | 16 | (B C D E F G H I J) | (B C D E F G H I J) |
| 30244 SC | 30244 SC NK | 30244 SCGV | 30244 SCGV NK | 30.00x24.00x4.00 | 762x610x102 | 14 | (B C D E F G H I J) | (B C D E F G H I J) |
| 36244 SC | 36244 SC NK | 36244 SCGV | 36244 SCGV NK | 36.00x24.00x4.00 | 914x762x102 | 14 | (B C D E F G H I J) | (B C D E F G H I J) |
| - | 30304 SC NK | - | 30304 SCGV NK | 30.00x30.00x4.00 | 762x762x102 | 12 | - | - |
| - | 36304 SC NK | - | 36304 SCGV NK | 36.00x30.00x4.00 | 914x762x102 | 12 | - | - |
| - | 36364 SC NK | - | 36364 SCGV NK | 36.00x36.00x4.00 | 914x914x102 | 12 | - | - |
| - | 48364 SC NK | - | 48364 SCGV NK | 48.00x36.00x4.00 | 1219x914x102 | 12 | - | - |
| - | 48484 SC NK | - | 48484 SCGV NK | 48.00x48.00x4.00 | 1219x1219x102 | 10 | - | - |



Conduit Sizes

Knockout Detail

Note: See table for applicable knockout pattern.

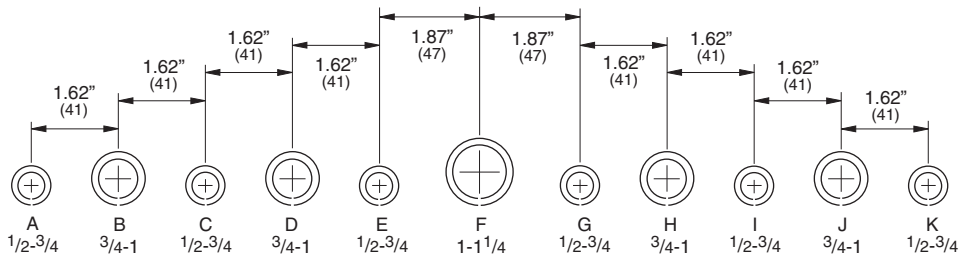
Notes: Dimensions are in inches. Millimeters shown are for reference only. Data subject to change without notice.

Type 1 Enclosures

Type 1 Screw Cover Enclosures - Painted & Galvanized Catalog Number

Type 1 Enclosures

| Enclosure Catalog Number | | | | Enclosure Size Height x Width x Depth A x B x C | | Gauge | Knockout Pattern | Knockout Pattern |
|--------------------------|-------------|------------|---------------|---|---------------|-------|---------------------|---------------------|
| Painted | | Galvanized | | in. | mm | | Each Side | Top & Bottom |
| KO | No KO | KO | No KO | | | | | |
| 666 SC | 666 SC NK | 666 SCGV | 666 SCGV NK | 6.00x6.00x6.00 | 152x152x152 | 16 | CDE | CDE |
| 866 SC | 866 SC NK | 866 SCGV | 866 SCGV NK | 8.00x6.00x6.00 | 203x152x152 | 16 | GHIJ | CDE |
| 886 SC | 886 SC NK | 886 SCGV | 886 SCGV NK | 8.00x8.00x6.00 | 203x203x152 | 16 | GHIJ | GHIJ |
| 1086 SC | 1086 SC NK | 1086 SCGV | 1086 SCGV NK | 10.00x8.00x6.00 | 254x203x152 | 16 | DEFGH | GHIJ |
| 10106 SC | 10106 SC NK | 10106 SCGV | 10106 SCGV NK | 10.00x10.00x6.00 | 254x254x152 | 16 | DEFGH | DEFGH |
| 1266 SC | 1266 SC NK | 1266 SCGV | 1266 SCGV NK | 12.00x6.00x6.00 | 305x152x152 | 16 | DEFGH | CDE |
| 1286 SC | 1286 SC NK | 1286 SCGV | 1286 SCGV NK | 12.00x8.00x6.00 | 305x203x152 | 16 | DEFGH | GHIJ |
| 12106 SC | 12106 SC NK | 12106 SCGV | 12106 SCGV NK | 12.00x10.00x6.00 | 305x254x152 | 16 | DEFGH | DEFGH |
| 12126 SC | 12126 SC NK | 12126 SCGV | 12126 SCGV NK | 12.00x12.00x6.00 | 305x305x152 | 16 | DEFGH | DEFGH |
| 15126 SC | 15126 SC NK | 15126 SCGV | 15126 SCGV NK | 15.00x12.00x6.00 | 381x305x152 | 16 | CDEFGHI | DEFGH |
| 15156 SC | 15156 SC NK | 15156 SCGV | 15156 SCGV NK | 15.00x15.00x6.00 | 381x381x152 | 16 | CDEFGHI | CDEFGHI |
| 16126 SC | 16126 SC NK | 16126 SCGV | 16126 SCGV NK | 16.00x12.00x6.00 | 406x305x152 | 16 | CDEFGHI | DEFGH |
| 16166 SC | 16166 SC NK | 16166 SCGV | 16166 SCGV NK | 16.00x16.00x6.00 | 406x406x152 | 16 | CDEFGHI | BCDEFGHIJ |
| 18126 SC | 18126 SC NK | 18126 SCGV | 18126 SCGV NK | 18.00x12.00x6.00 | 457x305x152 | 16 | BCDEFGHIJ | DEFGH |
| 18156 SC | 18156 SC NK | 18156 SCGV | 18156 SCGV NK | 18.00x15.00x6.00 | 457x381x152 | 16 | BCDEFGHIJ | CDEFGHI |
| 18186 SC | 18186 SC NK | 18186 SCGV | 18186 SCGV NK | 18.00x18.00x6.00 | 457x457x152 | 16 | BCDEFGHIJ | BCDEFGHIJ |
| 24126 SC | 24126 SC NK | 24126 SCGV | 24126 SCGV NK | 24.00x12.00x6.00 | 610x305x152 | 16 | BCDEFGHIJ | DEFGH |
| 24186 SC | 24186 SC NK | 24186 SCGV | 24186 SCGV NK | 24.00x18.00x6.00 | 610x457x152 | 16 | BCDEFGHIJ | BCDEFGHIJ |
| 24246 SC | 24246 SC NK | 24246 SCGV | 24246 SCGV NK | 24.00x24.00x6.00 | 610x610x152 | 14 | BCDEFGHIJ | BCDEFGHIJ |
| 30186 SC | 30186 SC NK | 30186 SCGV | 30186 SCGV NK | 30.00x18.00x6.00 | 762x457x152 | 16 | BCDEFGHIJ | BCDEFGHIJ |
| 30246 SC | 30246 SC NK | 30246 SCGV | 30246 SCGV NK | 30.00x24.00x6.00 | 762x610x152 | 14 | BCDEFGHIJ | BCDEFGHIJ |
| - | 30306 SC NK | - | 30306 SCGV NK | 30.00x30.00x6.00 | 762x762x152 | 12 | - | - |
| 36246 SC | 36246 SC NK | 36246 SCGV | 36246 SCGV NK | 36.00x24.00x6.00 | 914x310x152 | 14 | BCDEFGHIJ | BCDEFGHIJ |
| - | 36306 SC NK | - | 36306 SCGV NK | 36.00x30.00x6.00 | 914x762x152 | 12 | - | - |
| - | 36366 SC NK | - | 36366 SCGV NK | 36.00x36.00x6.00 | 914x914x152 | 12 | - | - |
| - | 48366 SC NK | - | 48366 SCGV NK | 48.00x36.00x6.00 | 1219x914x152 | 12 | - | - |
| - | 48486 SC NK | - | 48486 SCGV NK | 48.00x48.00x6.00 | 1219x1219x152 | 12 | - | - |
| 888 SC | 888 SC NK | 888 SCGV | 888 SCGV NK | 8.00x8.00x8.00 | 203x203x203 | 16 | GHIJ | GHIJ |
| 12128 SC | 12128 SC NK | 12128 SCGV | 12128 SCGV NK | 12.00x12.00x8.00 | 305x305x203 | 16 | DEFGH | DEFGH |
| 16128 SC | 16128 SC NK | 16128 SCGV | 16128 SCGV NK | 16.00x12.00x8.00 | 406x305x203 | 16 | CDEFGHI | DEFGH |
| 18128 SC | 18128 SC NK | 18128 SCGV | 18128 SCGV NK | 18.00x12.00x8.00 | 457x305x203 | 16 | BCDEFGHIJ | DEFGH |
| 18188 SC | 18188 SC NK | 18188 SCGV | 18188 SCGV NK | 18.00x18.00x8.00 | 457x457x203 | 16 | BCDEFGHIJ | BCDEFGHIJ |
| 24128 SC | 24128 SC NK | 24128 SCGV | 24128 SCGV NK | 24.00x12.00x8.00 | 610x305x203 | 16 | BCDEFGHIJ | DEFGH |
| 24188 SC | 24188 SC NK | 24188 SCGV | 24188 SCGV NK | 24.00x18.00x8.00 | 610x457x203 | 16 | BCDEFGHIJ | BCDEFGHIJ |
| 24248 SC | 24248 SC NK | 24248 SCGV | 24248 SCGV NK | 24.00x24.00x8.00 | 610x610x203 | 14 | BCDEFGHIJ | BCDEFGHIJ |
| 30248 SC | 30248 SC NK | 30248 SCGV | 30248 SCGV NK | 30.00x24.00x8.00 | 762x610x203 | 14 | BCDEFGHIJ | BCDEFGHIJ |
| - | 30308 SC NK | - | 30308 SCGV NK | 30.00x30.00x8.00 | 762x762x203 | 12 | - | - |
| 36248 SC | 36248 SC NK | 36248 SCGV | 36248 SCGV NK | 36.00x24.00x8.00 | 914x610x203 | 14 | BCDEFGHIJ | BCDEFGHIJ |



Conduit Sizes Knockout Detail

Note: See table for applicable knockout pattern.

Notes: Dimensions are in inches. Millimeters shown are for reference only. Data subject to change without notice.

Type 1 Enclosures

Type 1 Screw Cover Enclosures - Painted & Galvanized Catalog Number

Type 1 Enclosures

| Enclosure Catalog Number | | | | Enclosure Size | | Gauge | Knockout Pattern | Knockout Pattern |
|--------------------------|--------------|-------------|----------------|-------------------------------------|-------------|-------|---------------------|---------------------|
| Painted | | Galvanized | | Height x Width x Depth A x B x C | | | | |
| KO | No KO | KO | No KO | in. | mm | | | |
| 121210 SC | 121210 SC NK | 121210 SCGV | 121210 SCGV NK | 12.00x12.00x10.00 | 305x305x254 | 16 | (D E F G H) | (D E F G H) |
| 181210 SC | 181210 SC NK | 181210 SCGV | 181210 SCGV NK | 18.00x12.00x10.00 | 457x305x254 | 16 | (B C D E F G H I J) | (D E F G H) |
| 181810 SC | 181810 SC NK | 181810 SCGV | 181810 SCGV NK | 18.00x18.00x10.00 | 457x457x254 | 16 | (B C D E F G H I J) | (B C D E F G H I J) |
| 241210 SC | 241210 SC NK | 241210 SCGV | 241210 SCGV NK | 24.00x12.00x10.00 | 610x305x254 | 16 | (B C D E F G H I J) | (D E F G H) |
| 241810 SC | 241810 SC NK | 241810 SCGV | 241810 SCGV NK | 24.00x18.00x10.00 | 610x457x254 | 16 | (B C D E F G H I J) | (B C D E F G H I J) |
| 242410 SC | 242410 SC NK | 242410 SCGV | 242410 SCGV NK | 24.00x24.00x10.00 | 610x610x254 | 14 | (B C D E F G H I J) | (B C D E F G H I J) |
| 302410 SC | 302410 SC NK | 302410 SCGV | 302410 SCGV NK | 30.00x24.00x10.00 | 762x610x254 | 14 | (B C D E F G H I J) | (B C D E F G H I J) |
| - | 303010 SC NK | - | 303010 SCGV NK | 30.00x30.00x10.00 | 762x762x254 | 12 | - | - |
| 362410 SC | 362410 SC NK | 362410 SCGV | 362410 SCGV NK | 36.00x24.00x10.00 | 914x610x254 | 14 | (B C D E F G H I J) | (B C D E F G H I J) |
| 181812 SC | 181812 SC NK | 181812 SCGV | 181812 SCGV NK | 18.00x18.00x12.00 | 457x457x305 | 16 | (B C D E F G H I J) | (B C D E F G H I J) |
| 241212 SC | 241212 SC NK | 241212 SCGV | 241212 SCGV NK | 24.00x12.00x12.00 | 610x305x305 | 16 | (B C D E F G H I J) | (D E F G H) |
| 241812 SC | 241812 SC NK | 241812 SCGV | 241812 SCGV NK | 24.00x18.00x12.00 | 610x457x305 | 16 | (B C D E F G H I J) | (B C D E F G H I J) |
| 242412 SC | 242412 SC NK | 242412 SCGV | 242412 SCGV NK | 24.00x24.00x12.00 | 610x610x305 | 14 | (B C D E F G H I J) | (B C D E F G H I J) |
| 302412 SC | 302412 SC NK | 302412 SCGV | 302412 SCGV NK | 30.00x24.00x12.00 | 762x610x305 | 14 | (B C D E F G H I J) | (B C D E F G H I J) |
| - | 303012 SC NK | - | 303012 SCGV NK | 30.00x30.00x12.00 | 762x762x305 | 12 | - | - |
| 362412 SC | 362412 SC NK | 362412 SCGV | 362412 SCGV NK | 36.00x24.00x12.00 | 914x610x305 | 14 | (B C D E F G H I J) | (B C D E F G H I J) |
| - | 363612 SC NK | - | 363612 SCGV NK | 36.00x36.00x12.00 | 914x914x305 | 12 | - | - |

Type 1 Flush & Surface Covers - Painted & Galvanized Catalog Number

| Optional Flush Covers | | Flush Cover Size | | Fits Enclosure | | Gauge | Replacement Surface Covers | | Surface Cover Size | | Fits Enclosure | | Gauge | |
|-----------------------|------------|------------------|---------|----------------|---------|-------|----------------------------|------------|--------------------|---------|----------------|---------|-------|----|
| Catalog Number | | in. | mm | A x B | | | Catalog Number | Painted | Galvanized | in. | mm | A x B | | |
| Painted | Galvanized | | | in. | mm | | | | | | | in. | | mm |
| 44 SCF | 44 SCFGV | 5.50x5.50 | 140x140 | 4.00x4.00 | 102x102 | 16 | 44 SCS | 44 SCSGV | 4.09x4.09 | 104x104 | 4.00x4.00 | 102x102 | 16 | |
| 64 SCF | 64 SCFGV | 7.50x5.50 | 191x140 | 6.00x4.00 | 152x102 | 16 | 64 SCS | 64 SCSGV | 6.09x4.09 | 155x104 | 6.00x4.00 | 152x102 | 16 | |
| 66 SCF | 66 SCFGV | 7.50x7.50 | 191x191 | 6.00x6.00 | 152x152 | 16 | 66 SCS | 66 SCSGV | 6.09x6.09 | 155x155 | 6.00x6.00 | 152x152 | 16 | |
| 86 SCF | 86 SCFGV | 9.50x7.50 | 241x191 | 8.00x6.00 | 203x152 | 16 | 86 SCS | 86 SCSGV | 8.09x6.09 | 205x155 | 8.00x6.00 | 203x152 | 16 | |
| 88 SCF | 88 SCFGV | 9.50x9.50 | 241x241 | 8.00x8.00 | 203x203 | 16 | 88 SCS | 88 SCSGV | 8.09x8.09 | 205x205 | 8.00x8.00 | 203x203 | 16 | |
| 108 SCF | 108 SCFGV | 11.50x9.50 | 292x241 | 10.00x8.00 | 254x203 | 16 | 108 SCS | 108 SCSGV | 10.09x8.09 | 256x205 | 10.00x8.00 | 254x203 | 16 | |
| 1010 SCF | 1010 SCFGV | 11.50x11.50 | 292x292 | 10.00x10.00 | 254x254 | 16 | 1010 SCS | 1010 SCSGV | 10.09x10.09 | 256x256 | 10.00x10.00 | 254x254 | 16 | |
| 126 SCF | 126 SCFGV | 13.50x7.50 | 343x191 | 12.00x6.00 | 305x152 | 16 | 126 SCS | 126 SCSGV | 12.09x6.09 | 307x155 | 12.00x6.00 | 305x152 | 16 | |
| 128 SCF | 128 SCFGV | 13.50x11.50 | 343x241 | 12.00x8.00 | 305x203 | 16 | 128 SCS | 128 SCSGV | 12.09x8.09 | 307x205 | 12.00x8.00 | 305x203 | 16 | |
| 1210 SCF | 1210 SCFGV | 13.50x11.50 | 343x292 | 12.00x10.00 | 305x254 | 16 | 1210 SCS | 1210 SCSGV | 12.09x10.09 | 307x256 | 12.00x10.00 | 305x254 | 16 | |
| 1212 SCF | 1212 SCFGV | 13.50x13.50 | 343x343 | 12.00x12.00 | 305x305 | 16 | 1212 SCS | 1212 SCSGV | 12.09x12.09 | 307x307 | 12.00x12.00 | 305x305 | 16 | |
| 1612 SCF | 1612 SCFGV | 17.50x13.50 | 445x343 | 16.00x12.00 | 406x305 | 14 | 1612 SCS | 1612 SCSGV | 16.09x12.09 | 409x307 | 16.00x12.00 | 406x305 | 16 | |
| 1616 SCF | 1616 SCFGV | 17.50x17.50 | 445x445 | 16.00x16.00 | 406x406 | 14 | 1616 SCS | 1616 SCSGV | 16.09x16.09 | 409x409 | 16.00x16.00 | 406x406 | 16 | |
| 1812 SCF | 1812 SCFGV | 19.50x13.50 | 495x343 | 18.00x12.00 | 457x305 | 14 | 1812 SCS | 1812 SCSGV | 18.09x12.09 | 459x307 | 18.00x12.00 | 457x305 | 16 | |
| 1815 SCF | 1815 SCFGV | 19.50x16.50 | 495x419 | 18.00x15.00 | 457x381 | 14 | 1815 SCS | 1815 SCSGV | 18.09x15.09 | 459x383 | 18.00x15.00 | 457x381 | 16 | |
| 1818 SCF | 1818 SCFGV | 19.50x19.50 | 495x495 | 18.00x18.00 | 457x457 | 14 | 1818 SCS | 1818 SCSGV | 18.09x18.09 | 459x459 | 18.00x18.00 | 457x457 | 16 | |
| 2412 SCF | 2412 SCFGV | 25.50x13.50 | 648x343 | 24.00x12.00 | 610x305 | 14 | 2412 SCS | 2412 SCSGV | 24.09x12.09 | 612x307 | 24.00x12.00 | 610x305 | 16 | |
| 2418 SCF | 2418 SCFGV | 25.50x19.50 | 648x495 | 24.00x18.00 | 610x457 | 12 | 2418 SCS | 2418 SCSGV | 24.09x18.09 | 612x459 | 24.00x18.00 | 610x457 | 14 | |
| 2424 SCF | 2424 SCFGV | 25.50x24.50 | 648x622 | 24.00x24.00 | 610x610 | 12 | 2424 SCS | 2424 SCSGV | 24.09x24.09 | 612x612 | 24.00x24.00 | 610x610 | 14 | |

Notes: Dimensions are in inches. Millimeters shown are for reference only. Data subject to change without notice.