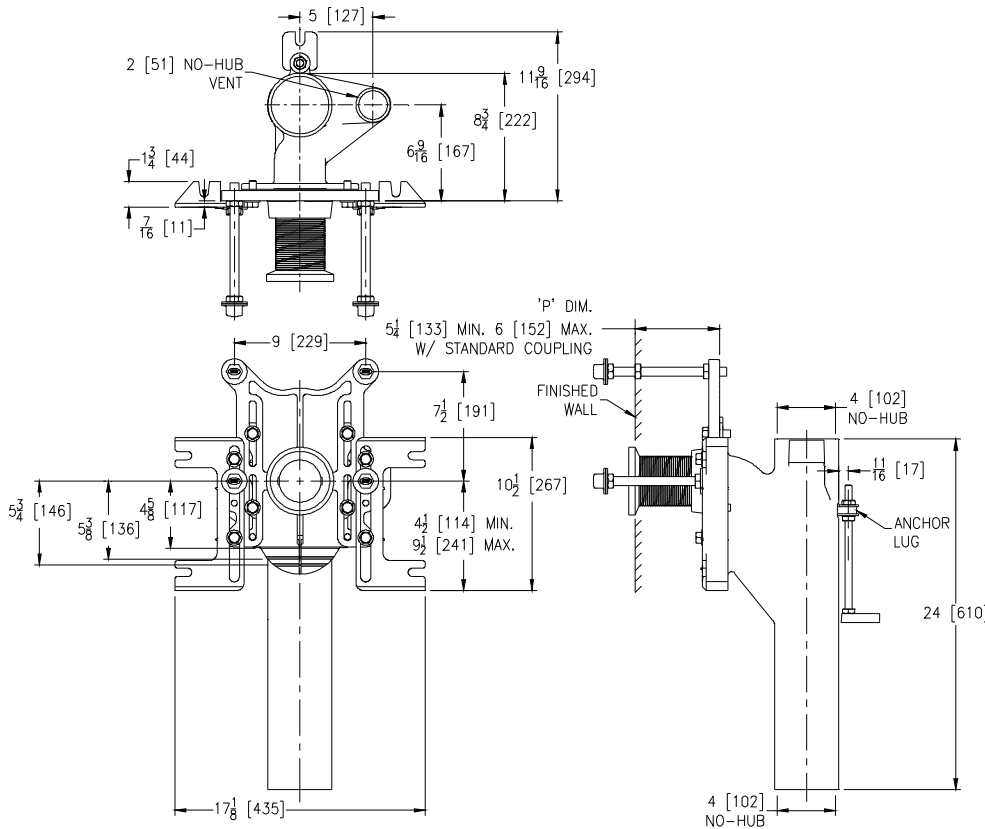




Z1202-N4

EZCARRY® ADJUSTABLE VERTICAL HIGH PERFORMANCE SIPHON JET NO-HUB WATER CLOSET CARRIER SYSTEM

Dimensional Data (inches and [mm]) are Subject to Manufacturing Tolerances and Change Without Notice



| Product Number | Approx. Wt. lbs [kg] |
|----------------|----------------------|
| Z1202-N4 | 65 [29] |

Note:

1. Z coupling, Min. 'P' Dim. Obtainable=2 [51]
ZQ coupling, Min. 'P' Dim. Obtainable=5 [127]
2. Feet bolted to floor using min. 1/2 [13] dia. anchors.
3. Rear anchor foot required for secure installation.
4. 2 [51] No-Hub vent connection regularly furnished on right hand side. Left hand available when specified (Suffix -VL)
5. Auxiliary inlet available right (-JR) or left (-JL) or both sides (-JJ) when specified.

ENGINEERING SPECIFICATION: ZURN Z1202-N4

EZCarry® vertical siphon jet water closet carrier system with high performance waterway and 4" [102mm] no-hub connections. System includes Dura-Coated cast iron main fitting with hydro-mechanically optimized sweep and extended 2" [51mm] vent, adjustable gasketed faceplate, universal floor mounted pre-fab slotted foot supports, heavy-duty 1/2" [13mm] rear anchor tie down, fixture bolts, trim, stud protectors, bonded "Neo-Seal" gasket, and corrosion resistant, adjustable 3" [76mm] dia. X 6" [152mm] coupling with integral test cap designed to increase flow velocity and line carry. EZCarry® system complies with the requirements of ASME A112.6.1M up to a 500 lbs [227 kg] static load rating.

OPTIONS (Check/specify appropriate options)

Z1202-N4 4 [102] No-Hub Stack, Single Inlet, 2 [51] Right Hand Vent

PREFIXES

- ___ Z D.C.C.I. System with Zurn ZZ Adjustable Coupling*
- ___ ZQ D.C.C.I. System with NPT Faceplate, Non-Adjustable Coupling

SUFFIXES

- ___ -A Auxiliary Support Assembly (For 'P' Dim. Greater than 18 [457])
- ___ -CC Corrosion Resistant Cast Iron Coupling (2-1/4 [57] to 12 [305])
- ___ -CE EZ-Set™ Coupling (Available 6 [152], 12 [305] or longer when specified. Minimum length=5 [127])
- ___ -CL Custom Length Standard Coupling with Integral Test Cap (Specify Length 4, 8, 10, 12 [102, 203, 254, 305])
- ___ -CS 2-1/4 [57] Polymer Coupling with Integral Test Cap
- ___ -F Floor Mounted, Back Outlet Fixture Support
- ___ -G Galvanized Cast Iron
- ___ -JJ Two 2 [51] Auxiliary Inlets
- ___ -JL 2 [51] Left-Hand Auxiliary Inlet
- ___ -JR 2 [51] Right-Hand Auxiliary Inlet
- ___ -M Auxiliary Foot Support (for 'P' Dim. 10 thru 18 [254 thru 457])
- ___ -RYK Unistrut Pre-Fab Foot Support
- ___ -VL Left Hand Vent Connection
- ___ -VP Vandal-Proof Trim
- ___ -45 Finishing Frame for Siphon Jet System
- ___ -50 Flush Valve Supply Support for Water Closets

* Regularly furnished unless otherwise specified.