



## VB-STD

### Standard Series Valve Boxes

#### Primary Application

Protects in-ground irrigation valves. Also functions as a durable enclosure that provides easy access to valves for maintenance. Used in turf applications to house single valves, multiple valves, or other subsurface components of an irrigation system.

#### Features

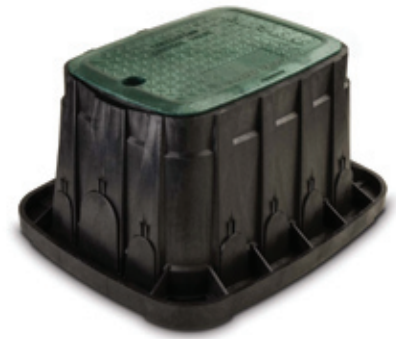
- Easily removable knock-outs simplify pipe placement and reduce installation time. Two large center knock-outs accommodate up to 3 1/2" diameter pipe and eleven knock-outs accommodate up to 2" diameter pipe. (Extensions do not have knock-outs.)
- Knock-out retainers align removed knock-outs in place above the pipe to help keep dirt out during backfill.
- Corrugated sides provide strength both before and after knock-outs are removed.
- Shovel access slot on body allows for easy lid removal.
- Beveled lid edges help prevent damage to lids from lawn equipment.
- Bolt hole knock-out in the lid keeps insects out of the box when bolt is not used.
- Interlocking bottoms allow boxes to mate securely together bottom-to-bottom for deep installations.
- Optional stainless steel bolt and clip securely fasten the lid to the body.
- Lid marking area provides dedicated location for valve identification.
- Available lid colors are green, purple (to indicate non-potable water), tan (for desert soils), and black.
- Wide flange anchors box to grade, minimizing settling and service call backs

#### Models and Dimensions

- **VB-STD:** Standard rectangular valve box  
23.2" L x 19.3" W x 12.1" H  
(59,0 cm x 49,1 cm x 30,7 cm)
- **VB-STD-6EXT:** Standard 6" extension valve box  
20.0" L x 14.75" W x 6.75" H  
(50,8 cm x 37,5 cm x 17,1 cm)

#### Optional Locking Systems

- **VB-LOCK-H:** Hex head 3/8" x 21/4" (1,0 x 5,7 cm) bolt, washer, and clip (Available separately or as locking assembly with body and lid)
- **VB-LOCK-P:** Penta head 3/8" x 21/4" (1,0 x 5,7 cm) bolt, washer, and clip (Available separately)

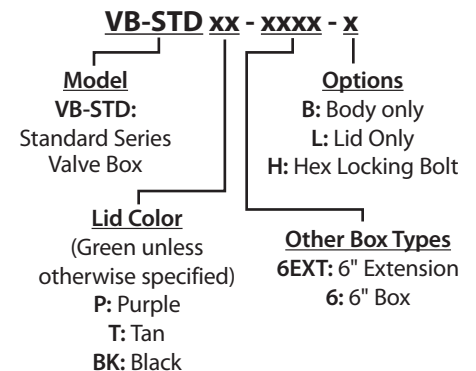


VB-STD



VB-STD-6/VB-STD-6EXT

#### How to Specify/Order



## Specifications

### VB-STD SERIES

Valve boxes shall be used as durable, rigid enclosures for valves or other irrigation system components requiring subsurface protection for installation or maintenance. The valve box shall be made of structural foam HDPE resin that is resistant to UV light, weather, moisture, and chemical action of soils.

Valve box body and black lid shall be composed of 100% recycled HDPE.

The standard rectangular body shall have knock-outs molded into the sides that can be readily removed. The knock-outs shall remain an integral part of the body unless removed to run pipes or wires through the valve box.

The valve box shall have corrugated sides. Rectangular valve boxes shall have a grooved feature on one side, just below the lid at the top of the box, for inserting a shovel blade or other prying tool to provide easy lid removal. This is useful following compaction of the surrounding soil or after the eventual accumulation of thatch over the valve box.

Extension models shall have vertical ribs inside that make them capable of being mounted directly over the top of another box.

Boxes shall have a stepped feature on the bottom that securely interlocks two boxes together when mated bottom-to-bottom for use in a deep installation.

There shall be no hole in the valve box lid unless the bolt-hole knock-out is removed in order to use the locking bolt. Lids shall have beveled edges to minimize potential damage from lawn equipment. Lids shall be clearly marked with the words "Irrigation Control Valve" molded onto the top. Lids shall have a marking area measuring at least 6" by 2" that is suitable for branding or other means of identification.

The locking bolt, washer, and clip shall be made of stainless steel.

The valve box shall be manufactured by Rain Bird Corporation, Glendora, California.



**Rain Bird Corporation**  
6991 E. Southpoint Road  
Tucson, AZ 85706  
Phone: (520) 741-6100  
Fax: (520) 741-6522

**Rain Bird Technical Services**  
(800) RAINBIRD (U.S. and Canada)

**Rain Bird Corporation**  
970 West Sierra Madre Avenue  
Azusa, CA 91702  
Phone: (626) 812-3400  
Fax: (626) 812-3411

**Specification Hotline**  
800-458-3005 (U.S. and Canada)

**Rain Bird International, Inc.**  
P.O. Box 37  
Glendora, CA 91740-0037  
Phone: (626) 963-9311  
Fax: (626) 852-7343

**[www.rainbird.com](http://www.rainbird.com)**

The Intelligent Use of Water™ -- Visit [www.rainbird.com](http://www.rainbird.com) to learn about our efforts

© Registered Trademark of Rain Bird Corporation  
© 2008 Rain Bird Corporation 6/08

D395388