



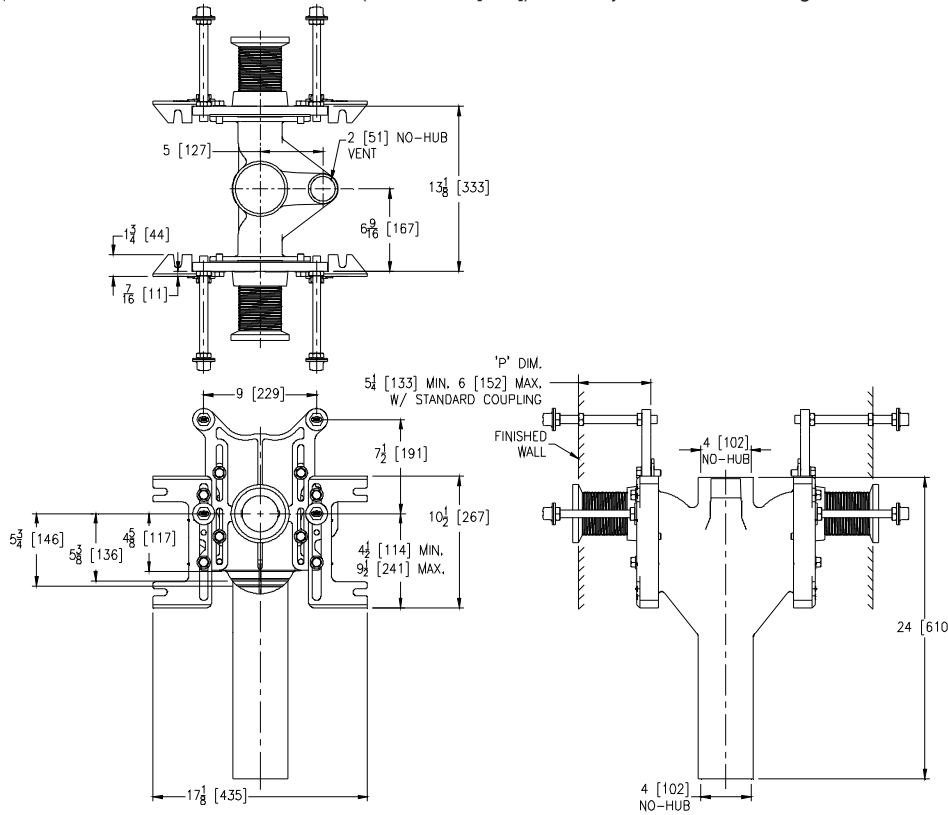
# Z1202-ND4

EZCARRY® ADJUSTABLE VERTICAL BACK-TO-BACK  
HIGH PERFORMANCE SIPHON JET NO-HUB WATER  
CLOSET CARRIER SYSTEM

SPECIFICATION SHEET

TAG \_\_\_\_\_

Dimensional Data (inches and [mm]) are Subject to Manufacturing Tolerances and Change Without Notice



Product Number	Approx. Wt. lbs [kg]
Z1202-ND4	103 [47]

Note:

1. Z coupling, Min. 'P' Dim. Obtainable =2 [51].  
ZQ coupling, Min. 'P' Dim. Obtainable =5 [127].
2. Feet bolted to floor using min. 1/2 [13] dia. anchors.
3. Auxiliary inlet available right (-JR) or left (-JL) or both sides (-JJ) when specified.

## ENGINEERING SPECIFICATION: ZURNZ1202-ND4

EZCarry® vertical siphon jet water closet carrier system with high performance waterway and 4" [102mm] no-hub connections. System includes Dura-Coated cast iron double main fitting with hydro-mechanically optimized sweep and extended 2" [51mm] vent, adjustable gasketed faceplates, universal floor mounted pre-fab slotted foot supports, fixture bolts, trim, stud protectors, bonded "Neo-Seal" gaskets, and corrosion resistant, adjustable 3" [76mm] dia. X 6" [152mm] couplings with integral test caps designed to increase flow velocity and line carry. EZCarry® system complies with the requirements of ASME A112.6.1M up to a 500 lbs [227 kg] static load rating.

## OPTIONS (Check/specify appropriate options)

Z1202-ND4 4 [102] No-Hub Stack, Double Inlets, 2 [51] Vent

## PREFIXES

- \_\_\_ Z D.C.C.I. System with Zurn ZZ Adjustable Coupling\*  
\_\_\_ ZQ D.C.C.I. System with NPT Faceplate, Non-Adjustable Coupling

## SUFFIXES

- |         |   |          |   |
|---------|---|----------|---|
| ___ -A  | Auxiliary Support Assembly (For 'P' Dim. Greater than 18 [457])   | ___ -G   | Galvanized Cast Iron  |
| ___ -CC | Corrosion Resistant Cast Iron Coupling (2-1/4 [57] to 12 [305])   | ___ -JJ  | Two 2 [51] Auxiliary Inlets                                     |
| ___ -CE | EZ-Set™ Coupling (Available 6 [152], 12 [305] or longer when specified. Minimum length=5 [127])           | ___ -JL  | 2 [51] Left-Hand Auxiliary Inlet                                |
| ___ -CL | Custom Length Standard Coupling with Integral Test Cap (Specify Length 4, 8, 10, 12 [102, 203, 254, 305]) | ___ -JR  | 2 [51] Right-Hand Auxiliary Inlet                               |
| ___ -CS | 2-1/4 [57] Polymer Coupling with Integral Test Cap  | ___ -M   | Auxiliary Foot Support (for 'P' Dim. 10 thru 18 [254 thru 457]) |
| ___ -F  | Floor Mounted, Back Outlet Fixture Support  | ___ -RYK | Unistrut Pre-Fab Foot Support                                   |
|         |   | ___ -VP  | Vandal-Proof Trim   |
|         |   | ___ -45  | Finishing Frame for Siphon Jet System                           |
|         |   | ___ -50  | Flush Valve Supply Support for Water Closets                    |

\* Regularly furnished unless otherwise specified.

Zurn Industries, LLC | Specification Drainage Operation  
1801 Pittsburgh Avenue, Erie, PA U.S.A. 16502 · Ph. 855-663-9876, Fax 814-454-7929  
In Canada | Zurn Industries Limited  
3544 Nashua Drive, Mississauga, Ontario L4V 1L2 · Ph. 905-405-8272, Fax 905-405-1292  
[www.zurn.com](http://www.zurn.com)

Rev. F  
Date: 02/18/16  
C.N. No. 133973  
Prod. | Dwg. No. Z1202-ND4