



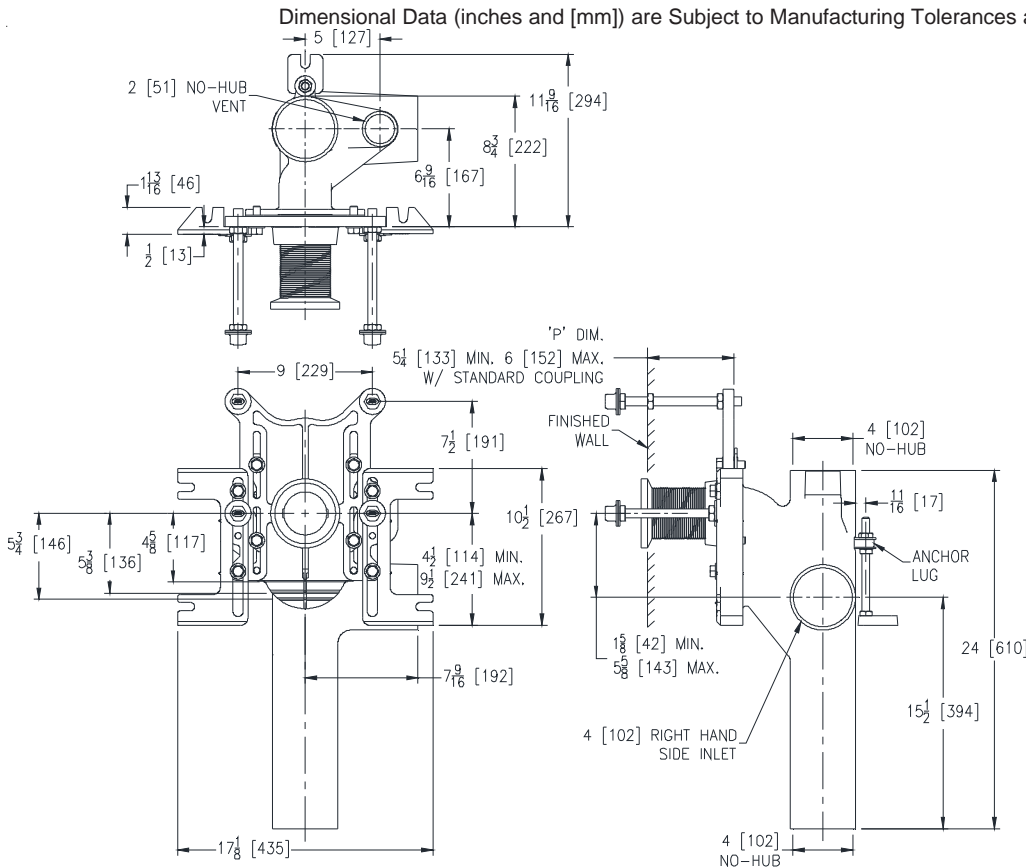
Z1202-1N_4

EZCARRY™ ADJUSTABLE VERTICAL HIGH PERFORMANCE SIPHON JET NO-HUB WATER CLOSET CARRIER SYSTEM W/ SIDE INLET

SPECIFICATION SHEET

TAG _____

Dimensional Data (inches and [mm]) are Subject to Manufacturing Tolerances and Change Without Notice



Product Number	Approx. Wt. lbs [kg]
Z1202-1NL4	66 [30]
Z1202-1NR4	66 [30]

Note:

1. Z coupling, Min. 'P' Dim. Obtainable = 2 [51].
ZQ coupling, Min. 'P' Dim. Obtainable = 5 [127]
2. Feet bolted to floor using min. 1/2 [13] dia. anchors.
3. Rear anchor foot required for secure installation.
4. 2 [51] No-Hub Vent located on same side as 4 [102] side inlet.

Z1202-1NR4 Illustrated

ENGINEERING SPECIFICATION: ZURN Z1202-1N_4

EZCarry™ vertical siphon jet water closet carrier system with high performance waterway and 4" [102mm] no-hub connections. System includes Dura-Coated cast iron main fitting with hydro-mechanically optimized sweep and extended 2" [51mm] vent, 4" [102mm] side inlet, adjustable gasketed faceplate, universal floor mounted pre-fab slotted foot supports, heavy-duty 1/2" [13mm] rear anchor tie down, fixture bolts, trim, stud protectors, bonded "Neo-Seal" gasket, and corrosion resistant, adjustable 3" [76mm] dia. X 6" [152mm] coupling with integral test cap designed to increase flow velocity and line carry. EZCarry system complies with the requirements of ASME A112.6.1M up to a 500 lbs [227 kg] static load rating.

OPTIONS (Check/specify appropriate options)

- ___ Z1202-1NL4 4 [102] No-Hub Stack, Single Inlet, 4 [102] Left Hand Side Inlet, 2 [51] Left Hand Vent.
 ___ Z1202-1NR4 4 [102] No-Hub Stack, Single Inlet, 4 [102] Right Hand Side Inlet, 2 [51] Right Hand Vent.

PREFIXES

- ___ Z D.C.C.I. System with Zurn ZZ Adjustable Coupling*
 ___ ZQ D.C.C.I. System with NPT Faceplate, Non-Adjustable Coupling

SUFFIXES

- | | | | |
|---------|---|------------|---|
| ___ -A | Auxiliary Support Assembly (For 'P' Dim. Greater than 18 [457]) | ___ -G | Galvanized Cast Iron |
| ___ -CC | Corrosion Resistant Cast Iron Coupling (2-1/4 [57] to 12 [305]) | ___ -M | Auxiliary Foot Support (for 'P' Dim. 10 thru 18 [254 thru 457]) |
| ___ -CE | EZ-Set™ Coupling (Available 6 [152], 12 [305] or longer when specified. Minimum length=5 [127]) | ___ -RYK | Unistrut Pre-Fab Foot Support |
| ___ -CL | Custom Length Standard Coupling with Integral Test Cap (Specify Length 4, 8, 10, 12 [102, 203, 254, 305]) | ___ -RYK17 | One Piece Unistrut Pre-Fab Foot |
| ___ -CS | 2-1/4 [57] Polymer Coupling with Integral Test Cap | ___ -VL | Left Hand Vent Connection (For 1NR4 Only) |
| ___ -F | Floor Mounted, Back Outlet Fixture Support | ___ -VP | Vandal-Proof Trim |
| | | ___ -45 | Finishing Frame for Siphon Jet System |
| | | ___ -50 | Flush Valve Supply Support for Water Closets |

* Regularly furnished unless otherwise specified.

Zurn Industries, LLC | Specification Drainage Operation
 1801 Pittsburgh Avenue, Erie, PA U.S.A. 16502 · Ph. 855-663-9876, Fax 814-454-7929
 In Canada | Zurn Industries Limited
 3544 Nashua Drive, Mississauga, Ontario L4V 1L2 · Ph. 905-405-8272, Fax 905-405-1292
www.zurn.com

Rev. E
 Date: 12/21/16
 C.N. No. 135850
 Prod. | Dwg. No. Z1202-1N_4