



# A-Shape LED

## 5.5A19/LED/827/ND 120V 6/1

Philips A-shape Dimmable LED lamps are the smart LED alternative to standard incandescents. The unique lamp design provides omi-directional light with excellent dimming performance.

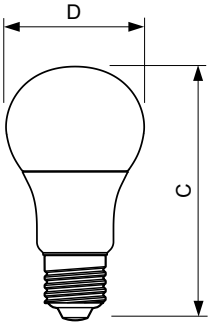
### Product data

General Information		Warm Up Time to 60% Light (Nom)	
Cap-Base	E26 [ Single Contact Medium Screw]		0.5 s
Nominal Lifetime (Nom)	10950 h	Power Factor (Nom)	0.5
Switching Cycle	50000X	Voltage (Nom)	120 V
Technical Type	5.5-40W	<b>Temperature</b>	
<b>Light Technical</b>		T-Case Maximum (Nom)	100 °C
Color Code	827 [ CCT of 2700K]	<b>Controls and Dimming</b>	
Initial lumen (Nom)	450 lm	Dimmable	No
Luminous Flux (Rated) (Nom)	450 lm	<b>Mechanical and Housing</b>	
Color Designation	Warm White (WW)	Bulb Finish	Frosted (FR)
Correlated Color Temperature (Nom)	2700 K	<b>Approval and Application</b>	
Luminous Efficacy (Rated) (Nom)	82 lm/W	Suitable For Accent Lighting	No
Color Consistency	ANSI	<b>Product Data</b>	
Color Rendering Index (Nom)	80	Order product name	5.5A19/LED/827/ND 120V 1PK/6
LLMF At End Of Nominal Lifetime (Nom)	70 %	EAN/UPC - Product	046677460631
<b>Operating and Electrical</b>		Order code	460634
Input Frequency	60 Hz	Numerator - Quantity Per Pack	1
Power (Rated) (Nom)	5.5 W	Numerator - Packs per outer box	6
Lamp Current (Nom)	90 mA	Material Nr. (12NC)	929001203604
Wattage Equivalent	40 W		
Starting Time (Nom)	0.5 s		

# A-Shape LED

Net Weight (Piece) 0.052 kg

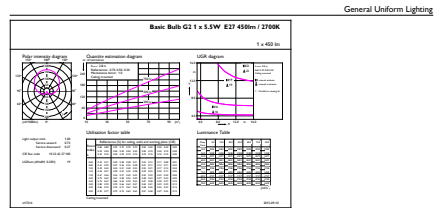
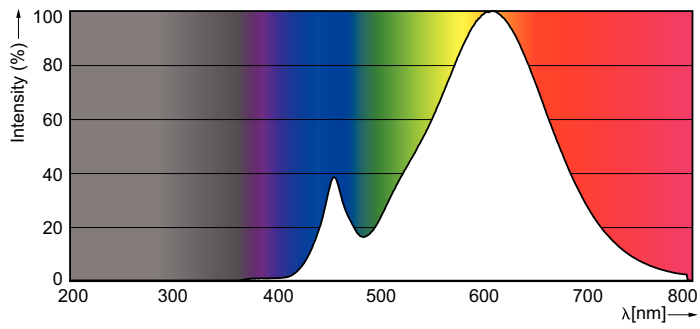
## Dimensional drawing



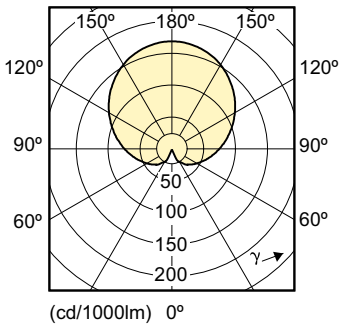
Basic Bulb 5.5W-40W 450lm 2700K E26 ND

Product	D	C
5.5A19/LED/827/ND 120V 1PK/6	61 mm	107 mm

## Photometric data



Candelix Photometrics 4.3 Philips Lighting B.V. Page 1/1



## A-Shape LED

