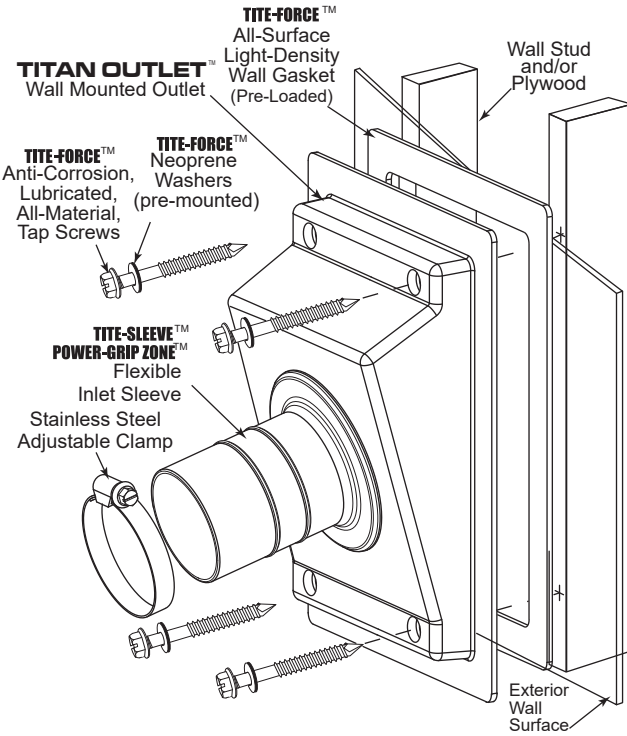




Project _____
 Contractor _____
 Date _____
 Specification Reference _____
 Comments _____



TITAN OUTLET MODEL NUMBERS

Airex Part Number	Model TGS: Stucco, Masonry Applications
TGS-550-G	(Fits: 1/2" wall thickness pipe insulation with 5/8", 7/8" tube)
TGS-575-G	(Fits: 3/4" wall thickness pipe insulation with 5/8", 7/8" tube or 1/2" wall thickness pipe insulation with 1-1/8" tube)
TGS-510-G	(Fits: 1" wall thickness pipe insulation with 3/4", 7/8" tube or 3/4" wall thickness pipe insulation with 1-1/8" tube)

TITAN OUTLET™ Color Options



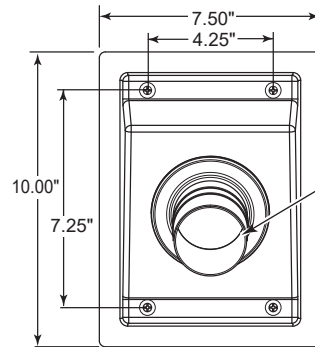
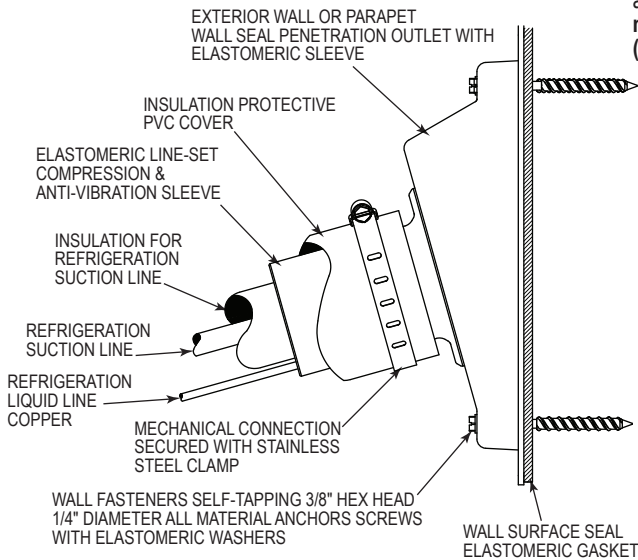
Substitute (G) with (W) for White

Airex Part Number	Model TSS: Siding, Compact Applications
TSS-550-G	(Fits: 1/2" wall thickness pipe insulation with 5/8", 7/8" tube)
TSS-575-G	(Fits: 3/4" wall thickness pipe insulation with 5/8", 7/8" tube or 1/2" wall thickness pipe insulation with 1-1/8" tube)

Product Description and Specification

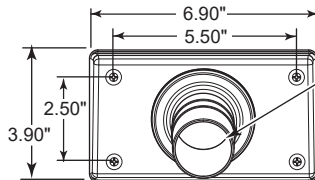
AIREX TITAN OUTLET™ - A wall outlet seal by Airex Manufacturing Inc., shall be provided and installed with its compression gasket mounting method and must be fastened to wall surface with supplied ICC-ES listed and approved non-corrosive screws with pre-loaded neoprene washers. Wall Outlet must also integrate an over-molded, flexible, elastomeric sleeve for sealing, supporting and isolating refrigerant pipes to also control vibration. The Wall Outlet shall also feature outdoor-rated durability and shall provide wall expansion and contraction protection features achieved by gaskets and seals as per energy code requirements. A stainless steel clamp must be utilized to create a "Mechanical Connection" between wall seal and pipe insulation protector as intended per energy codes to allow removable/reusable maintenance capabilities and designed to co-act with the AIREX E-FLEX GUARD™ Pipe Insulation Protection Cover. Wall Outlet seal and insulation protector must both be sustainably and securely installed, mechanically fastened together as one, due to piping vibration, and shall be assembled without the use of adhesives or adhesive tapes as per energy code requirements. **Wall Outlet shall be tested and must meet the following testing: ASTM E 331 (Water Penetration), ASTM E 283 (Air Leakage), and ASTM E 2178 - Air Permeance of Building Materials.**

Refrigeration Pipe Penetration Detail



TGS Model Series Sleeve Diameters

Airex Part Number	Sleeve Diameter	Insulation Thickness
TGS-550-G	1.70"	1-11/16"
TGS-575-G	2.375"	2-3/8"
TGS-510-G	3.1875"	3-3/16"



TSS Model Series Sleeve Diameters

Airex Part Number	Sleeve Diameter	Insulation Thickness
TSS-550-G	1.70"	1-11/16"
TSS-575-G	2.375"	2-3/8"

Approved Material & Performance Testing

Product Performance Testing	Plastic Material Testing
<ul style="list-style-type: none"> • ASTM E283 - Standard Test Method for Air Leakage • ASTM E331 - Standard Test Method for Water Penetration of Exterior Walls by Uniform Static Air Pressure • ASTM E 2178 - Air Permeance of Building Materials 	<p>Wall Mounted Outlet (Rigid Plastic)</p> <ul style="list-style-type: none"> • ASTM D1525C-09 - Temperature Deformation Test • ASTM D648-07 - Temperature Load Deformation Test • UL 94 HB - Flammability Test • UL 746C - Outdoor Suitability - f1 Rating <p>Wall Outlet Sleeve (Elastomeric Plastic)</p> <ul style="list-style-type: none"> • ASTM D573-04 - Deterioration Test • ASTM D746-07 - Brittleness Temperature Impact

