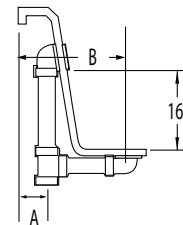
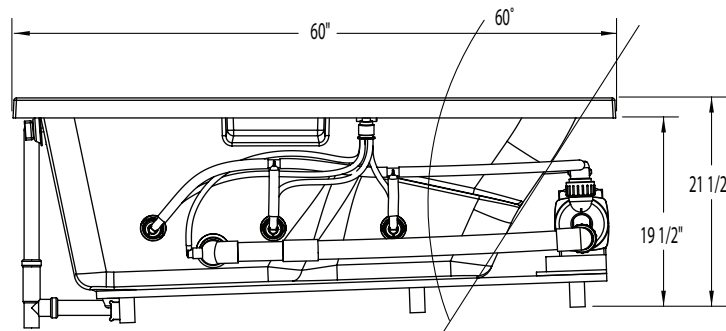
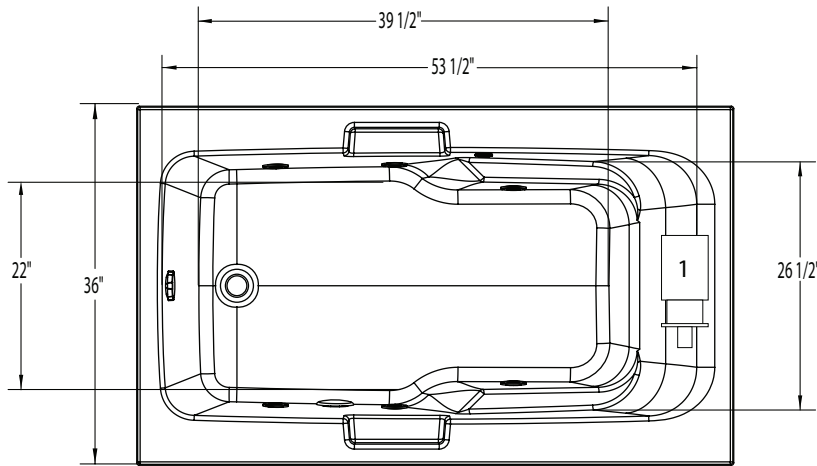


4160620V (Soaker)
4160621V (Whirlpool)

60 x 36 x 21 1/2 inches



FEATURES

Dimensional Tolerance ± 3/8". Dimensions needed for site preparation should be measured from the unit. Aquatic assumes no responsibility for preparatory work.

Type and Model #	Material	Jets	Pump	Heater	Controls	Drain	Pkg. Wt. (lbs)
Soaker #4160620V	Cast Acrylic	0	–	–	–	Universal	105
Whirlpool #4160621V	Cast Acrylic	6	63 GPM	1.5kW inline (optional)	Pneumatic	Universal	152

DIMENSIONS inches

Width Overall / Net	Depth Overall / Net	Height Overall / Net	Skirt Height
60	36	21 1/2 / 19 1/2	–

SUMP DATA inches

Capacity to Overflow gal (ltr)	Min. Operating Capacity gal (ltr)	WIDTH @ centerline		DEPTH @ centerline	
		Top	Bottom	Top	Bottom
66	47	53 1/2	39 1/2	26 1/2	22

PLUMBING DIMENSIONS inches

A	B	Drain to Overflow	Drain Diameter / Clearance
2 7/8	9 3/4	16	2 / 1 3/4

ELECTRICAL DATA

Component	Specification	Requirement
Pump	5 AMP; 120 V	15 AMP; 120V, separate circuit; Class A GFCI

NOTES:

1) Where applicable, utilize cut-out templates packed with unit for deck cutouts.

2) 16 x 16 minimum access required at pump/blower location(s).

Optional Heater (whirlpool model)	1.5KW; 12 AMP; 120 V	15 AMP; 120V, separate circuit; Class A GFCI
-----------------------------------	----------------------	--