



Submittal Sheet

Part Description:

75 Gallon per Minute Endura XL Grease
Interceptor no-hub X no-hub

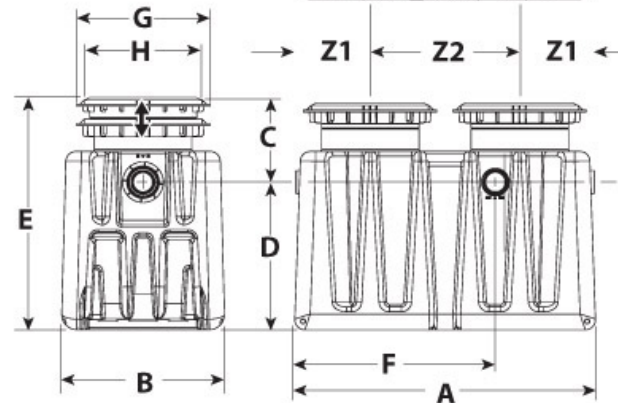
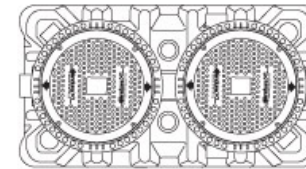
Part Number:

4075A04

Approvals and Listings maintained by:
Canplas Industries Ltd
Canada: 1-800-461-5300 USA: 1-888-461-5307



NSF
C US
ES15741
ASME A112.14.3 & CSA B481.1
U.P. Code



Part #	Part UPC	Colour	Size (inches)	Ctn Qty	Ctn Bar Code	Ctn. Wt (Kgs)	Ctn. Wt (lbs)	Skid Cubic (m)	Skid Cubic (ft)	Ctns/Skid
4075A04	662671066275	BLACK	4X4	1	10662671066272	111.44	245.17	1.53	54.11	1

Dimensions (inches)

A	B	C	D	E	F	G	H	Z1	Z2
59	32	14	29	43	39.5	26	22	14.75	29.5