



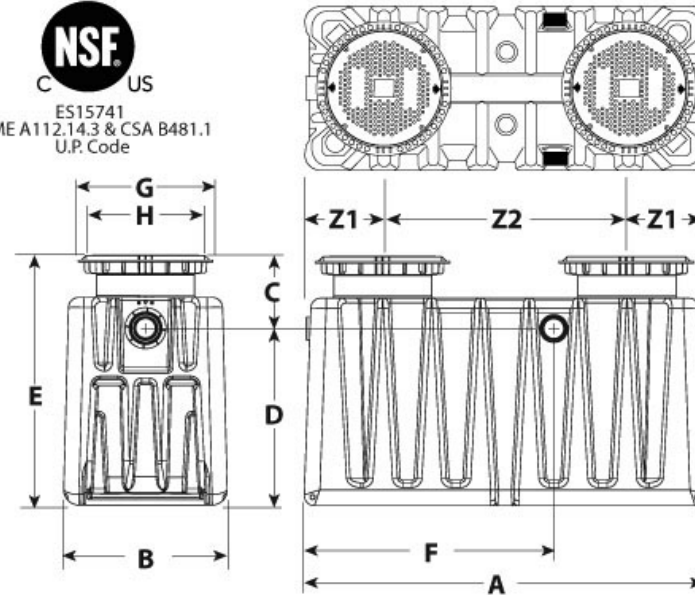
Part Description:  
 Endura XL100 - M-Rated pedestrian/light traffic access covers - flush to finished floor. Threaded (FPT) Inlet/Outlet connection.

Part Number:  
 40100A04MT

Approvals and Listings maintained by:  
**Canplas Industries Ltd**  
 Canada: 1-800-461-5300 USA: 1-888-461-5307



**NSF**  
 C US  
 ES15741  
 ASME A112.14.3 & CSA B481.1  
 U.P. Code



Part #	Part UPC	Color	Size (Inches)	Ctn Qty	Ctn Bar Code	Ctn Wt (Kgs)	Ctn Wt (lbs)	Skid Cubic (m)	Skid Cubic (ft)	Ctns/Skid
40100A04MT	662671070746	Black	4" FPT					2.95	104.34	

**Dimensions (Inches)**

A	B	C	D	E	F	G	H	Z1	Z2
78	32	14	34.5	48.5	48.5	26	22	15.25	47.5