

DESCRIPTION

The CSWEU2LED is a wet location listed emergency lighting unit made of injection molded, high-impact, UV stabilized thermoplastic with a UL94 V-0 flammability rating. The unit includes a clear poly-carbonate shield which is fully gasketed, the housing and enclosure have a white finish. The LED lamp-heads are fully adjustable and glare-free. The unit can be wall or ceiling mounted. The CSWEU2LED 12 LED's per lamp-head driven at 1.15W at 3.6VDC. The front cover is secured by 2 stainless steel screws. Housing includes a molded-in template for easy installation.



APPLICATION

The CSWEU2LED can be applied in areas susceptible to rain and severe moisture, such as parking decks and outdoor commercial applications.

FEATURES

- LED Life-cycle exceeding 10 years
- Quick installation
- Dual-voltage 120 or 277VAC input
- Long-life Nickel Cadmium battery at 3.6VDC for UL recognized 90 minute emergency lighting
- Wet Location Listed for 10°C to 40°C(50°F-104°F)
- External Push-to-Test switch
- Wall or Ceiling Mount

COMPLIANCES

UL924
 UL Wet Location Listed
 CEC T20 Compliant

Warranty

2 Year Full Unit Warranty

ENERGY CONSUMPTION

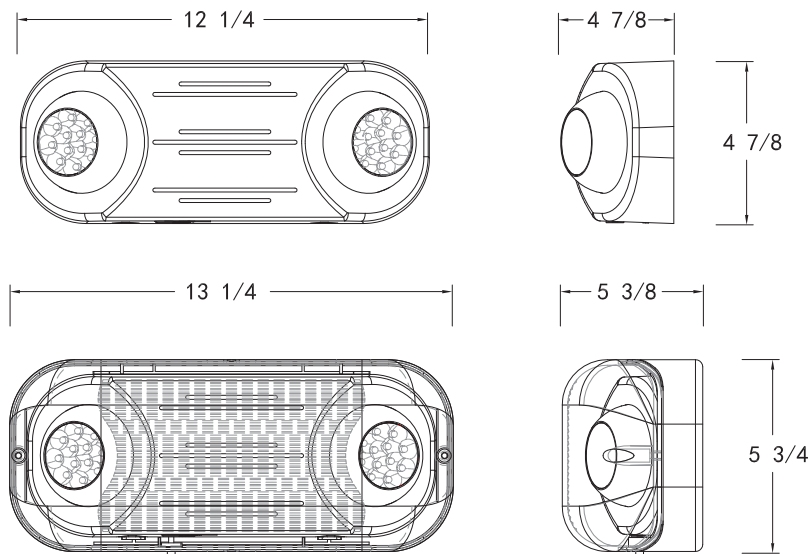
	120VAC	277VAC
CSWEU2LED	1.90W	1.90W

Photometric files are available on the Compass website.

ORDERING GUIDE

Catalog Number	Description
CSWEU2LED	Clear poly-carbonate shield with White Thermoplastic Housing, Dual LED Lamps, UL Wet Location Listed, 120/277VAC Input, 3.6VDC Output, 1.15W per lamp

DIMENSIONS



Single Carton Weight: 2.5 lbs

Master Carton Quantity: 6 each