

New Construction

FT4

4" Fire Resistant Recessed
Line Voltage Incandescent Downlight
One PAR-16 or PAR20/R20 Lamp
Non-IC Rated
120V

DATE: _____ TYPE: _____

FIRM NAME: _____

PROJECT: _____



Aperture: Nominal 4"

Ceiling Cutout: 4 1/2"

Maximum Ceiling Thickness: 2 1/2"

For conversion to millimeters,
multiply inches by 25.4

Weight: 14 lbs.

Not to Scale

APPLICATIONS

Suitable for fire-rated ceiling assemblies in new construction where insulation is not present or is spaced 3" away. The FT4 is ideal for applications that require a small, concealed source to maintain a clean ceiling plane. Specify the FT4 to accent items of interest in retail spaces, hospitality environments, residentially in bedrooms, living rooms, foyers, and hallways, or to supplement the general illumination in commercial and multifamily projects.

REFLECTOR

Trims feature three simple spring retention clips to ensure a snug fit to the ceiling plane, eliminating unwanted light leaks and sagging over time. All trims are made of high quality stamped steel and have an integral trim flange. Reflectors are anodized to reduce the risk of yellowing, cracking or warping. Matte white trim ring standard.

LAMP/SOCKET

Socket snaps into trim carrier to place lamp in proper position ensuring consistent appearance and performance. Porcelain socket with brass or copper screwshell. Thermal protector prevents fixture from overheating when improperly installed or over-lamped. Refer to trim for specific lamp information. Lamps furnished by others.

INSTALLATION

Bar hangers with integral T-bar mounting clips and nail tab for wood joist construction. Accommodates up to 24" on center ceiling joists. Captive bar hangers will lock to secure housing in place. For uninstillation of bar hangers to furring channels, order FT FCC furring channel clips.

HOUSING

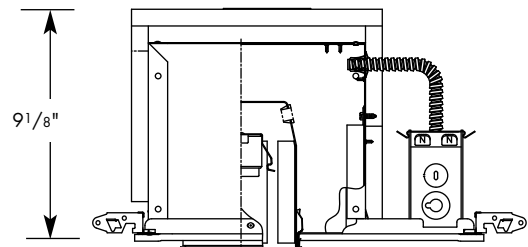
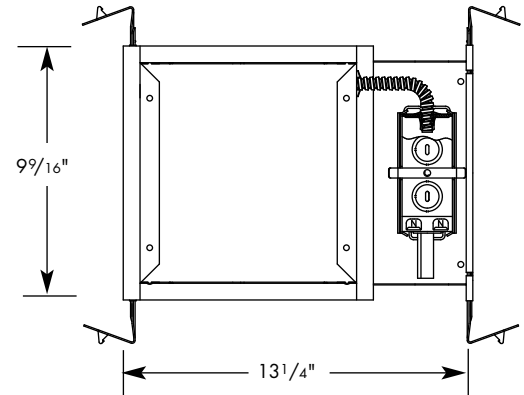
Steel housing adjusts vertically to accommodate ceilings up to 2 1/2" thick. Two (2) snap-on covers provide easy access to splices. Integral Romex clamp. Six pieces of UL classified fire resistant gypsum board attached to housing. Fiberglass gasket on bottom of frame to minimize heat transfer into ceiling cavity.

J-BOX

Prewired steel junction box with pre-installed ground wire. Housing may be removed from plaster frame after installation to provide access to J-box.

LABELS

Non-IC rated. Insulation, if present, must be spaced 3" away from housing. UL and CUL listed for damp locations and through wiring. Thermally protected. UL classified to maintain up to a one hour fire rating in UL P200 and P500 series fire rated roof ceiling assemblies. UL classified to maintain fire ratings up to 2 hours in all UL D200, G200, L200, D500, G500, and L500 series fire rated floor/ceiling assemblies.



US Patent No. 6,357,891; 6,004,011

CATALOG NUMBER:

EXAMPLE: FT4-TA120C

HOUSING	TRIMS	TRIMS	TRIMS	ACCESSORIES
<input type="checkbox"/> FT4	ADJUSTABLE <input type="checkbox"/> TA120(C) <input type="checkbox"/> TA120E	ADJUSTABLE BAFFLE <input type="checkbox"/> TA120BF <input type="checkbox"/> TA120WBF	ADJUSTABLE WALL WASH <input type="checkbox"/> TA120WW	<input type="checkbox"/> FTFCC 4 clips to install bar hangers to furring channels <input type="checkbox"/> ICBOX Recessed enclosure for IC applications. Refer to specification sheet FT-INC-005

TRIMS & FINISHES

**FireTight® - FT4 Incandescent Line Voltage
Fire Resistant Recessed Downlight**

Adjustable



TA120C
Specular clear anodized reflector with
360°H x 20°V adjustment.
Max. 45W PAR16, 50W PAR20/R20



TA120E
Eyeball, white interior with 360°H x
20°V adjustment.
Max. 75W PAR16, 50W PAR20

Adjustable Baffle



TA120BF
Black spun baffle with
360°H x 20°V adjustment.
Max. 45W PAR16, 50W PAR20/R20



TA120WBF
White spun baffle with
360°H x 20°V adjustment.
Max. 45W PAR16, 50W PAR20/R20

Adjustable Wall Wash



TA120WW
Wall washer with spun black baffle with
360°H x 20°V adjustment.
Max. 30W R20

Refer to www.prescolite.com for photometrics.



Web: www.prescolite.com • Tech Support: (888) 777-4832
701 Millennium Blvd., Greenville, SC 29607 U.S.A. • Phone (864) 678-1000
Copyright ©2013 Prescolite, Inc., a division of Hubbell Lighting, Inc. All Rights Reserved
Specifications subject to change without notice. • Printed in U.S.A. • FT-CFL001 • 6/5/13



Hubbell Lighting, Inc.