

# ARCHITRAK SPRING CLEANING SALE



## Up to 75% off - 100% Overage

We are currently in an overstock situation on many of these items as well as some that have been discontinued. This translates into an opportunity for the availability of high quality track products at dramatically reduced prices with great overage opportunities.

While supplies last, Prescolite has a limited number of miscellaneous track heads, wall washers, and accessories available up to 75% off AAL pricing. All orders must be identified with AP-ArchiTrak promotion code and shipped by August 30, 2012. Commission will be 10% with 100% overage.

We encourage you to take advantage of this opportunity and look forward to supporting you in any way possible.

### Miscellaneous Track Heads



AKTCBP30 BL



AKTLFP20 Z



AKTSFM16 BL



AKTTTCR BL



AKTTCS WH

Material	Material Description	Unit	OSP	AAL	Special Price	Product Description
BG337500	AKTCBP30 BL	158	\$68.35	\$52.57	\$15.74	Classic Bell with black baffle (75W PAR30), Black
BG335000	AKTFCEM16 WH	154	\$71.65	\$55.11	\$13.78	Cylinder-Flat back, electronic transformer (50W MR16), White
BG362700	AKTFCP38 Z	282	\$36.15	\$27.81	\$6.95	Cylinder-Flat back (250W PAR38) 300W BR40, Zet
BG333800	AKTRCEM16 WH	189	\$67.30	\$51.77	\$27.38	Cylinder-Round back, electronic transformer (50W MR16), White
BG362400	AKTRCEM16 Z	110	\$70.55	\$54.27	\$13.57	Cylinder-Round back, electronic transformer (50W MR16), Zet
BG362500	AKTRCM16 Z	170	\$55.60	\$42.77	\$10.69	Cylinder-Round back, magnetic transformer (50W MR16), Zet
BG332900	AKTRCP16 BL	114	\$25.50	\$19.61	\$8.82	Cylinder-Round back (60W PAR16), Black
BG332800	AKTRCP16 WH	119	\$25.50	\$19.61	\$8.29	Cylinder-Round back (60W PAR16), White
BG333100	AKTRCP20 BL	289	\$26.90	\$20.69	\$9.03	Cylinder-Round back (50W PAR20), Black
BG477100	AKTRCP20 Z	186	\$30.15	\$23.19	\$5.80	Cylinder-Round back (50W PAR20), Zet
BG362900	AKTRCP38 Z	237	\$36.15	\$27.81	\$6.95	Cylinder-Round back (250W PAR38), Zet
BG477300	AKTSCP38 Z	206	\$30.15	\$23.19	\$5.80	Cylinder-Step (250W PAR38), Zet
BG338000	AKTLFP20 WH	115	\$41.95	\$32.27	\$13.44	Line Form (75W PAR16/50W PAR20) track head, White
BG591100	AKTLFP20 Z	144	\$51.30	\$39.46	\$9.87	Line Form (75W PAR16/50W PAR20) track head, Zet
BG591300	AKTLFP38 Z	215	\$55.70	\$42.84	\$10.71	Line Form (250W PAR38) track head, Zet
BG362600	AKTSU WH-SAFC	28	\$65.95	\$50.73	\$12.68	Signos T track head Universal (75W MR16) w/amber frosted glass cone, White
BG591400	AKTSFM16 BL	192	\$84.70	\$65.15	\$20.22	Extruded square track head w/black baffle (20-50W MR16), electronic transformer, Black
BG338600	AKTSFM16 WH	247	\$84.70	\$65.15	\$16.29	Extruded square track head w/black baffle (20-50W MR16), electronic transformer, White
BG338800	AKTSFP20 WH	258	\$36.00	\$27.69	\$6.92	Soft square track head w/white baffle (75W PAR16/50W PAR20), White
BG339000	AKTSFP30 WH	213	\$48.80	\$37.54	\$9.39	Soft square track head w/white baffle (75W PAR30), White
BG336700	AKTTCF BL	263	\$38.95	\$29.96	\$14.90	Tech flat back track head (150W max), Black
BG336600	AKTTCF WH	586	\$38.95	\$29.96	\$14.90	Tech flat back track head (150W max), White
BG346900	AKTTCF Z	390	\$42.20	\$32.46	\$14.90	Tech flat back track head (150W max), Zet
BG336500	AKTTTCR BL	6546	\$31.45	\$24.19	\$12.91	Tech round back track head (150W max), Black
BG336900	AKTTCS BL	227	\$65.10	\$50.07	\$12.52	Tech low voltage track head (50W MR16), Black
BG336800	AKTTCS WH	216	\$65.10	\$50.07	\$12.52	Tech low voltage track head (50W MR16), White
BG346600	AKTUP Z	485	\$18.95	\$14.58	\$6.04	Tech Universal track head (250W max), Zet

### Miscellaneous Track Wall Washer



AKTHLCE227 Z

Material	Material Description	Unit	OSP	AAL	Special Price	Product Description
BG347400	AKTHLCE227 Z	478	\$236.00	\$181.53	\$45.38	Wall Wash 24, 26, or 27W 2-lamp High Lumen CFL-RS, Zet
BG341100	AKTHLCE240 BL	137	\$283.40	\$217.99	\$54.50	Wall Wash 40W 2-lamp High Lumen CFL-RS, Black
BG341000	AKTHLCE240 WH	110	\$283.40	\$217.99	\$54.50	Wall Wash 40W 2-lamp High Lumen CFL-RS, White
BG337000	AKTWWT4 WH	510	\$65.10	\$50.07	\$12.52	Wall wash T4 MiniCan Incandescent 250W, White



AKTA38 BL



AKTB20 BL



AKTE30 Z

## Track Barn Doors, Louvers, and Accessory Holders

Material	Material Description	Unit	OSP	AAL	Special Price	Product Description
BG350300	AKTA20 Z	243	\$8.65	\$6.65	\$1.66	Track accessory holder-PAR20, Zet
BG350800	AKTA38 BL	333	\$6.90	\$5.31	\$3.20	Track accessory holder-PAR38, Black
BG350900	AKTA38 Z	156	\$10.15	\$7.81	\$1.95	Track accessory holder-PAR38, Zet
BG349400	AKTB20 BL	198	\$15.10	\$11.61	\$6.88	Track Barn Door accessory-PAR20, Black
BG349300	AKTB20 WH	193	\$15.10	\$11.61	\$2.90	Track Barn Door accessory-PAR20, White
BG349800	AKTB38 BL	220	\$18.25	\$14.04	\$8.93	Track Barn Door accessory-PAR38, Black
BG351000	AKTE20 WH	186	\$6.10	\$4.69	\$1.17	Eggcrate Louver accessory-PAR20, White
BG351300	AKTE30 WH	152	\$7.00	\$5.38	\$1.35	Eggcrate Louver accessory-PAR30, white
BG351500	AKTE30 Z	144	\$10.25	\$7.88	\$1.97	Eggcrate Louver accessory-PAR30, Zet
BG351700	AKTE38 BL	136	\$7.65	\$5.88	\$1.47	Eggcrate Louver accessory-PAR38, Black



SPFC\*



SSAF\*



SSCF\*

## Track Accessories for AKTSU or AKTSG Heads

Material	Material Description	Unit	OSP	AAL	Special Price	Product Description
BG943200	SAFC	224	\$12.15	\$9.35	\$2.34	Amber frosted glass cone for AKTSU or AKTSG
BG331000	SPFC	1673	\$9.20	\$7.08	\$1.77	Pink frosted glass cone for AKTSU or AKTSG
BG331500	SPS BL	201	\$5.50	\$4.23	\$1.59	Black Perforated shade for AKTSU or AKTSG
BG943300	SSAF	141	\$12.55	\$9.65	\$2.41	Stepped Amber frosted glass cone for AKTSU or AKTSG
BG330800	SSCF	120	\$8.80	\$6.77	\$1.69	Stepped Cobalt blue frosted glass cone for AKTSU or AKTSG
BG330600	SSF	141	\$8.80	\$6.77	\$3.67	Stepped frosted glass cone for AKTSU or AKTSG
BG330700	SSPF	151	\$8.80	\$6.77	\$1.69	Stepped pink frosted glass cone for AKTSU or AKTSG

\*AKTSU/AKTSG housing shown as example only.



### Track Lens and Filters

Material	Material Description	Unit	OSP	AAL	Special Price	Product Description
BG354000	AML16	129	\$5.10	\$3.92	\$0.98	PAR16/MR16 Amber color filter
BG354100	AML20	206	\$5.50	\$4.23	\$1.06	PAR20 Amber color filter
BG354500	BLL20	185	\$6.90	\$5.31	\$1.33	PAR20 Blue color filter
BG354600	BLL30	107	\$5.85	\$4.50	\$1.13	PAR30 Blue color filter
BG352000	DL20	118	\$5.85	\$4.50	\$2.75	PAR20 Diffusion lens
BG352100	DL30	128	\$7.00	\$5.38	\$3.45	PAR30 Diffusion lens
BG354800	GRL16	144	\$5.10	\$3.92	\$0.98	PAR16/MR16 Green color filter
BG354900	GRL20	281	\$5.50	\$4.23	\$1.06	PAR20 Green color filter
BG352700	UV16	147	\$5.10	\$3.92	\$0.98	PAR16/MR16 UV filter
BG352800	UV20	177	\$5.85	\$4.50	\$1.13	PAR20 UV filter
BG352900	UV30	234	\$7.00	\$5.38	\$1.35	PAR30 UV filter
BG352300	SL16	892	\$5.10	\$3.92	\$2.63	PAR16/MR16 Linear spread lens
BG352500	SL30	141	\$7.00	\$5.38	\$1.35	PAR30 Linear spread lens
BG352600	SL38	168	\$9.20	\$7.08	\$1.77	PAR38 Linear spread lens

### Track Feeds, Connectors, Stem Kits and Wands



Material	Material Description	Unit	OSP	AAL	Special Price	Product Description
BG329600	AKTCC BL	211	\$12.00	\$9.23	\$6.39	Black Track Live-end connector with cord
BG329500	AKTCC WH	122	\$12.00	\$9.23	\$2.31	White Track Live-end connector with cord
BG329100	AKTF WH	160	\$15.70	\$12.08	\$8.16	White Flex connector
BG345400	AKTF Z	463	\$18.95	\$14.58	\$3.65	Zet Flex connector
BG348400	AKTMP Z	551	\$11.55	\$8.88	\$3.34	Zet Mounting adapter (mono point)
BG721000	AKTOA BL	256	\$13.90	\$10.69	\$2.67	Black Outlet adapter
BG721100	AKTOA Z	136	\$17.15	\$13.19	\$3.30	Zet Outlet adapter
BG341800	AKTPFC BL	151	\$3.50	\$2.69	\$0.67	Black Power feed cover
BG1053300	AKTSPA BL	110	\$17.70	\$13.61	\$8.61	Black 40 degree Sloped ceiling adapter kit for AKTCSK
BG328700	AKTT WH	133	\$19.40	\$14.92	\$3.73	White T connector
BG345200	AKTT Z	104	\$22.65	\$17.42	\$4.36	Zet T connector
BG343300	AKTTSK BL	144	\$34.40	\$26.46	\$6.62	Black T-Bar mount stem kit (2 stems per kit)
BG348700	AKTTSK Z	136	\$37.65	\$28.96	\$7.24	Zet T-Bar mount stem kit (2 stems per kit)
BG343800	AKTW24 WH	117	\$18.10	\$13.92	\$3.48	White 24" wand extension component
BG349000	AKTW24 Z	147	\$21.35	\$16.42	\$4.11	Zet 24" wand extension component
BG349100	AKTW36 Z	144	\$23.55	\$18.11	\$4.53	Zet 36" wand extension component
BG349200	AKTW48 Z	109	\$28.00	\$21.54	\$5.39	Zet 48" wand extension component
BG370800	AKTWC BL	2608	\$3.50	\$2.69	\$1.66	Black Wireway cover
BG363000	AKTWC Z	111	\$6.75	\$5.19	\$1.66	Zet Wireway cover
BG329000	AKTX BL	139	\$23.35	\$17.96	\$4.49	Black X Connector

# ArchiTrak® TRACK PRICE LIST

**WHILE SUPPLIES LAST**  
Up to 75% off AAL and 100% Overage



We are currently in an overstock situation on many of these items.. This translates into an opportunity for the availability of high quality track products at dramatically reduced prices with great overage opportunities. While supplies last, Prescolite has a limited number of metal halide track heads available up to 75% off AAL pricing. All orders must be identified with AP ArchiTrak promotion code and shipped by August 30, 2012. Commission will be 10% with 100% overage.

All products on this list are sold with a one-year warranty. We encourage you to take advantage of this unique opportunity and look forward to supporting you in any way possible.



PRODUCT FAMILY	PRODUCT NUMBER	CATALOG NUMBER	QTY	OSP	AAL	SALE PRICE
ED17 Metal Halide Gimbals	BG1002000	AKTMHED17100EC BL	154	\$264.45	\$203.41	\$75.00
	BG1001900	AKTMHED17100EC WH	211	\$264.45	\$203.41	\$75.00
	BG1001700	AKTMHED171000C BL	150	\$264.45	\$203.41	\$75.00
	BG1001600	AKTMHED171000C WH	189	\$264.45	\$203.41	\$75.00
	BG927800	AKTMHED1770EC BL	506	\$264.95	\$203.80	\$75.00
	BG927900	AKTMHED1770EC WH	329	\$264.95	\$203.80	\$75.00
	BG927600	AKTMHED17700C BL	155	\$264.95	\$203.80	\$75.00
ED17 Signos M	BG883000	AKTMHED17100A BL	59	\$300.20	\$230.91	\$75.00
	BG882900	AKTMHED17100A WH	71	\$300.20	\$230.91	\$75.00
	BG883100	AKTMHED17100A Z	28	\$303.45	\$233.41	\$75.00
	BG882700	AKTMHED1770A BL	56	\$295.30	\$227.14	\$75.00
	BG882600	AKTMHED1770A WH	61	\$295.30	\$227.14	\$75.00
	BG882800	AKTMHED1770A Z	25	\$298.55	\$229.64	\$75.00
ED17 Wall Wash	BG928200	AKTMHED170WW BL	59	\$295.30	\$227.14	\$75.00
	BG928100	AKTMHED170WW WH	396	\$295.30	\$227.14	\$75.00
	BG928300	AKTMHED170WW Z	24	\$298.55	\$229.64	\$75.00
	BG928700	AKTMHED2100WW BL	48	\$492.05	\$378.48	\$100.00
	BG928800	AKTMHED2100WW WH	47	\$492.05	\$378.48	\$100.00
	BG928900	AKTMHED2100WW Z	30	\$495.25	\$380.95	\$100.00
	BG928500	AKTMHED270WW BL	60	\$474.20	\$364.75	\$90.00
MM20 Signos M	BG928400	AKTMHED270WW WH	31	\$474.20	\$364.75	\$90.00
	BG928600	AKTMHED270WW Z	26	\$477.45	\$367.25	\$90.00
	BG1002618	AKTMHMM20 BL	20	\$297.90	\$228.89	\$75.00
	BG1002601	AKTMHMM20 WH	182	\$297.90	\$228.89	\$75.00
	BG100261Z	AKTMHMM20 Z	31	\$301.15	\$231.64	\$75.00

# ArchiTrak® TRACK PRICE LIST

(CONTINUED)



PRODUCT FAMILY	PRODUCT NUMBER	CATALOG NUMBER	QTY	OSP	AAL	SALE PRICE
PAR20 Metal Halide Gimbals	BG884400	AKTMHGR2039 BL	58	\$259.50	\$199.61	\$75.00
	BG884500	AKTMHGR2039 WH	41	\$259.50	\$199.61	\$75.00
	BG884600	AKTMHGR2039 Z	109	\$262.75	\$202.11	\$75.00
PAR20 Signos M	BG880800	AKTMHP2039 WH	69	\$295.30	\$227.14	\$75.00
	BG881000	AKTMHP2039 Z	23	\$298.55	\$229.64	\$75.00
PAR30 Metal Halide Gimbals	BG884700	AKTMHGR3039 WH	37	\$259.50	\$199.61	\$75.00
	BG884900	AKTMHGR3039 Z	56	\$262.75	\$202.11	\$75.00
	BG927000	AKTMHGR3070 BL	95	\$266.60	\$205.07	\$75.00
	BG926900	AKTMHGR3070 WH	248	\$266.60	\$205.07	\$75.00
PAR30 Signos M	BG927100	AKTMHGR3070 Z	32	\$269.85	\$207.57	\$75.00
	BG881200	AKTMHP3039 BL	18	\$295.30	\$227.14	\$75.00
	BG881100	AKTMHP3039 WH	186	\$295.30	\$227.14	\$75.00
	BG881300	AKTMHP3039 Z	40	\$298.55	\$229.64	\$75.00
	BG881500	AKTMHP3070 BL	263	\$295.30	\$227.14	\$75.00
	BG881400	AKTMHP3070 WH	234	\$295.30	\$227.14	\$75.00
PAR38 Metal Halide Gimbals	BG881600	AKTMHP3070 Z	35	\$298.55	\$229.64	\$75.00
	BG885100	AKTMHGR38100 BL	582	\$282.75	\$217.49	\$75.00
	BG885000	AKTMHGR38100 WH	128	\$282.75	\$217.49	\$75.00
	BG885200	AKTMHGR38100 Z	246	\$286.00	\$219.99	\$75.00
	BG927300	AKTMHGR3870 BL	481	\$277.45	\$213.41	\$75.00
PAR38 Signos M	BG927200	AKTMHGR3870 WH	115	\$277.45	\$213.41	\$75.00
	BG927400	AKTMHGR3870 Z	23	\$280.70	\$215.91	\$75.00
	BG881900	AKTMHP3870 Z	5	\$298.55	\$229.64	\$75.00
R111 Signos M	BG1002718	AKTMHR11135 BL	70	\$304.75	\$234.16	\$75.00
	BG1002701	AKTMHR11135 WH	157	\$304.75	\$234.16	\$75.00
	BG100271Z	AKTMHR11135 Z	35	\$308.00	\$236.91	\$75.00
	BG1002818	AKTMHR11170 BL	68	\$304.75	\$234.16	\$75.00
	BG1002801	AKTMHR11170 WH	161	\$304.75	\$234.16	\$75.00
	BG100281Z	AKTMHR11170 Z	28	\$308.00	\$236.91	\$75.00
T4 Signos M	BG883300	AKTMHT439 BL	18	\$295.30	\$227.14	\$75.00
	BG883200	AKTMHT439 WH	28	\$295.30	\$227.14	\$75.00
	BG883400	AKTMHT439 Z	27	\$298.55	\$229.64	\$75.00
	BG883600	AKTMHT470 BL	60	\$295.30	\$227.14	\$75.00
	BG883500	AKTMHT470 WH	105	\$295.30	\$227.14	\$75.00
	BG883700	AKTMHT470 Z	36	\$298.55	\$229.64	\$75.00
	BG883900	AKTMHT639 BL	104	\$295.30	\$227.14	\$75.00
T6 Signos M	BG883800	AKTMHT639 WH	73	\$295.30	\$227.14	\$75.00
	BG884000	AKTMHT639 Z	45	\$298.55	\$229.64	\$75.00
	BG884200	AKTMHT670 BL	47	\$295.30	\$227.14	\$75.00
	BG884100	AKTMHT670 WH	120	\$295.30	\$227.14	\$75.00
	BG884300	AKTMHT670 Z	27	\$295.30	\$227.14	\$75.00

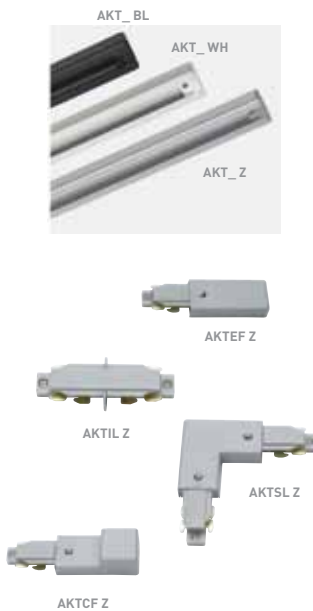
# ArchiTrak<sup>®</sup> TRACK PRICE LIST TRACK ACCESSORIES

Don't forget to order all the track accessories you'll need while taking full advantage of this great opportunity.



TRACK CONNECTORS	PRODUCT NUMBER	CATALOG NUMBER	QTY	OSP	AAL	SALES PRICE
White T connector	BG328700	AKTT WH	133	\$19.40	\$14.92	\$3.73
Zet T connector	BG345200	AKTT Z	102	\$22.65	\$17.42	\$4.36
Black X connector	BG329000	AKTX BL	125	\$23.35	\$17.96	\$4.49
White Flex connector	BG329100	AKTF WH	248	\$15.70	\$12.08	\$8.16
Zet Flex connector	BG345400	AKTF Z	613	\$18.95	\$14.58	\$3.65
Black Live-end connector with cord	BG329600	AKTCC BL	210	\$12.00	\$9.32	\$6.39
White Live-end connector with cord	BG329500	AKTCC WH	122	\$12.00	\$9.32	\$6.39
Black Power feed cover	BG341800	AKTPFC BL	151	\$3.50	\$2.69	\$0.67
Zet Mounting Adapter (Mono point)	BG348400	AKTMP Z	550	\$11.55	\$8.88	\$3.34
Black Wireway cover	BG370800	AKTWC BL	2,605	\$3.50	\$2.69	\$1.66
Zet Wireway cover	BG363000	AKTWC Z	110	\$6.75	\$5.19	\$1.66
Black Outlet Adaptor	BG721000	AKTOA BL	256	\$13.90	\$10.69	\$2.67
Zet Outlet Adaptor	BG721100	AKTOA Z	136	\$17.15	\$13.19	\$3.30

For your convenience, the track rails and basic connectors are listed below:



RAILS & BASIC CONNECTORS	PRODUCT NUMBER	CATALOG NUMBER	OSP	AAL
Black 2 ft. ArchiTrak Rail	BG836900	AKT2 BL	\$17.20	\$13.23
White 2 ft. ArchiTrak Rail	BG837000	AKT2 WH	\$17.20	\$13.23
Zet 2 ft. ArchiTrak Rail	BG837100	AKT2 Z	\$20.40	\$15.69
Black 4 ft. ArchiTrak Rail	BG837200	AKT4 BL	\$23.25	\$17.88
White 4 ft. ArchiTrak Rail	BG837300	AKT4 WH	\$23.25	\$17.88
Zet 4 ft. ArchiTrak Rail	BG837400	AKT4 Z	\$26.50	\$20.38
Black 6 ft. ArchiTrak Rail	BG837500	AKT6 BL	\$30.60	\$23.54
White 6 ft. ArchiTrak Rail	BG837600	AKT6 WH	\$30.60	\$23.54
Zet 6 ft. ArchiTrak Rail	BG837700	AKT6 Z	\$33.80	\$26.00
Black 8 ft. ArchiTrak Rail	BG837800	AKT8 BL	\$44.00	\$33.84
White 8 ft. ArchiTrak Rail	BG837900	AKT8 WH	\$44.00	\$33.84
Zet 8 ft. ArchiTrak Rail	BG838000	AKT8 Z	\$47.20	\$36.31
Black 12 ft. ArchiTrak Rail	BG838100	AKT12 BL	\$61.85	\$47.58
White 12 ft. ArchiTrak Rail	BG838200	AKT12 WH	\$61.85	\$47.58
Zet 12 ft. ArchiTrak Rail	BG838300	AKT12 Z	\$65.05	\$50.04
Black Live-end connector	BG328200	AKTEF BL	\$9.15	\$7.04
White Live-end connector	BG328100	AKTEF WH	\$9.15	\$7.04



AKTPFCC Z



AKTFF Z



AKTMP Z



AKTEC Z

RAILS & BASIC CONNECTORS	PRODUCT NUMBER	CATALOG NUMBER	OSP	AAL
Zet Live-end connector	BG344900	AKTEF Z	\$12.40	\$9.54
Black In-line connector	BG328400	AKTIL BL	\$7.65	\$5.88
White In-line connector	BG328300	AKTIL WH	\$7.65	\$5.88
Zet In-line connector	BG345000	AKTIL Z	\$10.90	\$8.38
Black Straight/L connector	BG328600	AKTSL BL	\$13.55	\$10.42
White Straight/L connector	BG328500	AKTSL WH	\$13.55	\$10.42
Zet Straight/L connector	BG345100	AKTSL Z	\$16.80	\$12.92
Black T connector	BG328800	AKTT BL	\$19.40	\$14.92
White X connector	BG328900	AKTX WH	\$23.35	\$17.96
Zet X connector	BG345300	AKTX Z	\$26.60	\$20.46
Black Flex connector	BG329200	AKTF BL	\$15.70	\$12.08
White Conduit end feed	BG329300	AKTCF WH	\$8.20	\$6.31
Zet Conduit end feed	BG345500	AKTCF Z	\$11.45	\$8.81
Zet Live-end connector with cord	BG476900	AKTCC Z	\$15.25	\$11.73
T-bar mounting clips	BG341600	AKTTBC	\$2.40	\$1.85
White Power feed cover	BG341700	AKTPFC WH	\$3.50	\$2.69
Zet Power feed cover	BG348100	AKTPFC Z	\$6.75	\$5.19
Black Outlet box cover plate	BG342000	AKTPFCC BL	\$6.10	\$4.69
White Outlet box cover plate	BG341900	AKTPFCC WH	\$6.10	\$4.69
Zet Outlet box cover plate	BG348200	AKTPFCC Z	\$9.35	\$7.19
Black Floating feed	BG342200	AKTFF BL	\$10.60	\$8.15
White Floating feed	BG342100	AKTFF WH	\$10.60	\$8.15
Zet Floating feed	BG348300	AKTFF Z	\$13.85	\$10.65
Black Mounting Adapter (Mono point)	BG342400	AKTMP BL	\$8.30	\$6.38
White Mounting Adapter (Mono point)	BG342300	AKTMP WH	\$8.30	\$6.38
Black Pendant Adaptor	BG342600	AKTPA BL	\$9.85	\$7.58
White Pendant Adaptor	BG342500	AKTPA WH	\$9.85	\$7.58
Zet Pendant Adaptor	BG363100	AKTPA Z	\$13.10	\$10.08
Black End cap	BG342800	AKTEC BL	\$1.55	\$1.19
White End cap	BG342700	AKTEC WH	\$1.55	\$1.19
Zet End cap	BG348500	AKTEC Z	\$4.80	\$3.69
White Wireway cover	BG342900	AKTWC WH	\$3.50	\$2.69
White Outlet Adaptor	BG720900	AKTOA WH	\$13.90	\$10.69