



Garage Light

PGM40LED Series LED Low Profile Parking Garage Light



3000K or warmer CCTs only

SPECIFICATIONS:

	PGM40LED3K	PGM40LED
Lumens:	5,528	5,528
Watts:	41.20	41.20
Lumens/Watt:	134.18	134.18
CRI:	82.7	82.7
CCT:	3114	4500
LC Prod. ID:	PGGIHGS9	PVV7FXDK

Construction:

Designed for commercial and industrial applications, providing cooler operating temperatures, brighter light and longer LED life. Apertures for continuous wiring. Housing is hinged for quick and easy mounting and entrance.

Zero Glare:

Using the latest high brightness, high LED count technology, more usable light output is produced while eliminating glare. The high transmission lens, with 91% efficiency, is high impact, scratch resistant and protects the LEDs. At the same time, it delivers improved visual comfort by eliminating any glare and providing a wider smoother and more uniform light output.

Thermal Management:

The Atlas Low Profile Parking Garage Light is designed as a complete system to optimize LED life and light output. The Patent Pending thermal stacking heat removal technology extracts heat from within the housing moving it away from LEDs and components. The lower temperatures result in long LED life (200,000+ hrs) and component life and also allows for higher light output.

Listings:

Luminaire is certified to UL/cUL Standards for Damp Locations
IDA Listed
DesignLights Consortium Premium qualified luminaire, eligible for rebates from DLC member utilities.

AC Input:

120/208/240/277 V

Driver:

Constant current, Class 2 120-277 VAC, 47-63Hz

High Efficiency – min. 85%

Off-State Power: 0 Watts

Dimming 0-10V

LEDs:

3000K | 4500K CCT

Epoxy Guard™ protective conformal coated boards

Atlas LEDs provide higher lumen output, greater energy efficiency and more reliable fixture performance. They are tested and binned at 700mA which is the actual operating current used in Atlas LED luminaires, giving a better representation of actual performance.

Temperatures: Min Start: -35°C Max: 50°C

Warranty: Five-year limited warranty

Testing:

Atlas LED luminaires have been tested by an independent laboratory in accordance with IESNA LM-79 & LM-80.

Weight: 10.0 lbs.

Options:

Emergency Battery Back Up: For factory installed Emergency Back-Up add suffix EB to part number. Provides emergency illumination (1,580 lumens) for a minimum of 90 minutes. *(Requires larger back housing.)*

Synapse Control: For factory installed Synapse Control add suffix SC to part number. *(Requires larger back housing.)*

Project Information

Job Name

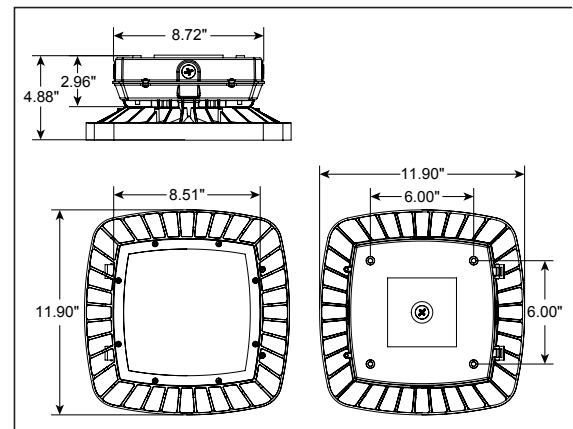
Fixture Type 40W LED Low Profile Parking Garage Light

Catalog Number PGM40LED Series

Approved by



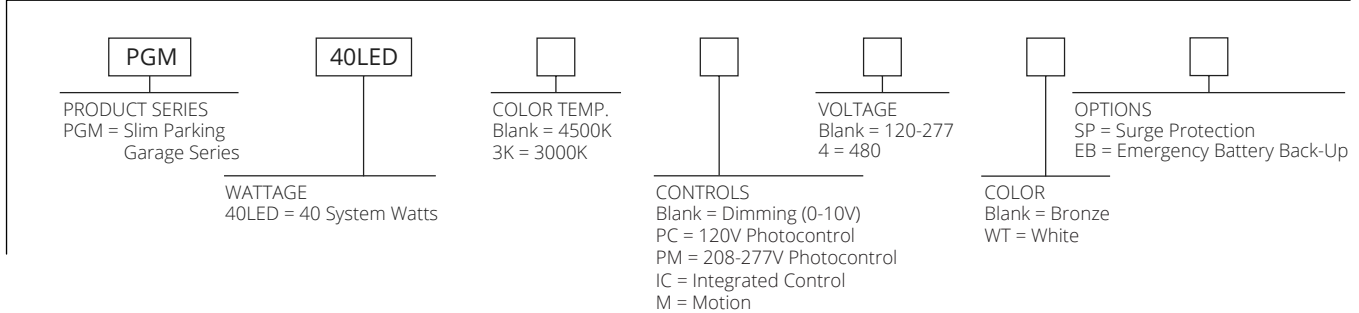
DIMENSIONS:



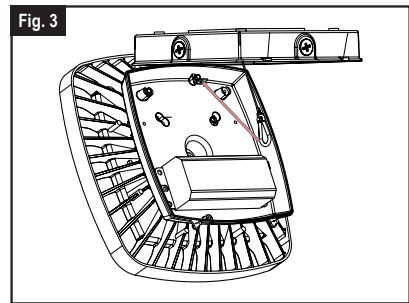
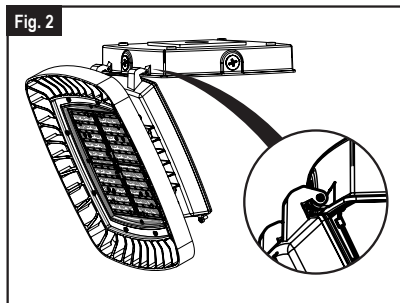
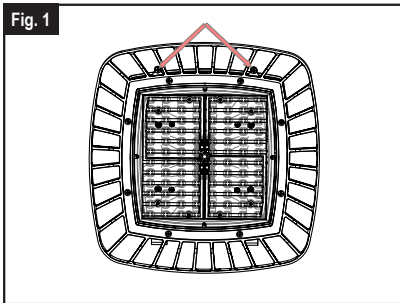
**Rebates and Incentives are available in many areas.
Contact an Atlas Representative for more information.**

¹LED Life Span Based Upon LM-80 Test Results

ORDERING FORMAT



MOUNTING DETAIL



ENERGY SAVINGS

LED		HID			ANNUAL SAVINGS
WATTAGE	ANNUAL COST	SOURCE WATTAGE	TOTAL WATTAGE USED	ANNUAL COST	
40	\$18	100	129	\$77	\$59
40	\$18	150	185	\$100	\$82
40	\$18	175	210	\$112	\$94