


Mueller Streamline Co.
Address: 8285 Tournament Dr., Suite 150

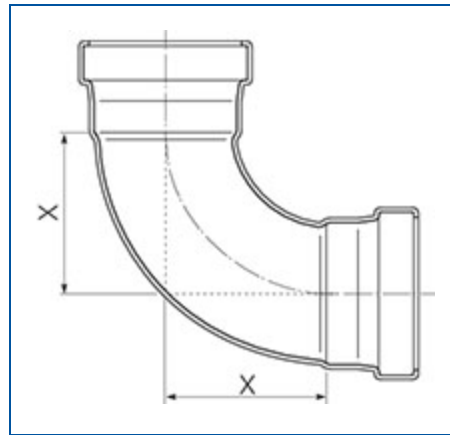
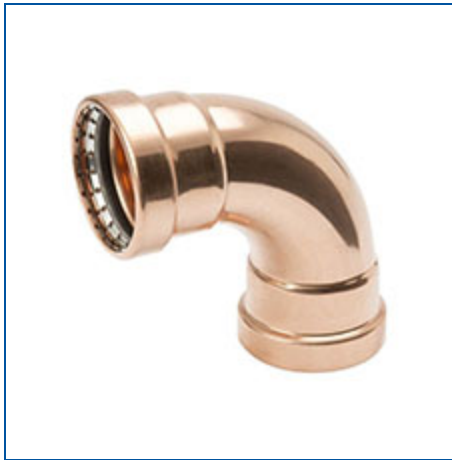
Memphis, TN 38125

Ph: 901-753-3200

Email: contact@muellerindustries.com
Web: <http://www.muellerindustries.com/>

Item # PF 02082, Copper Elbow 90°, P x P, 2-1/2" x 2-1/2"

Streamline® PRS™ Copper-Press Fittings is a flameless joining alternative for plumbing or mechanical applications. Available sizes ranging from 1/2" to 4" in diameter.


[Specifications](#) | [Dimensions](#) | [Details](#)

Specifications

Weight	2.090 lb
Material	COPPER
Operating Temperature [Min]	-20 °F
Operating Temperature [Max]	250 °F
Operating Pressure [Max]	200 psi
End Type	Press
End Size	2 1/2 in
Second End Type	Press
Second End Size	2 1/2 in
Standards	ASME B16.51 IAPMO PS-117 NSF/ANSI 61 NSF/ANSI 372 CSA TIL-MSE-13

Dimensions

Overall Length	6.28 in
Overall Height	6.28 in
Overall Width	3.18 in
X	2.99 in

Details

Qty Pcs / Bag	1
Master Qty Pcs / Box	12
Mueller Description	2-1/2 P X P LT 90 ELL