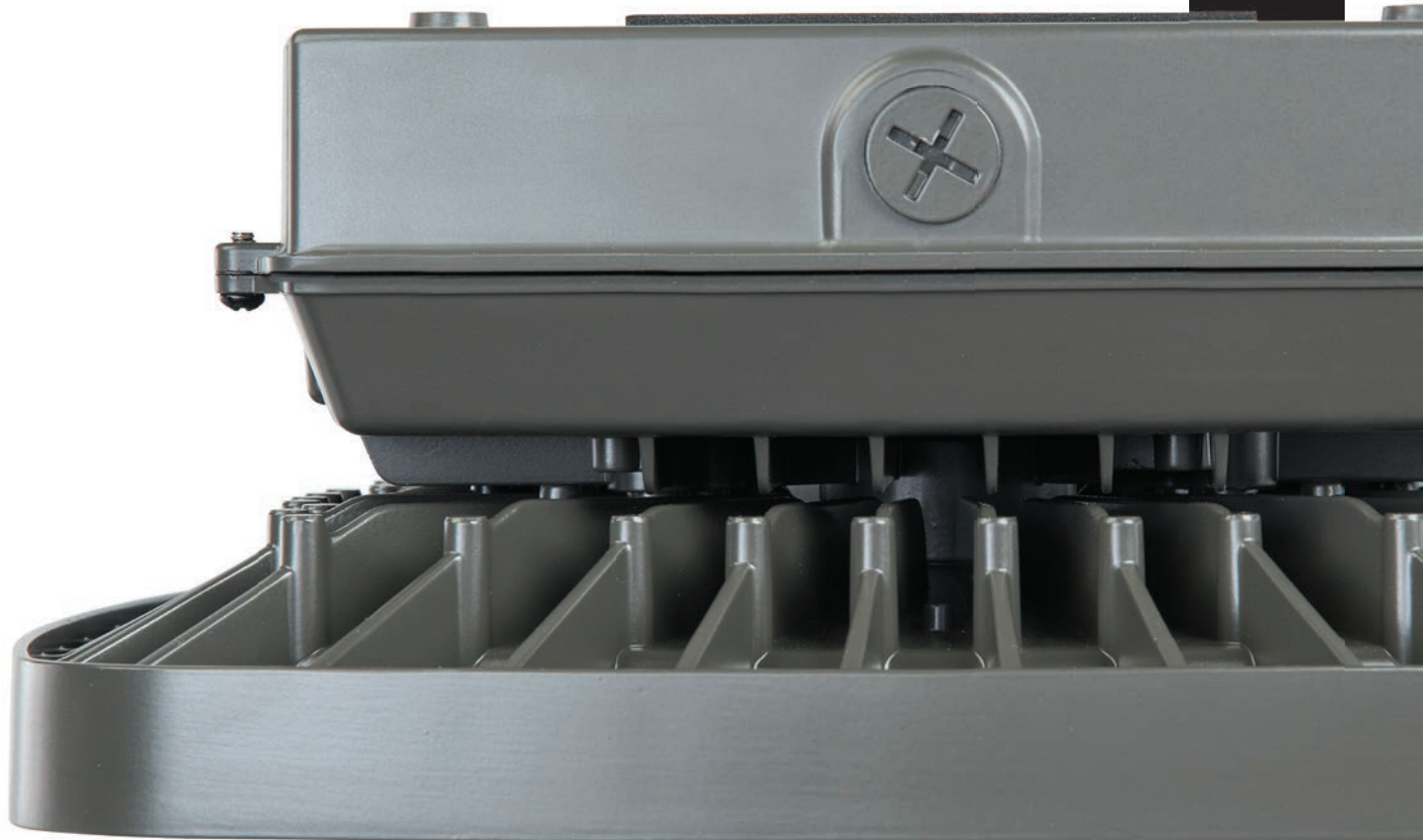


LOW PROFILE
**LED CANOPY &
PARKING GARAGE**

3,000-10,000 LUMENS
25 - 80 WATTS



Atlas
Lighting Products®

PRODUCT FEATURES

THERMAL STACKING

The Atlas Low Profile Parking Garage Light is designed as a complete system to optimize LED life and light output. The Patent Pending thermal stacking heat removal technology extracts heat from within the housing moving it away from LEDs and components.

EASY INSTALLATION

Multiple design features, such as the hinged and removable back housing, make installation quick, easy and secure.

CONSTRUCTION

These housings are made of durable die-cast aluminum. The attractive styling incorporates external airflow fins to maximize heat dissipation.

CONTROLS

Released Spring 2018

PHILIPS
ADVANCE

Quality LED Drivers

FINISH

The Atlas DuraFinish process ensures better color retention, paint adhesion, UV light and corrosion resistance. Available in bronze or white finishes standard.



LEDS

Using the latest high brightness, high count LED technology more usable light is produced while eliminating glare.

ENERGY EFFICIENT VERSATILITY

With multiple wattages (25 thru 80 watts) and lumen packages (3,000 thru 10,000) the low profile canopy and parking garage fixtures offer energy efficient versatility for many lighting jobs.

BURN-IN

All Atlas LED fixtures, are burned in after assembly for a minimum of 48 hours. During this burn in stage the fixtures are cycled on and off as well as monitored for quality.

LOW PROFILE

The profile is less than 5" tall offering easy integration into either existing retrofit applications or new construction opportunities.

EMERGENCY BATTERY
BACK-UP AVAILABLE*

4.88"



*Requires deeper housing

LOW PROFILE LED CANOPY & PARKING GARAGE

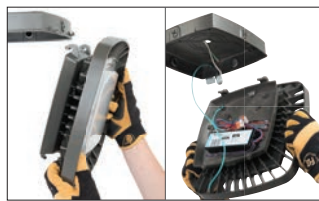
Atlas' **Low Profile Canopy and Parking Garage Series** offers a Brighter Solution for a wide range of Canopy and Parking Garage applications. The Atlas Low Profile Canopy and Parking Garage Lights are designed as a complete system to optimize LED life and light output. The profile is less than 5 inches tall offering easy integration into either existing retrofit applications or new construction opportunities. Multiple design features such as the hinged and removable back housing make installation quick, easy and secure.

QUICK & EASY INSTALLATION



STEP 1

Attach top housing to either mounting box or conduit



STEP 2

Hang bottom housing to the top by connecting the hinges



STEP 3

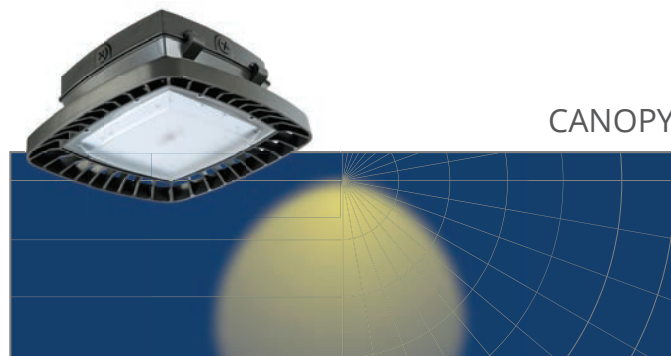
Wire fixture using provided quick connect connectors



STEP 4

Simply Close fixture and tighten 2 screws

DISTRIBUTION PATTERN



CANOPY

The high transmission lens, with 91% efficiency, is high impact, scratch resistant and protects the LEDs. At the same time, it delivers improved visual comfort by eliminating any glare and providing a wide smooth and uniform light output.



PARKING GARAGE

The optics have been engineered specifically for parking garage applications. The distribution pattern has been created to optimize fixture spacing and reduce fixture counts while delivering improved visual comfort and eliminating glare.

LOW PROFILE LED PARKING GARAGE

REPLACES UP TO 400W MH



11.90"Wx4.88"Hx11.90"D
10 LBS

- Optics designed for parking garage applications
- Low Profile Design – Less than 5"
- Easy Installation
- Emergency Back Up Available

ORDERING INFORMATION

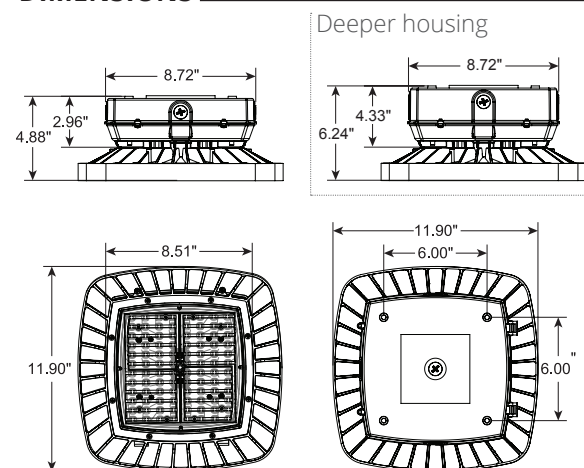
CATALOG #	LUMENS	WATTAGE	LPW	CRI	CCT	VOLTS
PGM25LED3K	3,387	25 Watt LED	138	83	3000K	120-277
PGM25LED	3,387	25 Watt LED	138	83	4500K	120-277
PGM40LED3K	5,528	40 Watt LED	134	82	3000K	120-277
PGM40LED	5,528	40 Watt LED	134	82	4500K	120-277
PGM60LED3K	7,693	60 Watt LED	130	82	3000K	120-277
PGM60LED	7,693	60 Watt LED	130	82	4500K	120-277
PGM80LED3K	9,830	80 Watt LED	124	82	3000K	120-277
PGM80LED	9,830	80 Watt LED	124	82	4500K	120-277

OPTIONS

ADD SUFFIX #	DESCRIPTION	ADD SUFFIX #	DESCRIPTION
4	480V Driver	IC	Integrated Control
SP	Surge Protection	M	Motion
EB	Emergency Battery Backup*		

*Requires deeper housing

DIMENSIONS



200,000+ HOURS



*The majority of Atlas Lighting Products are assembled in USA facilities by an American Workforce utilizing both Domestic and Foreign components

LOW PROFILE LED PARKING GARAGE

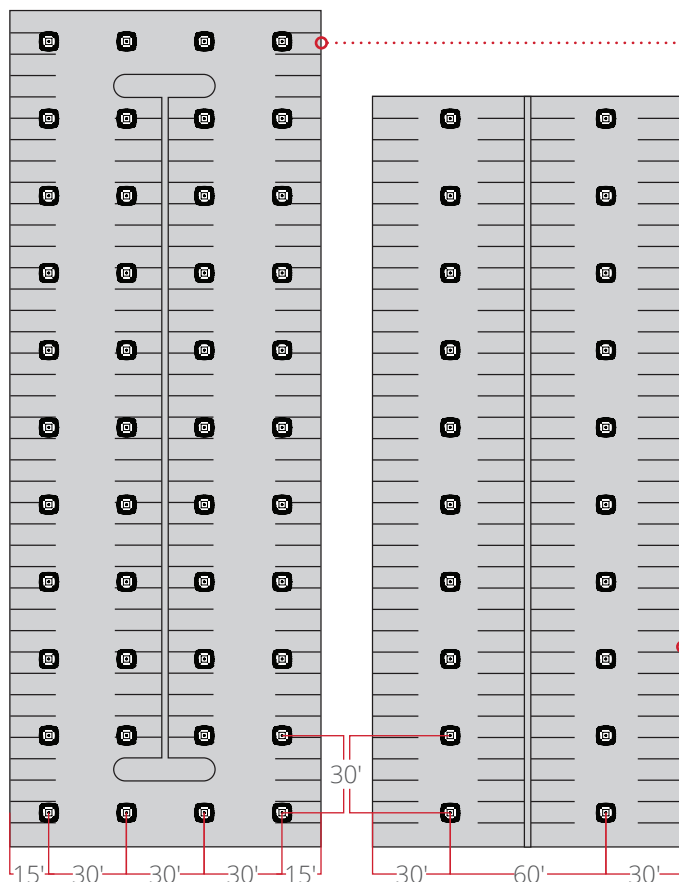
DESIGN PRACTICES

Lighting design for parking structures normally follows specific published guidelines and design practices as defined by the Illuminating Engineering Society of North America (IESNA). IESNA publishes recommended guidelines to help facilitate garage lighting design. The following minimum guidelines are established for safety and security of pedestrians and property within the space.

IESNA RP-20-98 Recommended Maintained Illuminance Values for Parking Garage Facilities

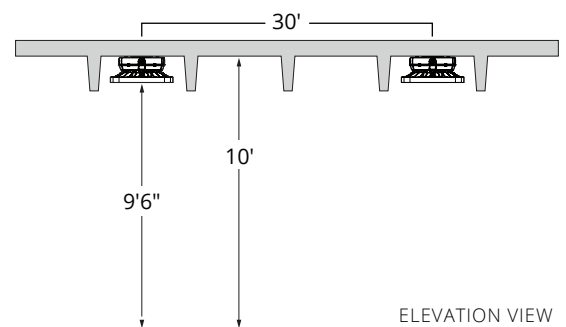
AREA OF ILLUMINATION	MINIMUM FOOTCANDLE LEVEL (ON FLOOR)	MAXIMUM / MINIMUM FOOTCANDLE LEVEL (ON FLOOR)	VERTICAL READING AREA OF ILLUMINATION (ON FLOOR)	MINIMUM FOOTCANDLE LEVEL (60" ABOVE FLOOR)*
Basic	1	10:01	Basic	0.5
Ramps (Day)	2	10:01	Ramps (Day)	1
Ramps (Night)	1	10:01	Ramps (Night)	0.5
Entrance Areas (Day)	50	10:01	Entrance Areas (Day)	25
Entrance Areas (Night)	1	10:01	Entrance Areas (Night)	0.5
Stairways	2	N/A	Stairways	1

*Vertical reading is taken at lowest point of horizontal illumination level.



SIDES OF DRIVE FIXTURE LOCATION

Fixture spacing = 30' x 30' on center spacing (two per bay). Fixtures mounted 9' to bottom of fixture, even with the bottom of t-joists.



CENTER OF DRIVE FIXTURE LOCATION

Fixture spacing = 30' centered down drive lane; 60' on center between driving lanes (one per bay). Fixtures mounted 9' to bottom of fixture, even with the bottom of t-joists.

LOW PROFILE LED CANOPY

REPLACES UP TO 400W MH



11.90"Wx4.88"Hx11.90"D
10 LBS

- Low Profile Design – Less than 5"
- 91 percent efficient lens
- Easy Installation
- Emergency Back Up Available

ORDERING INFORMATION

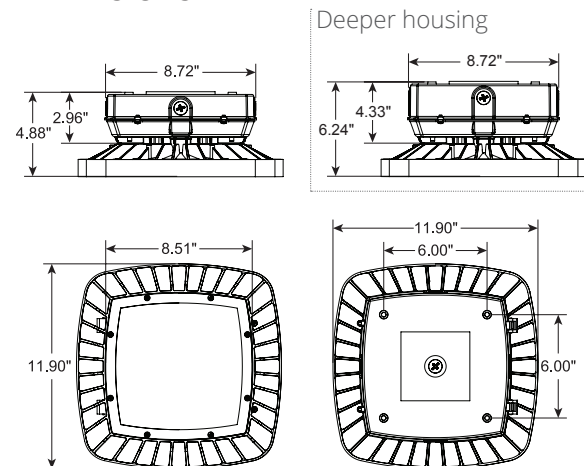
CATALOG #	LUMENS	WATTAGE	LPW	CRI	CCT	VOLTS
CPM25LED3K	3,363	25 Watt LED	137	83	3000K	120-277
CPM25LED	3,363	25 Watt LED	137	83	4500K	120-277
CPM40LED3K	5,452	40 Watt LED	135	82	3000K	120-277
CPM40LED	5,401	40 Watt LED	133	82	4500K	120-277
CPM60LED3K	7,680	60 Watt LED	127	82	3000K	120-277
CPM60LED	7,514	60 Watt LED	127	82	4500K	120-277
CPM80LED3K	9,691	80 Watt LED	122	82	3000K	120-277
CPM80LED	9,691	80 Watt LED	122	82	4500K	120-277

OPTIONS

ADD SUFFIX #	DESCRIPTION	ADD SUFFIX #	DESCRIPTION
4	480V Driver	IC	Integrated Control
SP	Surge Protection	M	Motion
EB	Emergency Battery Backup*		

*Requires deeper housing

DIMENSIONS



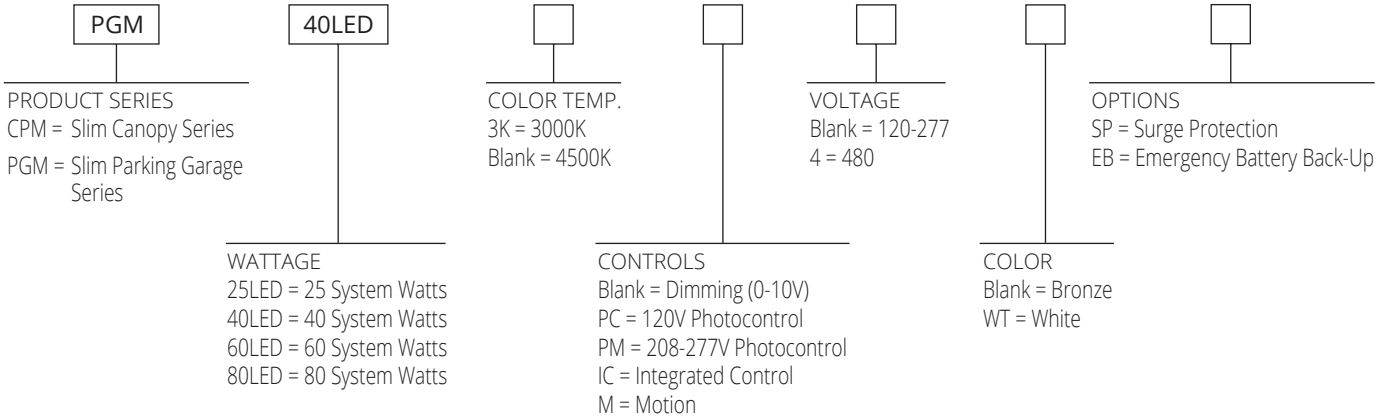
200,000+ HOURS



*The majority of Atlas Lighting Products are assembled in USA facilities by an American Workforce utilizing both Domestic and Foreign components

LOW PROFILE LED PARKING GARAGE & CANOPY

ORDERING FORMAT



ENERGY SAVINGS



HID

SOURCE WATTAGE	TOTAL WATTAGE USED	ANNUAL COST*
70W MH	90	\$59
100W MH	129	\$77
100W MH	129	\$77
175W MH	210	\$112
175W MH	210	\$112
250W MH	290	\$142
250W MH	290	\$142
400W MH	458	\$226



LED

WATTAGE	ANNUAL COST	ANNUAL SAVINGS
25W LED	\$11	\$48
25W LED	\$11	\$66
40W LED	\$18	\$59
40W LED	\$18	\$94
60W LED	\$26	\$86
60W LED	\$26	\$116
80W LED	\$35	\$107
80W LED	\$35	\$191



LOW PROFILE

LED CANOPY & PARKING GARAGE



PO BOX 2348 BURLINGTON, NC 27216
1406 S. MEBANE STREET BURLINGTON, NC 27215
800-849-8485 | FAX 336-227-0110
WWW.ATLASLED.COM

452-156B 041818
