


Mueller Streamline Co.
Address: 8285 Tournament Dr., Suite 150

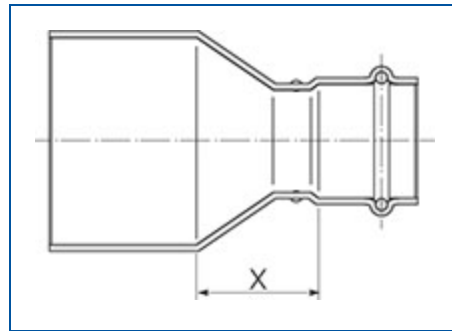
Memphis, TN 38125

Ph: 901-753-3200

Email: contact@muellerindustries.com
Web: <http://www.muellerindustries.com/>

Item # PF 01379, Copper Reducer, FTG x P, 3" x 1-1/4"

Streamline® PRS™ Copper-Press Fittings is a flameless joining alternative for plumbing or mechanical applications. Available sizes ranging from 1/2" to 4" in diameter.


[Specifications](#) | [Dimensions](#) | [Details](#)

Specifications

Weight	1.100 lb
Material	COPPER
Operating Temperature [Min]	-20 °F
Operating Temperature [Max]	250 °F
Operating Pressure [Max]	200 psi
End Type	Fitting
End Size	3 in
Second End Type	Press
Second End Size	1 1/4 in

Standards	ASME B16.51 IAPMO PS-117 NSF/ANSI 61 NSF/ANSI 372 CSA TIL-MSE-13
------------------	--

Dimensions

Overall Length	4.98 in
Overall Height	3.12 in
Overall Width	3.12 in
X	1.83 in

Details

Qty Pcs / Bag	1
Master Qty Pcs / Box	25
Mueller Description	3 FTG X 1-1/4 P FTG RED