


**Mueller Streamline Co.**
**Address:** 8285 Tournament Dr., Suite 150

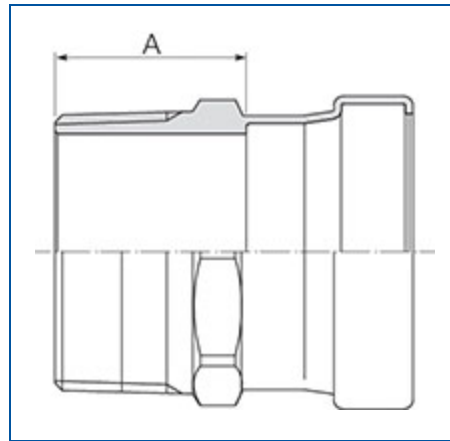
Memphis, TN 38125

**Ph:** 901-753-3200

**Email:** [contact@muellerindustries.com](mailto:contact@muellerindustries.com)
**Web:** <http://www.muellerindustries.com/>

Item # PF 01150, Copper Male Adapter, P x MPT, 4" x 4"

Streamline® PRS™ Copper-Press Fittings is a flameless joining alternative for plumbing or mechanical applications. Available sizes ranging from 1/2" to 4" in diameter.


[Specifications](#) | [Dimensions](#) | [Details](#)

## Specifications

**Weight** 3.820 lb

**Material** COPPER

**Operating Temperature [Min]** -20 °F

**Operating Temperature [Max]** 250 °F

**Operating Pressure [Max]** 200 psi

**End Type** Press

**End Size** 4 in

**Second End Type** MNPT

**Second End Size** 4 in

**Standards** ASME B16.51  
 IAPMO PS-117  
 NSF/ANSI 61  
 NSF/ANSI 372  
 CSA TIL-MSE-13

## Dimensions

<b>Overall Length</b>	4.49 in
<b>Overall Height</b>	4.53 in
<b>Overall Width</b>	4.53 in
<b>A</b>	2.26 in

## Details

<b>Qty Pcs / Bag</b>	1
<b>Master Qty Pcs / Box</b>	12
<b>Mueller Description</b>	4 P X M ADAPTER