


Mueller Streamline Co.
Address: 8285 Tournament Dr., Suite 150

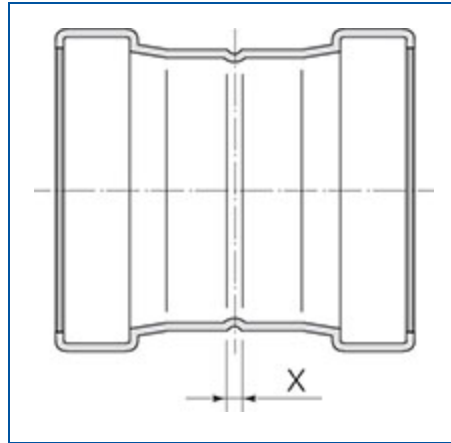
Memphis, TN 38125

Ph: 901-753-3200

Email: contact@muellerindustries.com
Web: <http://www.muellerindustries.com/>

Item # PF 10154, Copper Coupling w/Stop, P x P, 4" x 4"

Streamline® PRS™ Copper-Press Fittings is a flameless joining alternative for plumbing or mechanical applications. Available sizes ranging from 1/2" to 4" in diameter.


[Specifications](#) | [Dimensions](#) | [Details](#)

Specifications

Weight	2.420 lb
Material	COPPER
Operating Temperature [Min]	-20 °F
Operating Temperature [Max]	250 °F
Operating Pressure [Max]	200 psi
End Type	Press
End Size	4 in
Second End Type	Press
Second End Size	4 in
Standards	ASME B16.51 IAPMO PS-117 NSF/ANSI 61 NSF/ANSI 372 CSA TIL-MSE-13

Dimensions

Overall Length	4.33 in
Overall Height	4.68 in
Overall Width	4.68 in
X	0.16 in

Details

Qty Pcs / Bag	1
Master Qty Pcs / Box	12
Mueller Description	4 P X P COUPLING