

DESCRIPTION:
KIT-LNC2 BKPLT CVR F/BKBOX

JOB:

CAT. NUMBER:
93076342XX : "XX" = FINISH

APPROVALS:

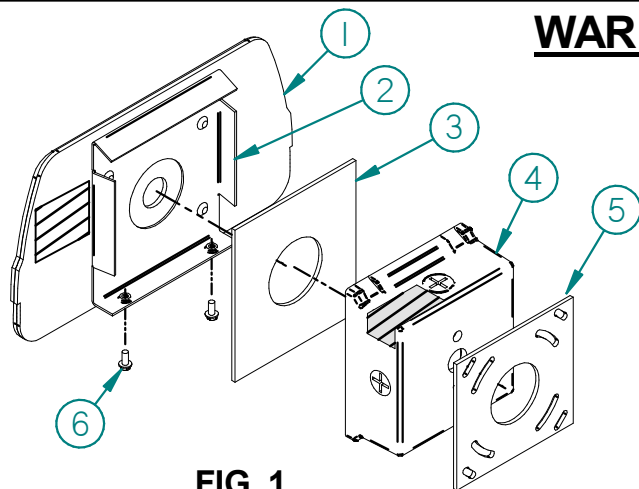
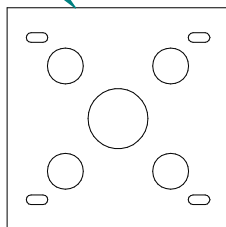


FIG. 1

GASKET WITH
MULTIPLE HOLES
NOT USED - DISGAURD

FIG. 4



Complete fixture not shown for clarity

**FIXTURE LUMINAIRE AND BBGEO BOX
ARE NOT TO BE SUPPORTED BY CONDUIT.**

**WARNING: DISCONNECT POWER
BEFORE SERVICING**

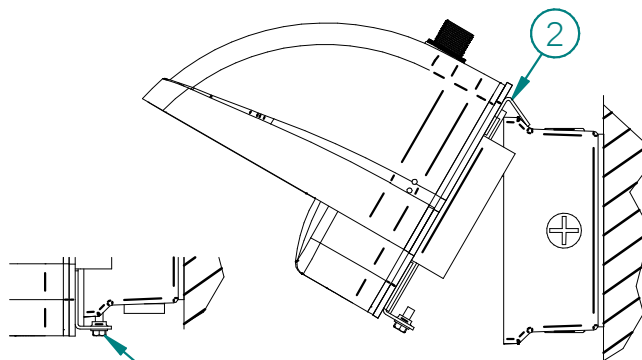
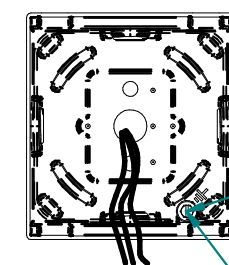


FIG. 5

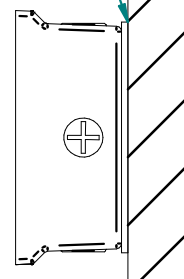
FIG. 3



GROUND SCREW
PROVIDED. TORQUE
TO 10 IN-LBS.

FIG. 2

CAULKING



Installation Notes:

1. Disconnect all power before servicing.
2. Open package for back plate (1) and disgaurd multi-hole gasket (Figure 4). This one is not needed.
3. Loosen screws (6) at bottom of bracket (1) to provide open room to install gasket (3).
4. Open BBGEO box and remove the large gasket (3). Apply tallest length vertically to back plate (1) with rivets. Apply smaller gasket (5) to back of BBGEO box (4).
5. Secure BBGEO box to wall or surface (making sure the two grooved areas are pointing upperward) with 1/4" wall anchors and fasteners appropriate for wall construction type (hardware supplied by others). See figure 2. Also refer to instructions shipped with BBGEO box.
6. Pull wires through center hole of BBGEO box or install conduit into box and pull wires into box. See Fig 2.
7. Apply caulking sealant, as required, (supplied by others) around the BBGEO box where it meets the wall (Figure 2).
8. Install fixture and back plate assembly to BBGEO box by angling fixture at top to slip over top lip of BBGEO box. Position back plate and gasket flush against BBGEO box (Figure 3).
9. Secure BBGEO box to back plate bracket with screws (6) provided (See Figure 5).

Shipping Package Conents:

- (1) KIT-LNC2 BKPLT CVR F/BKBOX
- (1) INST-LNC2 BKPLT CVR F/BKBOX
- (2) #8 Screw
- (1) SMALL GASKET
- (1) LARGE GASKET

- (1) BBGEO BOX AND GASKETS (ITEMS 3,4, & 5), ALONG WITH FIXTURE SHIPPED SEPARATELY

Finish: Powder Paint Dark Bronze
Powder Paint Black
Powder Paint Gray
Powder Paint Platinum
Powder Paint White

Weight: 2 lbs