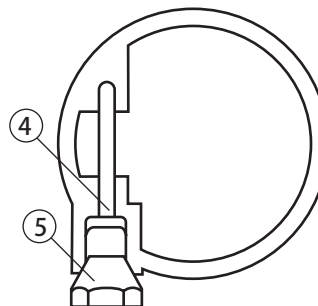
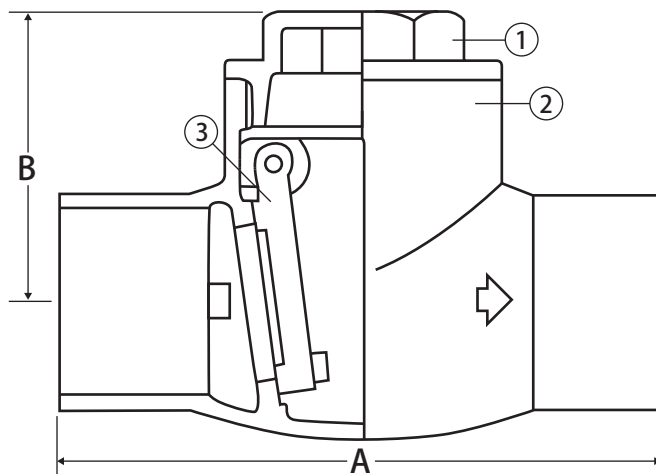


Lead Free Brass Horizontal Check Valve LEAD FREE

Solder Connection • 200 WOG • Class 125



S-501G



Features

- Residential and commercial applications
- Wetted surfaces contain less than .25% lead content

Approvals

- IAPMO Certified
 - NSF 372
- ASME/ANSI B16.18

Pressure Rating

- 200 WOG

Material Specifications

No.	Part	Materials
1	Cap	Lead Free Cast Brass
2	Body	Lead Free Cast Brass
3	Disc	Lead Free Forged Brass
4	Hinge Pin	Lead Free Brass
5	Screw	Lead Free Brass

Dimensions

Part No.	Size	A	B
105-203G	1/2"	2.52	1.54
105-204G	3/4 "	3.11	1.62
105-205G	1"	3.90	1.77
105-206G	1-1/4"	4.37	2.01
105-207G	1-1/2"	4.96	2.25
105-208G	2"	5.99	2.68
105-209G	2-1/2"	6.48	3.53
105-210G	3"	7.52	4.02