

77CLF-A Series

2 Piece Full Port Bronze Ball Valve

LEAD FREE

SUBMITTAL SHEET

"Apollo" Valves



Job Name:	
Job Location:	
Engineer:	
Contractor:	
Tag:	
PO#:	
Rep:	
Wholesale Dist.:	

DESCRIPTION

The Apollo® 77CLF "Contractor Series" Lead Free Ball Valve features a dezincification resistant bronze body, premium RPTFE seats and stem packing and a "Solid Ball" design that delivers true full-port flow performance. Cast and machined in Apollo's South Carolina manufacturing plants using proven EZ-Solder™ Lead Free materials.

FEATURES

- Easily Identifiable White Handle and Blue "Lead Free" Hang Tag
- EZ-Solder™ Lead Free Bronze
- Lead Free Brass & Bronze Materials
- Blowout-Proof Stem Design
- RPTFE Seats & Seals
- **Manufactured and 100% Factory Tested in USA**

PERFORMANCE RATING

- Maximum Pressure: 600 psi CWP, 150 psi SWP
- Maximum Temperature: 450°F
- Vacuum Service to 29 in. Hg

OPTIONS

- (-01) Standard Lever and Trim
- (-04) 2 1/4" Stem Extension
- (-07) Tee Handle
- (-10) SS Handle and Nut
- (-11) Therma-Seal™ Insulating Tee
- (-27) Locking Handle
- (-94) 2 1/4" Stem Extension and Balancing Stop
- 77CLF140/240 Series - 316 SS Ball and Stem (All sizes including 2-1/2")

STANDARD MATERIALS LIST

GLAND NUT	ASTM B16 Brass
NUT	Zinc Plated Steel
PACKING	RPTFE
SEATS	RPTFE
STEM	C27451 Lead Free Brass
BALL	C27451 Lead Free Brass Cr. Plated
RETAINER	C27451 Lead Free Brass (1/4" to 1") B584-C89836 Lead Free Bronze (1 1/4" - 2 1/2")
BODY	B584-C89836 Lead Free Bronze
HANDLE	Zinc Plated Steel/Vinyl

APPROVALS

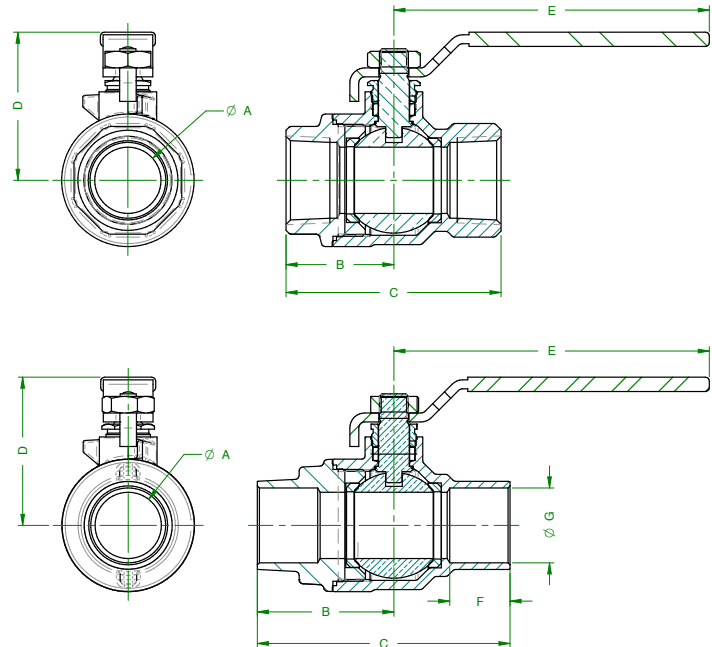
- MSS SP-110 Compliant
- NSF/ANSI 61 Water Quality
- NSF/ANSI 372 Lead Free
- ANSI 3rd Party Approval to 0.25% Lead Max.
- IAPMO R&T / UPC - IGC Z1157
- City of Los Angeles DBS
- CRN: OC10908.5C

DIMENSIONS

Part No.	Size (in.)	Dimensions (in.)							C _v	Wt.* (lbs.)
		A	B	C	D	E	F	G		
NPT										
77CLF-101-01A	1/4"	0.37	0.88	1.8	1.65	2.82	-	-	5	0.6
77CLF-102-01A	3/8"	0.37	0.94	1.86	1.65	2.82	-	-	7	0.5
77CLF-103-01A	1/2"	0.50	1.15	2.29	1.79	3.82	-	-	16	0.96
77CLF-104-01A	3/4"	0.75	1.34	2.67	1.91	3.82	-	-	36	1.34
77CLF-105-01A	1"	1.00	1.63	3.24	2.24	4.72	-	-	68	2.36
77CLF-106-01A	1-1/4"	1.25	1.9	3.75	2.46	4.72	-	-	125	5.07
77CLF-107-01A	1-1/2"	1.50	2.06	4.11	2.9	5.37	-	-	177	4.96
77CLF-108-01A	2"	2.00	2.43	4.85	3.68	7.72	-	-	389	10.06
77CLF-109-01A	2-1/2"	2.50	3.03	6.02	4.13	7.72	-	-	503	16.2
SOLDER										
77CLF-202-01A	3/8"	0.37	1.25	1.65	1.65	2.82	0.41	0.50	7	0.6
77CLF-203-01A	1/2"	0.50	1.36	1.79	1.79	3.82	0.50	0.63	16	0.6
77CLF-204-01A	3/4"	0.75	1.73	2	1.91	3.82	0.75	0.88	36	1.0
77CLF-205-01A	1"	1.00	2.06	2.19	2.24	4.72	0.91	1.13	68	1.6
77CLF-206-01A	1-1/4"	1.25	2.22	3.13	2.46	4.72	0.97	1.38	125	3.9
77CLF-207-01A	1-1/2"	1.50	2.53	3.29	2.9	5.37	1.09	1.63	177	4.3
77CLF-208-01A	2"	2.00	3.15	3.83	3.68	7.72	1.37	2.13	389	7.6
77CLF-209-01A	2-1/2"	2.50	3.78	4.51	4.13	7.72	1.48	2.63	503	15.9

*Weights based on Standard Configuration

*LEAD FREE: The wetted surfaces of this product shall contain no more than 0.25% lead by weighted average. Complies with Federal Public Law 111-380. ANSI 3rd party approved and listed.



Customer Service (704) 841-6000
www.apollovalves.com

This specification is provided for reference only. Conbraco Industries Inc. reserves the right to change any portion of this specification without notice and without incurring obligation to make such changes to Conbraco products previously or subsequently sold. Please visit apollovalves.com for the most current information.

