

PRODUCT SPECIFICATIONS

Elkay Quartz Classic 16-5/8" x 16-5/8" x 8", Single Bowl Dual Mount Bar Sink. Sink is molded with up to 80% natural quartz and high performance acrylic resins that are non-porous providing superior heat, scratch, fade and stain resistance. Naturally sound deadening and Rear Center drain placement.

Installation Type:	Top Mount, Undermount
Material:	Quartz
Finish:	Bisque (BQ), Black (BK), Dusk Gray (GY), Mocha (MC), White (WH)
Number of Bowls:	1
Sink Dimensions:	16-5/8" x 16-5/8" x 8"
Bowl 1 Dimensions:	14" x 14" x 8"
Drain Size:	3-1/2" (89mm)
Drain Location:	Rear Center
Minimum Cabinet Size:	21"
Mounting Hardware:	Part # 0000000221 included for top mount installation for countertops up to 1-3/4" (44mm) thick. Part # 54300404 included for undermount installation.
Template Included:	Yes
Cutout Template #:	0000001435 0000001436

Template is available for download at elkay.com

Cutout Dimensions for Top Mount Installation:

16" x 16" (406mm x 406mm) with 1/2" (13mm) corner radius



AMERICAN PRIDE. A LIFETIME TRADITION. Like your family, the Elkay family has values and traditions that endure. For almost a century, Elkay has been a family-owned and operated company, providing thousands of jobs that support our families and communities.

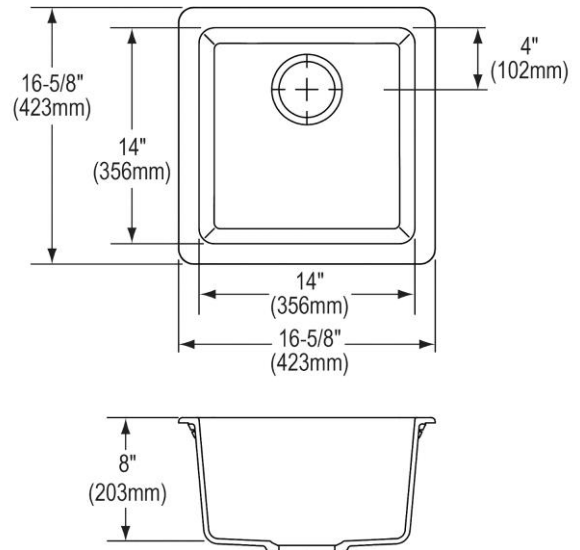


Sinks are listed by IAPMO® as meeting the applicable requirements of the Uniform Plumbing Code®, International Plumbing Code®, and National Plumbing Code of Canada.

Product Compliance: CSA B45.5/IAPMO Z124

[Clean and Care Manual \(PDF\)](#)

[Installation Instructions \(PDF\)](#)



PART: _____ QTY: _____

PROJECT: _____

CONTACT: _____

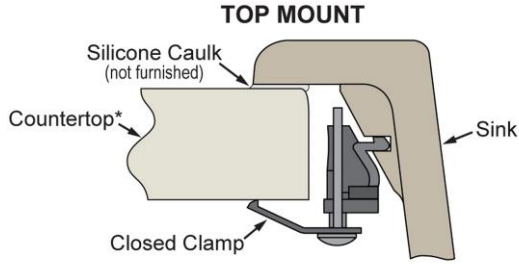
DATE: _____

NOTES: _____

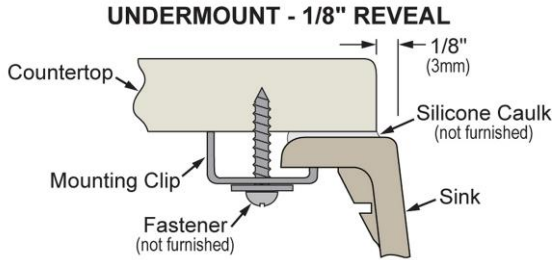
APPROVAL: _____

In keeping with our policy of continuing product improvement, Elkay reserves the right to change product specifications without notice. Please visit elkay.com for the most current version of Elkay product specification sheets. This specification describes an Elkay product with design, quality, and functional benefits to the user. When making a comparison of other producers' offerings, be certain these features are not overlooked.

Installation Profile:



*Maximum thickness for use of hold down system is 1-3/4" (44mm).



Designed to affix to the underside of any solid surface countertop.

OPTIONAL ACCESSORIES

Drain:	LKD35, LKS35, LK99
Faucet:	LKGT1042, LKGT2042
Rinsing Basket:	LKWRB1209SS
Soap Dispenser:	LKGT1054

In keeping with our policy of continuing product improvement, Elkay reserves the right to change product specifications without notice. Please visit elkay.com for the most current version of Elkay product specification sheets. This specification describes an Elkay product with design, quality, and functional benefits to the user. When making a comparison of other producers' offerings, be certain these features are not overlooked.