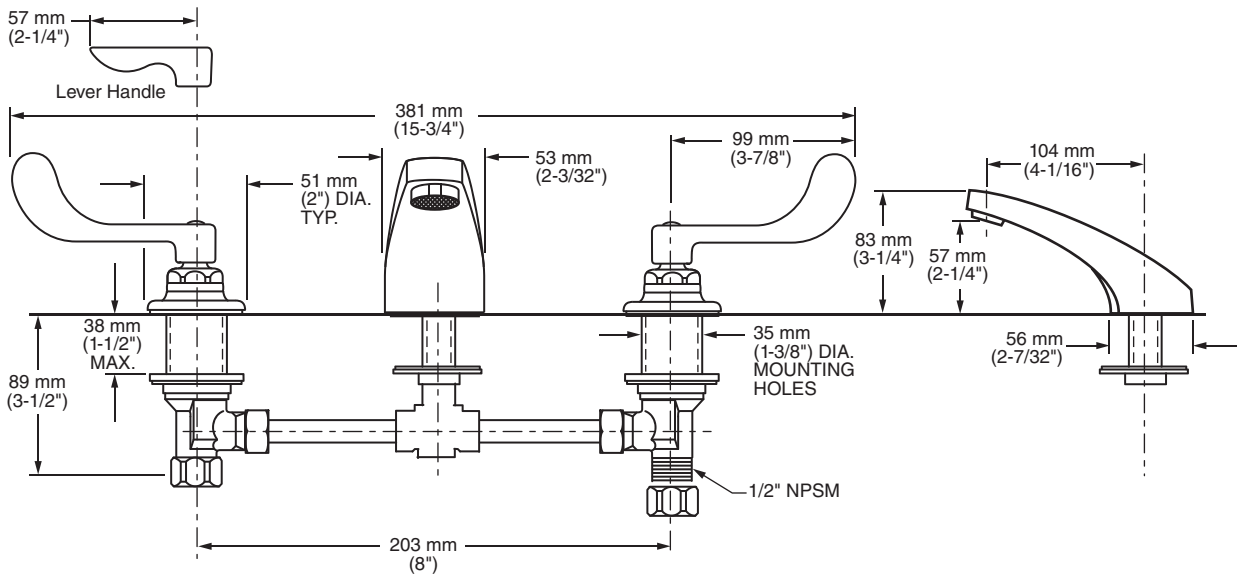




6500.170 Shown

MODEL NUMBER:

- 6500.170 Widespread Lavatory**
1.5 gpm Pressure Compensating Aerator. Vandal-Resistant Wrist Blade handles. Less drain and pop-up hole.
- 6502.170 Widespread Lavatory**
1.5 gpm Pressure Compensating Aerator. Vandal-Resistant Wrist Blade handles. Grid strainer drain.
- 6500.140 Widespread Lavatory**
1.5 gpm Pressure Compensating Aerator. Vandal-Resistant Lever handles. Less drain and pop-up hole.
- 6502.140 Widespread Lavatory**
1.5 gpm Pressure Compensating Aerator. Vandal-Resistant Lever handles. Grid strainer drain.



GENERAL DESCRIPTION:

Durable cast brass construction throughout. Cast brass valve bodies with 8" rigid copper connection with compression fittings. 1/2" male threaded inlet shanks with brass coupling nuts. 1/4 turn ceramic disc valve cartridges. Choice of Vandal-Resistant Wrist Blade or Lever handles with blue & red color indexes. All brass drain body with 1-1/4" (32mm) tailpiece (on applicable models). 1.5 gpm/5.7L/min. maximum flow rate.

PRODUCT FEATURES:

- Pressure Compensating Aerator:** Provides a constant water flow of 1.5 gpm throughout the pressure range
- Solid Brass Construction:** Durable - Excellent in high use applications. Ideal for prolonged contact with water.
- Ceramic Disc Valve Cartridges:** Assures a lifetime of drip-free performance.
- Lead Free:** Faucet contains $\leq 0.25\%$ total lead content by weighted average.

SUGGESTED SPECIFICATION:

Two handle widespread lavatory faucet shall feature cast brass valve bodies with 8" rigid copper connection. Shall feature water-conserving 1.5 gpm/5.7L/min. pressure compensating aerator. Vandal-Resistant handles. Shall also feature 1/4 turn washerless ceramic disc valve cartridges. Fitting shall be American Standard Model # 650____.002.

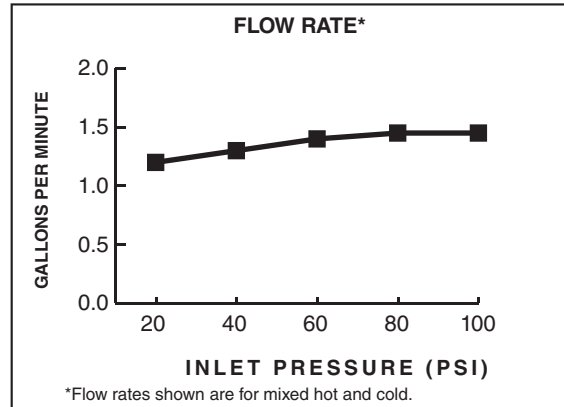


MONTERREY® TWO-HANDLE 8" WIDESPREAD LAVATORY FAUCET WITH CONVENTIONAL SPOUT

CODES AND STANDARDS

These products meet or exceed the following codes and standards:

- ASME A112.18.1
- CSA B 125
- NSF 372



Product Number	Description	Finish
		Polished Chrome
		002
6500.170	Widespread Lavatory. 1.5 gpm/5.7L/min pressure compensating aerator. Vandal-Resistant Wrist Blade Handles. Less drain and pop-up hole.	
6502.170	Widespread Lavatory. 1.5 gpm/5.7L/min pressure compensating aerator. Vandal-Resistant Wrist Blade Handles. Grid strainer drain.	
6500.140	Widespread Lavatory. 1.5 gpm/5.7L/min pressure compensating aerator. Vandal-Resistant Lever Handles. Less drain and pop-up hole.	
6502.140	Widespread Lavatory. 1.5 gpm/5.7L/min pressure compensating aerator. Vandal-Resistant Lever Handles. Grid strainer drain.	

MEETS THE AMERICANS WITH DISABILITIES ACT GUIDELINES AND ANSI A117.1 REQUIREMENTS FOR ACCESSIBLE AND USABLE BUILDING FACILITIES-CHECK LOCAL CODES

Other Aerators Available:

Part Suffix	Description
LV15	1.5 gpm (5.7 Lpm) PCA Vandal-Resistant Non-Aerated Laminar Flow Outlet
V15	1.5 gpm (5.7 Lpm) PCA Vandal-Resistant Aerator
LV10	1.0 gpm (3.8 Lpm) PCA Vandal-Resistant Non-Aerated Laminar Flow Outlet
V10	1.0 gpm (3.8 Lpm) PCA Vandal-Resistant Aerator
V05**	0.5 gpm (1.9 Lpm) PCA Vandal-Resistant Multi-Laminar Spray
V035**	0.35 gpm (1.3 Lpm) PCA Vandal-Resistant Multi-Laminar Spray

*PCA - Pressure Compensating

**Meets Cal Green Code