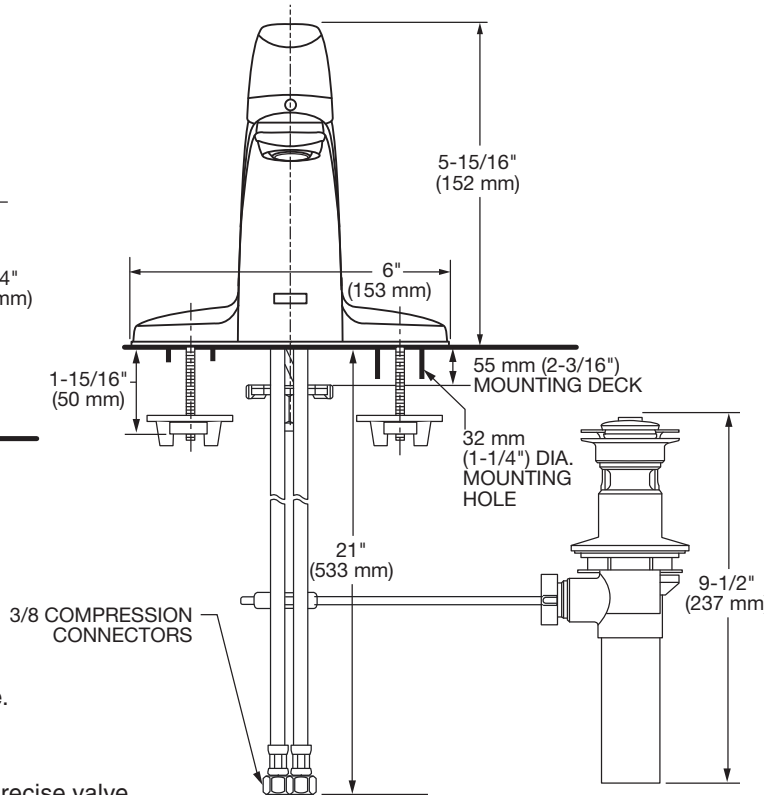
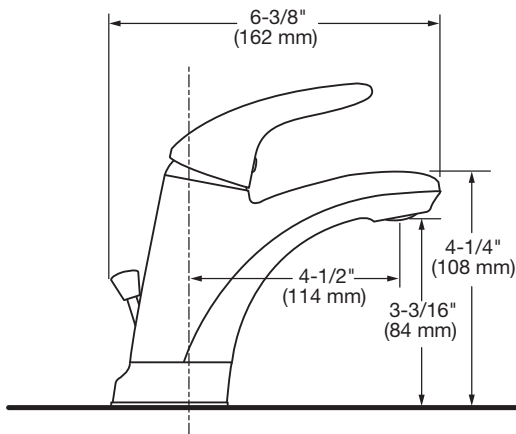


7075.000 Shown

**MODEL NUMBER:**

- 7075.000 Single Control Centerset**  
Metal lever handle. Metal pop-up drain.
- 7075.002 Single Control Centerset**  
Metal lever handle. 50/50 pop-up drain.
- 7075.004 Single Control Centerset**  
Metal lever handle. Less drain, less pop-up hole & rod.
- 7075.005 Single Control Centerset**  
Metal lever handle. Less drain. With pop-up hole & rod.
- 7075.006 Single Control Centerset**  
Metal lever handle. Grid drain. Less pop-up rod and hole.



**GENERAL DESCRIPTION:**

Metal body with metal lever handle. Washerless 35 mm ceramic disc valve cartridge with integral hot limit safety stop. 24" Color-coded braided flexible supply hoses with 3/8" compression connections. 1.2 gpm/4.5 L/min. maximum flow rate.

**PRODUCT FEATURES:**

**Ceramic Disc Valve Cartridge:** Assures smooth, precise valve control and a lifetime of drip-free, maintenance-free performance.

**Adjustable Hot Limit Safety Stop:** Limits the amount of hot water allowed to mix with cold. Reduces the risk of accidental scalding.

**Lead Free:** Faucet contains ≤ 0.25% total lead content by weighted average.

**Simple One-Person Installation:** Faucet drops in from top. Quick spin nuts secure faucet in place.

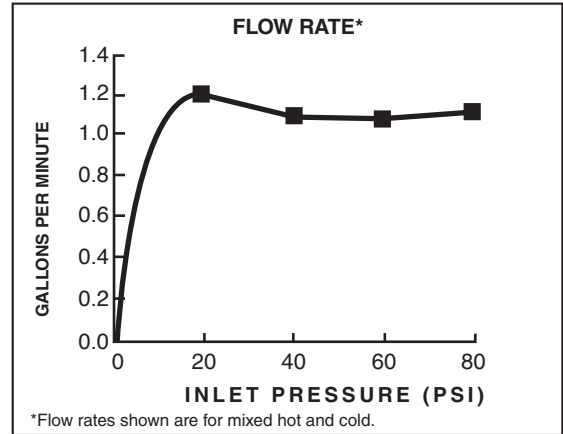
**SUGGESTED SPECIFICATION**

Single control lavatory fitting shall feature a metal body with metal lever handle. Shall feature flexible hose connections. Shall also feature a washerless ceramic disc valve cartridge with integral hot limit safety stop. Fitting shall be American Standard Model # 7075. ....

**CODES AND STANDARDS**

These products meet or exceed the following codes and standards:

- ANSI A117.1**
- ASME A112.18.1**
- CSA B125.1**
- NSF 61/Section 9**
- NSF 372**



Product Number	Description		Finish Options		
			Polished Chrome	Legacy Bronze	PVD Satin Nickel
			002	278	295
7075.000	Colony PRO Single Control Centerset. Metal lever handle. Metal pop-up drain.				
7075.002	Colony PRO Single Control Centerset. Metal lever handle. 50/50 pop-up drain.				
7075.004	Colony PRO Single Control Centerset. Metal lever handle. LESS drain, less pop-up hole & rod.				
7075.005	Colony PRO Single Control Centerset. Less drain. Metal lever handle. With pop-up hole & rod.				
7075.006	Colony PRO Single Control Centerset. Metal lever handle. Grid drain. Less pop-up rod and hole.				

Meets the American Disabilities Act Guidelines and **ANSI A117.1** Requirements for the physically challenged.