



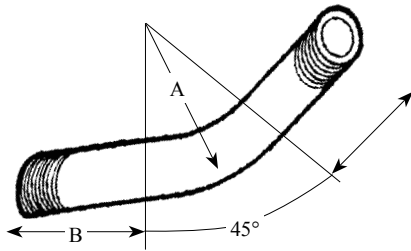
Friendly Service ... Powerful Solutions

Topaz Specification Sheet

Description: Rigid 45° Elbows

Standard Material: Galvanized Steel

Features: 1/2"-4" Rigid Elbows meet UL 6 and ANSI C80.1
Federal Specification WW-C-563



E223147

TOPAZ CAT #	A	B
11	4.000	2.875
12	4.500	2.875
13	5.750	3.00
14	7.250	3.25
15	8.250	3.625
16	9.500	4.1875
17	10.500	5.25
18	13.000	5.8125
19	15.000	6.75
20	16.000	6.9375

A=MIN. UL RADIUS
B=STRAIGHT LEG EACH END

TOPAZ CAT #	UPC#	SIZE	UNIT CTN	SHIP CASE	WT/ CASE
11	33300	1/2"	-	50	26
12	33310	3/4"	-	50	38
13	33320	1"	-	35	45
14	33330	1 1/4"	-	30	60
15	33340	1 1/2"	-	15	45
16	33350	2"	-	15	68
17	33360	2 1/2"	-	1	8
18	33370	3"	-	1	13
19	33380	3 1/2"	-	1	16
20	33390	4"	-	1	22

Approved by Quality Control: John Cavalieri



NEW YORK
925 Waverly Avenue
Holtsville, NY 11742
800-666-2852
Fax: 800-333-3488

CALIFORNIA
225 Parkside Drive
San Fernando, CA 91340
888-551-2852
Fax: 888-690-2852

FLORIDA
2020 West 26th Street
Jacksonville, FL 32209
800-666-2852
Fax: 800-333-3488



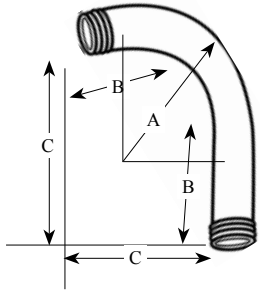
Friendly Service ... Powerful Solutions

Topaz Specification Sheet

Description: Rigid 90° Elbows

Standard Material: Galvanized Steel

Features: 1/2"-4" Rigid Elbows meet UL 6 and ANSI C80.1
Federal Specification WW-C-563



TOPAZ CAT #	A	B	C
61	4.000	2.875	6.343
62	4.500	2.875	6.781
63	5.750	3.000	8.901
64	7.250	3.250	10.250
65	8.250	3.625	11.937
66	9.500	4.1875	14.031
67	10.500	5.250	16.000
68	13.000	5.8125	18.947
69	15.000	6.750	22.218
70	16.000	6.9375	23.437
70A	24.000	11.125	36.156
70B	30.000	12.4375	41.460

A=MIN. UL RADIUS
B=STRAIGHT
C=OFFSET

TOPAZ CAT #	UPC#	SIZE	UNIT CTN	SHIP CASE	WT/ CASE
61	31030	1/2"	—	50	40
62	31040	3/4"	—	50	54
63	31050	1"	—	20	40
64	31060	1 1/4"	—	20	60
65	31070	1 1/2"	—	10	42
66	31080	2"	—	10	68
67	31090	2 1/2"	—	1	13
68	31100	3"	—	1	18
69	31110	3 1/2"	—	1	26
70	31120	4"	—	1	33
70A	31127	5"	—	1	45
70B	31128	6"	—	1	48

Approved by Quality Control: John Cavalieri



NEW YORK
925 Waverly Avenue
Holtsville, NY 11742
800-666-2852
Fax: 800-333-3488

CALIFORNIA
225 Parkside Drive
San Fernando, CA 91340
888-551-2852
Fax: 888-690-2852

FLORIDA
2020 West 26th Street
Jacksonville, FL 32209
800-666-2852
Fax: 800-333-3488



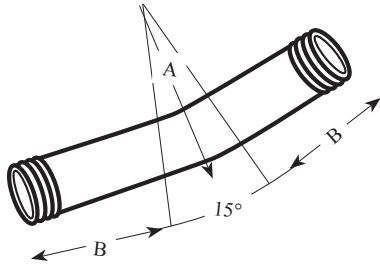
Friendly Service ... Powerful Solutions

Topaz Specification Sheet

Description: Rigid 15° Elbow

Standard Material: Galvanized Steel

Features: 1 ¼ -4" Rigid Elbows meet UL 6 and ANSI C80.1
Federal Specification WW-C-563



E223147

TOPAZ CAT #	A	B
6415	7.25	2.781
6515	8.25	2.781
6615	9.5	2.781
6715	10.5	3
6815	13	3.125
6915	15	3.281
7015	16	3.375

A=MIN. UL RADIUS
B=STRAIGHT LEG EACH END

TOPAZ CAT #	UPC#	SIZE	UNIT CTN	SHIP CASE	WT/ CASE
6415	83917	1 1/4"	-	20	32
6515	83918	1 1/2"	-	15	34
6615	83919	2"	-	10	33
6715	83920	2 1/2"	-	1	7
6815	83921	3"	-	1	10
6915	83922	3 1/2"	-	1	13
7015	83923	4"	-	1	17

Approved by Quality Control: John Cavalieri



NEW YORK
925 Waverly Avenue
Holtsville, NY 11742
800-666-2852
Fax: 800-333-3488

CALIFORNIA
225 Parkside Drive
San Fernando, CA 91340
888-551-2852
Fax: 888-690-2852

FLORIDA
2020 West 26th Street
Jacksonville, FL 32209
800-666-2852
Fax: 800-333-3488



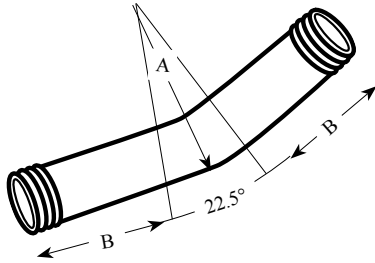
Friendly Service... Powerful Solutions

Topaz Specification Sheet

Description: Rigid 22-1/2° Elbow

Standard Material: Galvanized Steel

Features: 1/2 -4" Rigid Elbows meet UL 6 and ANSI C80.1
Federal Specification WW-C-563



TOPAZ CAT #	A	B
6422	7.25	2.781
6522	8.25	2.781
6622	9.5	2.781
6722	10.5	3
6822	13	3.125
6922	15	3.281
7022	16	3.375

A=MIN. UL RADIUS
B=STRAIGHT LEG EACH END

TOPAZ CAT #	UPC#	SIZE	UNIT CTN	SHIP CASE	WT/ CASE
6422	83910	1 1/4"	-	20	34
6522	83911	1 1/2"	-	15	36
6622	83912	2"	-	10	38
6722	83913	2 1/2"	-	1	8
6822	83914	3"	-	1	11
6922	83915	3 1/2"	-	1	14
7022	83916	4"	-	1	18

Approved by Topaz Quality Control & Engineering



NEW YORK
925 Waverly Avenue
Holtsville, NY 11742
800-666-2852
Fax: 800-333-3488

CALIFORNIA
225 Parkside Drive
San Fernando, CA 91340
888-551-2852
Fax: 888-690-2852

FLORIDA
2020 West 26th Street
Jacksonville, FL 32209
800-666-2852
Fax: 800-333-3488



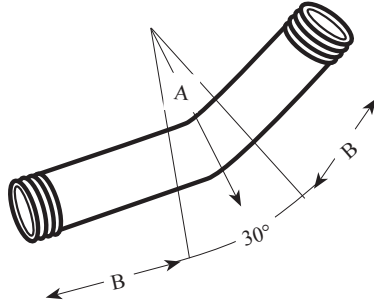
Friendly Service ... Powerful Solutions

Topaz Specification Sheet

Description: Rigid 30° Elbow

Standard Material: Galvanized Steel

Features: 1 ¼ -4" Rigid Elbows meet UL 6 and ANSI C80.1
Federal Specification WW-C-563



E223147

TOPAZ CAT #	A	B
6430	7.25	2.781
6530	8.25	2.781
6630	9.5	2.781
6730	10.5	3
6830	13	3.125
6930	15	3.281
7030	16	3.375

A=MIN. UL RADIUS
B=STRAIGHT LEG EACH END

TOPAZ CAT #	UPC#	SIZE	UNIT CTN	SHIP CASE	WT/ CASE
6430	83924	1 1/4"	—	20	40
6530	83925	1 1/2"	—	15	39
6630	83926	2"	—	10	42
6730	83927	2 1/2"	—	1	8
6830	83928	3"	—	1	12
6930	83929	3 1/2"	—	1	17
7030	83930	4"	—	1	20

Approved by Quality Control: John Cavalieri



NEW YORK
925 Waverly Avenue
Holtsville, NY 11742
800-666-2852
Fax: 800-333-3488

CALIFORNIA
225 Parkside Drive
San Fernando, CA 91340
888-551-2852
Fax: 888-690-2852

FLORIDA
2020 West 26th Street
Jacksonville, FL 32209
800-666-2852
Fax: 800-333-3488

Tubular Products

Rigid Special Radius Elbow

Features

- NPT thread with end cap on each end

Standard Material

- Galvanized steel

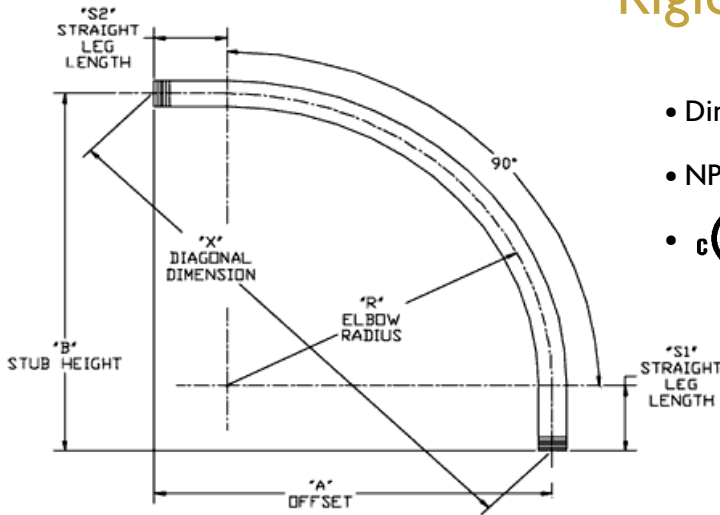



Catalog Number	UPC	Pipe Size	Degrees	Ship Case	Weight/ Case
6624	31082	2	90	1	17
6630SR	86281	2	90	1	20
6636	31084	2	90	1	22
6642	31085	2	90	1	25
6648	31086	2	90	1	29
6724	31092	2-1/2	90	1	26
6730SR	86282	2-1/2	90	1	30
6736	31094	2-1/2	90	1	34
6742	31095	2-1/2	90	1	39
6748	31096	2-1/2	90	1	45
6824	31102	3	90	1	33
6830SR	83928	3	90	1	38
6836	31104	3	90	1	43
6842	31105	3	90	1	54
6848	31106	3	90	1	60
6924	31112	3-1/2	90	1	41
6930SR	86283	3-1/2	90	1	47
6936	31114	3-1/2	90	1	53
6942	31115	3-1/2	90	1	62
6948	31116	3-1/2	90	1	66
7018	86284	4	90	1	40
7024	31122	4	90	1	47
7030SR	86285	4	90	1	54
7036	31124	4	90	1	72
7042	31125	4	90	1	72
7048	31126	4	90	1	81
7060	86286	4	90	1	88

Catalog Number	UPC	Pipe Size	Degrees	Ship Case	Weight/ Case
70A36	31129	5	90	1	83
70A42	86287	5	90	1	98
70A48	86288	5	90	1	108
70A60	86289	5	90	1	122
70B36	82488	6	90	1	120
70B42	86290	6	90	1	135
70B48	86291	6	90	1	145
70B60	86292	6	90	1	165

Tubular Products

Rigid Special Radius Elbow



- Dimensional data is for reference only
- NPT thread with end cap on each end
-  US UL 6

Applicable Specification: UL 6

SIZE	RADIUS	12	15	18	24	30	36	42	48	60
1	LEG LENGTH	8 9/16	9 1/4	9 7/8	10 5/8	10 15/16	10 3/4	12	13 5/16	
	UNBENT LENGTH	36	42	48	59	69	78	90	102	
	DIAGONAL	29 1/8	34 1/4	39 7/16	49	57 7/8	66 1/16	76 3/8	86 11/16	
	'A' OFFSET	20 9/16	24 1/4	27 7/8	34 5/8	40 15/16	46 3/4	54	61 5/16	
	'B' STUB HEIGHT	20 9/16	24 1/4	27 7/8	34 5/8	40 15/16	46 3/4	54	61 5/16	
1 1/4	LEG LENGTH	8 9/16	9 1/4	9 7/8	10 5/8	10 15/16	10 3/4	12	13 5/16	
	UNBENT LENGTH	36	42	48	59	69	78	90	102	
	DIAGONAL	29 1/8	34 1/4	39 7/16	49	57 7/8	66 1/16	76 3/8	86 11/16	
	'A' OFFSET	20 9/16	24 1/4	27 7/8	34 5/8	40 15/16	46 3/4	54	61 5/16	
	'B' STUB HEIGHT	20 9/16	24 1/4	27 7/8	34 5/8	40 15/16	46 3/4	54	61 5/16	
1 1/2	LEG LENGTH	8 9/16	9 1/4	9 7/8	10 5/8	10 15/16	10 3/4	12	13 5/16	
	UNBENT LENGTH	36	42	48	59	69	78	90	102	
	DIAGONAL	29 1/8	34 1/4	39 7/16	49	57 7/8	66 1/16	76 3/8	86 11/16	
	'A' OFFSET	20 9/16	24 1/4	27 7/8	34 5/8	40 15/16	46 3/4	54	61 5/16	
	'B' STUB HEIGHT	20 9/16	24 1/4	27 7/8	34 5/8	40 15/16	46 3/4	54	61 5/16	
2	LEG LENGTH	8 9/16	9 1/4	9 7/8	10 5/8	10 15/16	10 3/4	12	13 5/16	
	UNBENT LENGTH	36	42	48	59	69	78	90	102	
	DIAGONAL	29 1/8	34 1/4	39 7/16	49	57 7/8	66 1/16	76 3/8	86 11/16	
	'A' OFFSET	20 9/16	24 1/4	27 7/8	34 5/8	40 15/16	46 3/4	54	61 5/16	
	'B' STUB HEIGHT	20 9/16	24 1/4	27 7/8	34 5/8	40 15/16	46 3/4	54	61 5/16	
2 1/2	LEG LENGTH	8 9/16	9 1/4	9 7/8	10 5/8	10 15/16	10 3/4	12	13 5/16	
	UNBENT LENGTH	36	42	48	59	69	78	90	102	
	DIAGONAL	29 1/8	34 1/4	39 7/16	49	57 7/8	66 1/16	76 3/8	86 11/16	
	'A' OFFSET	20 9/16	24 1/4	27 7/8	34 5/8	40 15/16	46 3/4	54	61 5/16	
	'B' STUB HEIGHT	20 9/16	24 1/4	27 7/8	34 5/8	40 15/16	46 3/4	54	61 5/16	
3	LEG LENGTH		9 1/4	9 7/8	10 5/8	10 15/16	10 3/4	12	13 5/16	
	UNBENT LENGTH		42	48	59	69	78	90	102	
	DIAGONAL		34 1/4	39 7/16	49	57 7/8	66 1/16	76 3/8	86 11/16	
	'A' OFFSET		24 1/4	27 7/8	34 5/8	40 15/16	46 3/4	54	61 5/16	
	'B' STUB HEIGHT		24 1/4	27 7/8	34 5/8	40 15/16	46 3/4	54	61 5/16	
3 1/2	LEG LENGTH			9 7/8	10 5/8	10 15/16	10 3/4	12	13 5/16	
	UNBENT LENGTH			48	59	69	78	90	102	
	DIAGONAL			39 7/16	49	57 7/8	66 1/16	76 3/8	86 11/16	
	'A' OFFSET			27 7/8	34 5/8	40 15/16	46 3/4	54	61 5/16	
	'B' STUB HEIGHT			27 7/8	34 5/8	40 15/16	46 3/4	54	61 5/16	
4	LEG LENGTH			9 7/8	10 5/8	10 15/16	10 3/4	12	13 5/16	
	UNBENT LENGTH			48	59	69	78	90	102	
	DIAGONAL			39 7/16	49	57 7/8	66 1/16	76 3/8	86 11/16	
	'A' OFFSET			27 7/8	34 5/8	40 15/16	46 3/4	54	61 5/16	
	'B' STUB HEIGHT			27 7/8	34 5/8	40 15/16	46 3/4	54	61 5/16	
5	LEG LENGTH					10 15/16	10 3/4	12	13 5/16	11 7/8
	UNBENT LENGTH					69	78	90	102	118
	DIAGONAL					57 7/8	66 1/16	76 3/8	86 11/16	101 1/2
	'A' OFFSET					40 15/16	46 3/4	54	61 5/16	71 7/8
	'B' STUB HEIGHT					40 15/16	46 3/4	54	61 5/16	71 7/8
6	LEG LENGTH						10 3/4	12	13 5/16	11 7/8
	UNBENT LENGTH						78	90	102	118
	DIAGONAL						66 1/16	76 3/8	86 11/16	101 1/2
	'A' OFFSET						46 3/4	54	61 5/16	71 7/8
	'B' STUB HEIGHT						46 3/4	54	61 5/16	71 7/8