



SlimPak Pro

WSPS40LED 40 Watt LED SlimPak



SPECIFICATIONS:

Lumens: 4047
Watts: 38.28
Lumens/Watt: 105.7
CRI: 75.2
CCT: 4576
Lifespan: 200,000+ hrs.¹



Construction:

Designed for commercial and industrial applications, providing cooler operating temperatures, brighter light and longer LED life. Apertures for field or factory installed photocontrol. Hinged at bottom to prevent leakage.

Installation:

Labor saving features including bubble level and removable hinged face frame.

Zero Glare:

The fixture design directs more light down and forward without wasting lumens and offensive light.

Thermal Management:

Atlas SlimPak Pro fixtures are designed as a complete system to optimize LED life and light output. The Patent Pending thermal stacking heat removal technology extracts heat from within the housing moving it away from LEDs and components. The lower temperatures result in long LED life (200,000+ hrs) and component life and also allows for higher light output.

Listings:

Luminaire is certified to cUL and CSA Standards for Wet Locations
 Lighting Facts Certified
 DesignLights Consortium Premium qualified luminaire, eligible for rebates from DLC member utilities. DLC Product ID: P894U7BK

AC Input:

120/208/240/277 V

Driver:

Constant current, Class 2, 120-277 VAC, 50-60 Hz
 High Efficiency – min. 85%
 Off-State Power: 0 Watts
 0-10 V Dimming

LEDs:

4500K CCT

Testing:

Atlas LED luminaires have been tested by an independent laboratory in accordance with IESNA LM-79 & LM-80, and have received the Department of Energy "Lighting Facts" label.

Warranty: Five-year limited warranty

Photo Control:

For factory installed 120V button photo control add suffix PC to part number. Atlas uses only premium LED compatible photocontrols.

Project Information

Job Name

Fixture Type 40 Watt LED Die Cast SlimPak

Catalog Number WSPS40LED

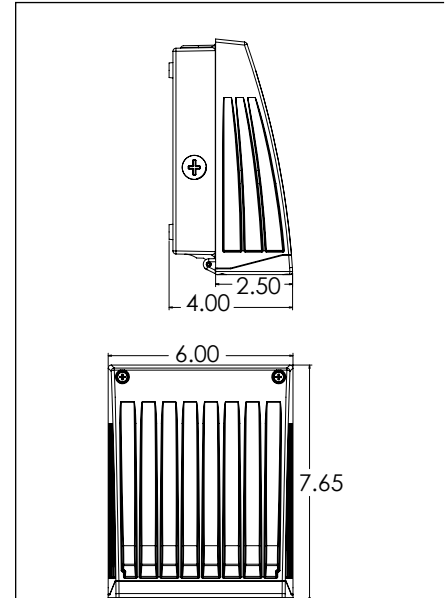
Approved by

Alpha Series LED
 PROFESSIONAL GRADE



Patent Pending

DIMENSIONS:



¹LED Life Span Based Upon LM-80 Test Results

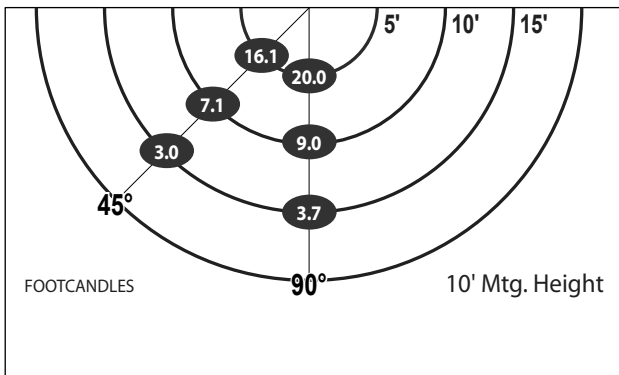
**Rebates and Incentives are available in many areas.
 Contact an Atlas Representative for more information.**

ATLAS LIGHTING PRODUCTS, INC.

PO BOX 2348 | BURLINGTON, NC 27216
 800-849-8485 | FAX: 336-227-0110 | www.atlasled.com

*The majority of Atlas Lighting Products are assembled in USA facilities by an American Workforce utilizing both Domestic and Foreign components. Meets Buy American requirements within the ARRA.

PHOTOMETRIC



lighting facts[®]

A Program of the U.S. DOE

Atlas Lighting Products, Inc.

| | |
|-----------------------------------|---------------|
| Light Output (Lumens) | 4047 |
| Watts | 38.28 |
| Lumens per Watt (Efficacy) | 105.72 |

| | |
|-----------------------------|-----------|
| Color Accuracy | 75 |
| Color Rendering Index (CRI) | |

Light Color
Correlated Color Temperature (CCT)

4576 (Daylight)

2700K
3000K
4500K
6500K

All results are according to IESNA LM-79-2008: *Approved Method for the Electrical and Photometric Testing of Solid-State Lighting*. The U.S. Department of Energy (DOE) verifies product test data and results.

Visit www.lightingfacts.com for the *Label Reference Guide*.

Registration Number: PRB4-O8H5HB (7/28/2016)
Model Number: WSPS40LED
Type: Luminaire - Area/Roadway