



Canopy Light

CPM40LED 40 Watt LED Low Profile Canopy Light



SPECIFICATIONS:

Lumens: 5401
Watts: 40.55
Lumens/Watt: 133.2
CRI: 82.7
CCT: 4393K
Lifespan: 200,000+ hrs.¹

Construction:

Designed for commercial and industrial applications, providing cooler operating temperatures, brighter light and longer LED life. Apertures for continuous wiring. Housing is hinged for quick and easy mounting and entrance.

Zero Glare:

Using the latest high brightness, high LED count technology, more usable light output is produced while eliminating glare. The high transmission lens, with 91% efficiency, is high impact, scratch resistant and protects the LEDs. At the same time, it delivers improved visual comfort by eliminating any glare and providing a wider smoother and more uniform light output.

Thermal Management:

The Atlas Low Profile Canopy Light is designed as a complete system to optimize LED life and light output. The Patent Pending thermal stacking heat removal technology extracts heat from within the housing moving it away from LEDs and components. The lower temperatures result in long LED life (200,000+ hrs) and component life and also allows for higher light output.

Listings:

Luminaire is certified to UL/cUL Standards for Damp Locations
 Lighting Facts Certified
 DesignLights Consortium Premium qualified luminaire, eligible for rebates from DLC member utilities. DLC Product ID: P833K40V

AC Input:

120/208/240/277 V

Driver:

Constant current, Class 2 120-277 VAC, 47-63Hz
 High Efficiency – min. 85%
 Off-State Power: 0 Watts
 Dimming 0-10V

LEDs:

4500K CCT

Epoxy Guard™ protective conformal coated boards

Atlas LEDs provide higher lumen output, greater energy efficiency and more reliable fixture performance. They are tested and binned at 700mA which is the actual operating current used in Atlas LED luminaires, giving a better representation of actual performance.

Temperatures:

Min Start: -35°C Max: 50°C

Warranty:

Five-year limited warranty

Testing:

Atlas LED luminaires have been tested by an independent laboratory in accordance with IESNA LM-79 & LM-80, and have received the Department of Energy "Lighting Facts" label.

Weight:

10.0 lbs.

¹LED Life Span Based Upon LM-80 Test Results

Project Information

Job Name

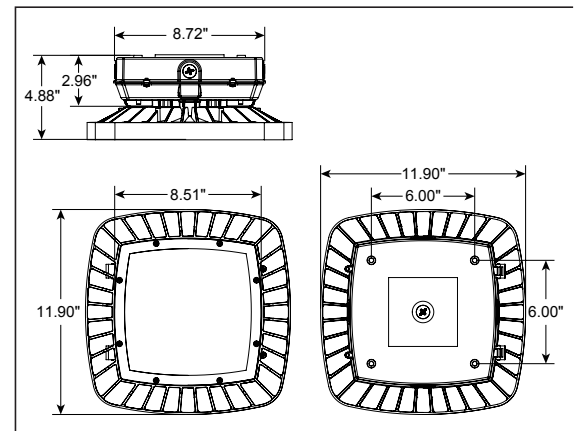
Fixture Type 40 Watt LED Low Profile Canopy Light

Catalog Number CPM40LED

Approved by



DIMENSIONS:



**Rebates and Incentives are available in many areas.
 Contact an Atlas Representative for more information.**

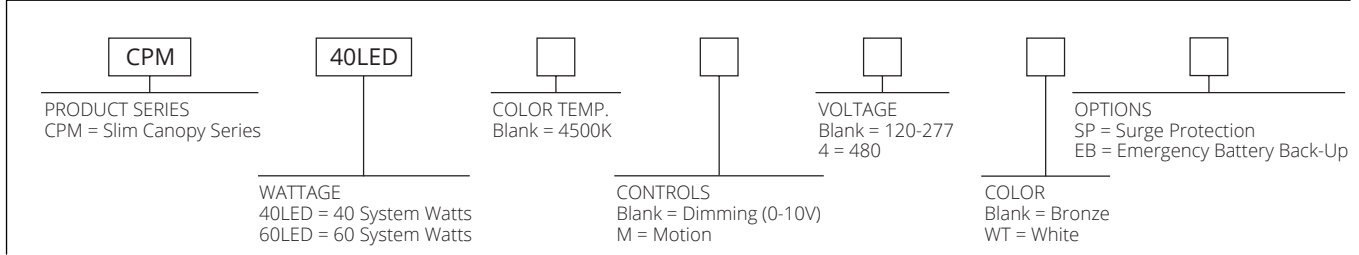
ATLAS LIGHTING PRODUCTS, INC.

PO BOX 2348 | BURLINGTON, NC 27216

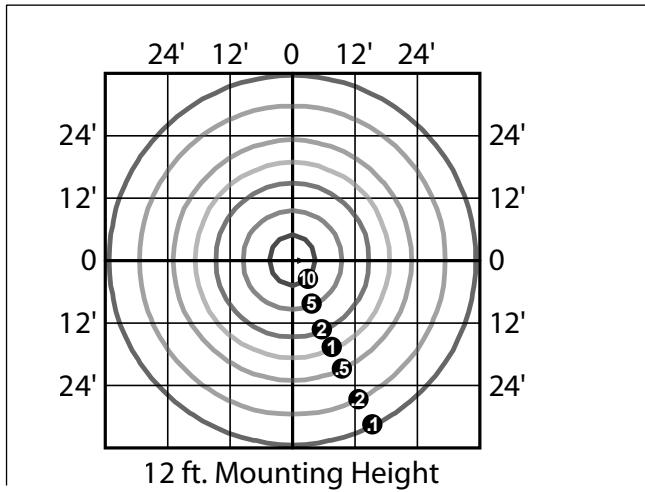
800-849-8485 | FAX: 336-227-0110 | www.atlaslightingproducts.com

*The majority of Atlas Lighting Products are assembled in USA facilities by an American Workforce utilizing both Domestic and Foreign components. Meets Buy American requirements within the ARRA.

ORDERING FORMAT



PHOTOMETRIC



ENERGY SAVINGS

LED		HID			ANNUAL SAVINGS
WATTAGE	ANNUAL COST	SOURCE WATTAGE	TOTAL WATTAGE USED	ANNUAL COST	
40	\$18	100	129	\$77	\$59
40	\$18	175	210	\$112	\$94

Atlas Lighting Products, Inc.

lighting facts®

A Program of the U.S. DOE

Light Output (Lumens)	5401
Watts	40.55
Lumens per Watt (Efficacy)	133.19

Color Accuracy Color Rendering Index (CRI)	82
--	-----------

Light Color Correlated Color Temperature (CCT)	4393 (Bright White)
--	----------------------------

Warm White	Bright White	Daylight	
2700K	3000K	4500K	6500K

All results are according to IESNA LM-79-2008: *Approved Method for the Electrical and Photometric Testing of Solid-State Lighting*. The U.S. Department of Energy (DOE) verifies product test data and results.

Visit www.lightingfacts.com for the *Label Reference Guide*.

Registration Number: PRB4-OM7Y51 (7/28/2017)
Model Number: CPM40LED
Type: Luminaire - Canopy

MOUNTING DETAIL

