



CATALOG NUMBER: MH70-0257MED	
JOB NAME:	
CUSTOMER NAME:	
NOTES:	TYPE:
	DATE:

FEATURES AND SPECIFICATIONS

HID KITS
METAL HALIDE BALLAST KIT WITH LAMP
FOR 70W METAL HALIDE

Wattages:
 Metal Halide: 70w

Construction:
 Attractive Display Carton
 Easy Access Packaging
 No Staples / No Tape

Mounting
 Factory Drilled for Mounting

Specifications:
 Mounting Holes: .218" Dia. (0.55 cm)
 Weight: 4.6 lbs. (2.10 kg)

Warranty:
 Atlas Lighting Products provides a 3 year limited warranty for this product.
 A full warranty can be found at www.alpinc.com.

**EISA REQUIREMENTS
 ARE NOT APPLICABLE TO
 REPLACEMENTS KITS**



INPUT VOLTS	120	208	240	277
CIRCUIT TYPE	HX-HPF			
POWER FACTOR (min)	90%			
REGULATION				
Line Volts	±10%			
Lamp Watts	±10%			
LINE CURRENT (Amps)				
Operating.....	1.5	1.1	.5	.4
UL TEMPERATURE RATINGS				
Insulation Class	H(180°C)			
Coil Temperature Code	1029	A	A	A
MIN. AMBIENT STARTING TEMP.	-20°F or -30°C			
NOM. OPEN CIRCUIT VOLTAGE	260			
INPUT WATTS	91			
RECOMMENDED FUSE (Amps).....	4	3	3	2
WEIGHT (lbs.)	4.6			
60 Hz TEST PROCEDURES				
High Potential Test (Volts)				
1 minute	2000			
2 seconds	2500			
Open Circuit Voltage Test (Volts)	230-290			

ORDERING INFORMATION

Catalog #	Description	Volts
MH70-0257MED	MH Ballast Kit	Quad

LAMP INFORMATION

MH70/U/M

Watts	70
Finish	Clear
Bulb	ED17
Base	E26
ANSI Code	M98/E

BALLAST TYPE

HX-HPF

Actual performance can vary depending on operating conditions. Specifications are subject to change without notice.

ATLAS LIGHTING PRODUCTS, INC.

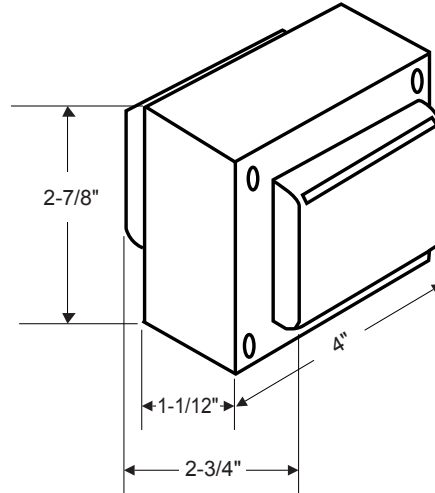
PO BOX 2348 | BURLINGTON, NC 27216
 800-849-8485 | FAX: 336-227-0110 | www.atlaslightingproducts.com

DIMENSIONS

Specifications:

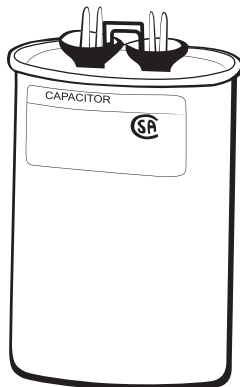
Mounting Holes:
 0.218" Dia. (0.55 cm)

Weight:
 4.6 lbs. / 2.10 kg.



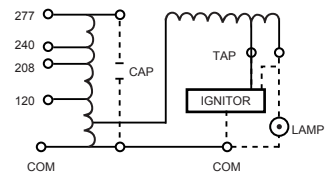
CAPACITOR INFORMATION

Capacitance: 70 Watt
Dia/Oval Dim: 2.12"
Height: 3.5"
Temp Rating: 90°C
MicroFarad (MFD): 8, 330V



40-007-1

WIRING DIAGRAM



Actual performance can vary depending on operating conditions. Specifications are subject to change without notice.

ATLAS LIGHTING PRODUCTS, INC.

PO BOX 2348 | BURLINGTON, NC 27216

800-849-8485 | FAX: 336-227-0110 | www.atlaslightingproducts.com