



# Power Flood Pro

Project Information	
Job Name	
Fixture Type	162 Watt LED Power Flood
Catalog Number	PFXL162LED
Approved by	

## PFXL162LED 162 Watt LED Power Flood



### SPECIFICATIONS:

**Lumens:** 14,870  
**Watts:** 166.7  
**Lumens/Watt:** 89.2  
**CRI:** 72.9  
**CCT:** 4397  
**Lifespan:** 200,000+ hrs.<sup>1</sup>



**Alpha Series LED**  
 PROFESSIONAL GRADE

### Construction:

Designed for commercial and industrial applications, providing cooler operating temperatures, brighter light and longer LED life. Apertures for field or factory installed photocontrol. Available with heavy duty trunion or slipfitter.

### Optics:

Atlas Power Flood Pro fixtures utilize individual lenses for maximum light intensity. These lenses are made of optical grade acrylic. This guarantees more footcandles, less glare and less wasted light.

### Thermal Management:

Atlas Power Flood Pro fixtures are designed as a complete system to optimize LED life and light output. The Patent Pending thermal stacking heat removal technology extracts heat from within the housing moving it away from LEDs and components. The lower temperatures result in long LED life (200,000+ hrs) and component life and also allows for higher light output.

### Listings:

Luminaire is certified to cUL and CSA Standards for Wet Locations Lighting Facts Certified DesignLights Consortium qualified luminaire, eligible for rebates from DLC member utilities. DLC Product ID: PPG1RFBTJ

### AC Input:

120/208/240/277 V

### Driver:

Constant current, Class 2, 120-277 VAC, 50-60 Hz  
 High Efficiency – min. 88%  
 Off-State Power: 0 Watts  
 0-10 V Dimming

### LEDs:

4500K CCT  
 Epoxy Guard™ protective conformal coated boards  
 Atlas LEDs provide higher lumen output, greater energy efficiency and more reliable fixture performance. They are tested and binned at 700mA which is the actual operating current used in Atlas LED luminaires, giving a better representation of actual performance.

### Reduced Glare:

Positioning of the LED modules within the housing result in light directed to desired locations and reduces offensive light.

### Testing:

Atlas LED luminaires have been tested by an independent laboratory in accordance with IESNA LM-79 & LM-80, and have received the Department of Energy "Lighting Facts" label.

### Warranty:

Five-year limited warranty

### Photo Control:

For factory installed 120V button photo control add suffix PC to part number.  
 480 Volt - For 480V add suffix 4 to part number.



Patent Pending

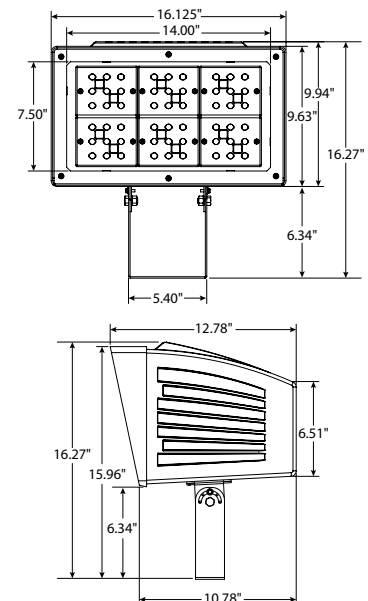


PFXL162LED Design is Protected by US Patent D740,997

Optional Factory Installed Slipfitter PFXL162LEDS

### DIMENSIONS:

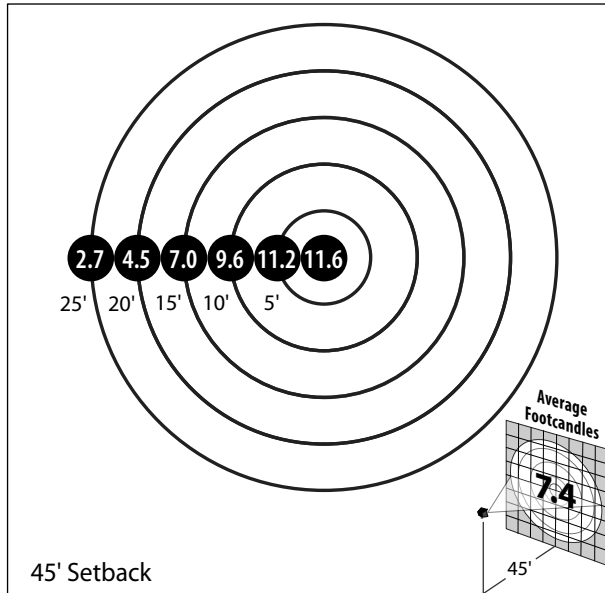
**Weight:** (with Trunion) 30 lbs.  
 (with Slipfitter) 31 lbs.  
**EPA:** 1.29



<sup>1</sup>LED Life Span Based Upon LM-80 Test Results

**Rebates and Incentives are available in many areas. Contact an Atlas Representative for more information.**

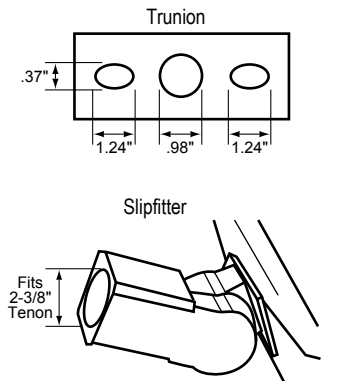
**PHOTOMETRIC**



**ENERGY SAVINGS**

LED		HID			ANNUAL SAVINGS
WATTAGE	ANNUAL COST	SOURCE WATTAGE	TOTAL WATTAGE USED	ANNUAL COST	
162	\$71	250	285	\$150	\$79
162	\$71	400	458	\$226	\$155
162	\$71	1000	1080	\$513	\$442

**MOUNTING DETAIL**



To Order Use Part #: **PFXL162LEDS**

Atlas Lighting Products

**lighting facts**<sup>®</sup>  
A Program of the U.S. DOE

<b>Light Output (Lumens)</b>	<b>14870</b>
<b>Watts</b>	<b>166.7</b>
<b>Lumens per Watt (Efficacy)</b>	<b>89.2</b>
<hr/>	
<b>Color Accuracy</b>	<b>72</b>
<small>Color Rendering Index (CRI)</small>	
<hr/>	
<b>Light Color</b>	<b>4397 (Bright White)</b>
<small>Correlated Color Temperature (CCT)</small>	
<small>Warm White</small>	<small>Daylight</small>
<small>2700K</small>	<small>6500K</small>
<small>3000K</small>	<small>4500K</small>

All results are according to IESNA LM-79-2008: *Approved Method for the Electrical and Photometric Testing of Solid-State Lighting*. The U.S. Department of Energy (DOE) verifies product test data and results.

**Visit [www.lightingfacts.com](http://www.lightingfacts.com) for the *Label Reference Guide*.**

Registration Number: PRB4-UWEXKH (8/7/2015)  
Model Number: PFXL162LED Upgrade : 8/7/2015  
Type: Luminaire - Directional