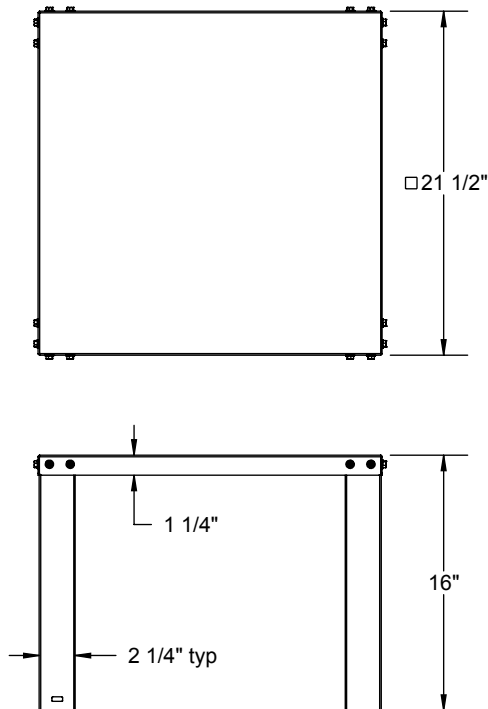
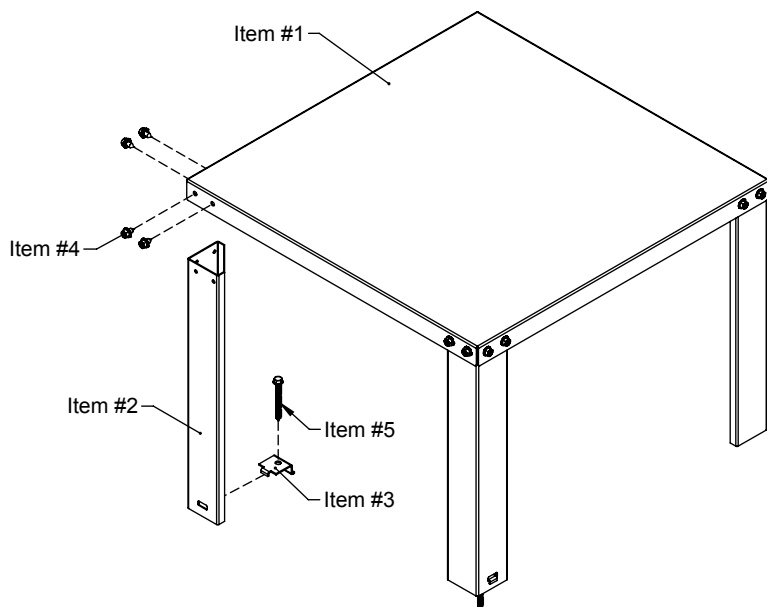


# PRODUCT SPECIFICATION DRAWING

## QUICKSTAND™ 21-1/2" X 21-1/2" (Water Heater & Equipment Support)

### #40-S-22-A (assembled) and #40-S-22-U (unassembled)



**The QUICKSTAND™ #40-S-22- (A or U) stands safely elevates water heaters and other equipment above the floor (650 lbs rating).**

ALL DIMENSIONS IN INCHES

#### Product Information:

- Material:
  - Item #1: Top, 16 gage CRS, galvanized
  - Item #2: Leg, 16 gage CRS, galvanized, 4 places
  - Item #3: Safety Clip, 14 gage CRS, galvanized, 2 places
  - Item #4: Screw, Php, HexWasherHd, #1/4-14 x 1/2"L (serrated), 16 places
  - Item #5: Lag Bolt, #1/4 X 2-1/2"L, self-drilling, 2 places
  - (note: items #3 and #5 included with product)
- Engineered and lab tested to meet Uniform Plumbing Code (UPC) and International Plumbing Code (IPC) requirements, including elevation of water heater's ignition source 18" above the floor
- Holds up to 650 pounds capacity (up to 52 U.S. gallon tanks)
- QUICKSTAND™ weight 15 pounds without packaging
- Available in assembled and unassembled configurations



THIS INFORMATION IS PROPRIETARY TO HOLDRITE AND IS SUBJECT TO CHANGE WITHOUT NOTICE. IT MAY NOT BE REPRODUCED IN PART OR WHOLE WITHOUT WRITTEN AUTHORIZATION.

# HOLDRITE®

CONVERTING MAKESHIFT METHODS INTO ENGINEERED SOLUTIONS™  
800-321-0316 OR 760-744-6944 / FAX: 760-744-0507 / WWW.HOLDRITE.COM  
spec\_40-S-22-16ga\_RevE

Product Submittal	
Job Name:	
Date:	
Part Number:	Qty:
Architect / Owner:	
Contractor:	
Notes:	