

19.5" Low-Profile Enclosure with Built-in Cover



For use with a GFCI device. Features clear, extra-duty weatherproof-in-use cover. UV rated plastic for long outdoor life. Four non-chipping colors.

FEATURES AND BENEFITS

- Molded-in color is permanent—unlike painted posts where lawn equipment chips the color off
- Includes clear extra-duty cover for weatherproof while-in-use, GFCI and duplex wall plates
- Installed cover, no gasket necessary
- Meets NEC box support requirements
- Built-in stabilizers need no assembly and provide rigid support
- Code approved installation
- No chipping...colorant runs throughout the product
- Extra Duty Rated

CATALOG NUMBER	UPC/DCI/NAED MFG #018997	DESCRIPTION	UNIT PKG	STD PKG	DIM A	DIM B	DIM C	DIM D
GPD19B	77020	Black	1	6	7.761	6.269	8.177	19.500
GPD19BR	77021	Bronze	1	6	7.761	6.269	8.177	19.500
GPD19G	77022	Green	1	6	7.761	6.269	8.177	19.500
GPD19W	77023	White	1	6	7.761	6.269	8.177	19.500

Add suffix "GC" to Catalog # when ordering in Canada, for example GPD19BGC.

Refer to page K-18 for replacement cover DBPV1C.

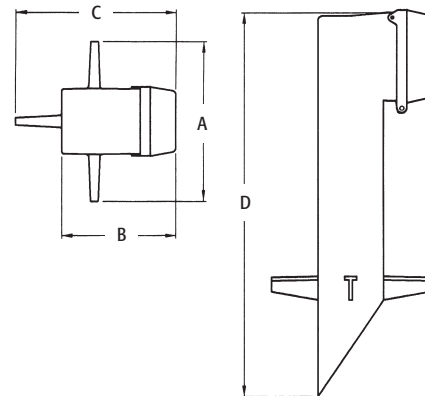
CSA listed with grounding lug.

PATENTED.

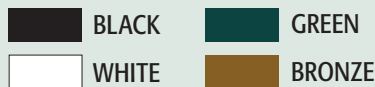
Note: Meets 2014 NEC Section 406.9; for the protection of exterior outlets which require the use of an extra-duty weatherproof while-in-use cover for all outdoor 15 or 20 AMP receptacles.



WEATHERPROOF-IN-USE
EXTRA-DUTY



COLOR CHART



COMES COMPLETE WITH...

Built-in extra-duty weatherproof-while-in-use cover, standard duplex & GFCI cover plates, and removable KO plate.

COMPARE



Why install boxes this way...



When you can have a great looking and long-lasting job like this!