



Deluxe Framed Sliding Shower Door SP5965-46

Features

- Framed, 1/8" (3 mm) thick tempered glass.
- Continuous guide mechanism for smooth, quiet sliding action and easy cleaning.
- Reversible top track and towel bar offer multiple aesthetic options.

Material

- Anodized aluminum prevents rusting or corrosion.
- Tempered glass ensures maximum safety and durability.

Installation

- Out-of-plumb adjustability allows for simpler installation.
- Can be installed to open to the left or right.

Components

Additional included component/s: Hardware kit.



Codes/Standards

ANSI Z97.1 (Tempered Glass)
CPSC 16CFR 1201


STERLING® Warranty - Bath and Shower Doors

See website for detailed warranty information.

Available Color/Finishes

Color tiles intended for reference only.

Color	Code	Description
-------	------	-------------

	S	Silver
--	---	--------

Available Glass Options

Code	Description
------	-------------

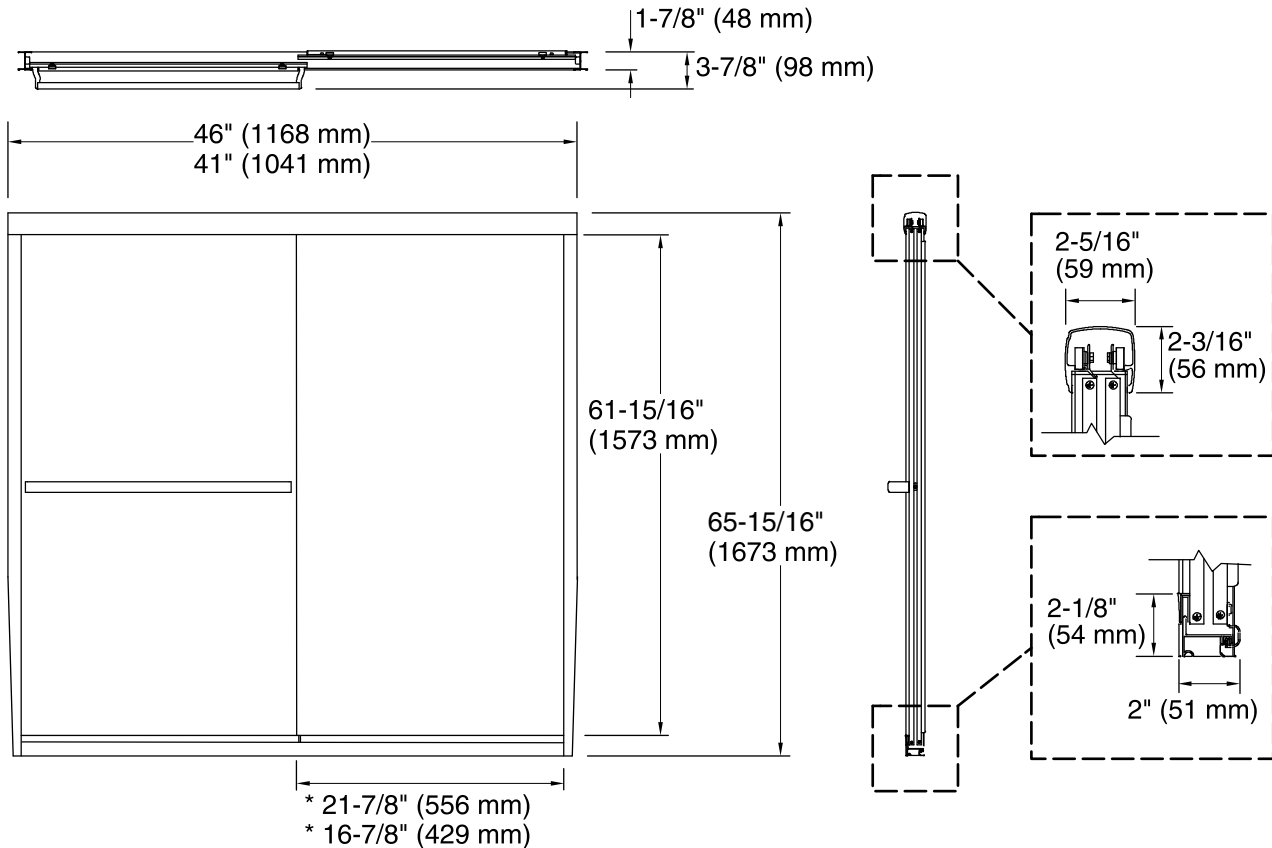
	Rain
--	------

USA/Canada: 1-800-STERLING (1-800-783-7546)

Kohler Co. reserves the right to make revisions without notice to product specifications.

For the most current Specification Sheet, go to www.sterlingplumbing.com.

6-15-2017 14:18



Technical Information

All product dimensions are nominal.
 Installation type: For shower base installation
 Opening Width - Min: 41" (1041 mm)
 Opening Width - Max: 46" (1168 mm)
 Walk-through - Min: 16-7/8" (429 mm)
 Walk-through - Max: 21-7/8" (556 mm)
 Glass thickness: 1/8" (3 mm)

Notes

Install this product according to the installation guide.
 The vertical opening should be a minimum of 67-7/16" (1713 mm) to allow for installation clearance.