



OC-S-63

63" Shower Base

62061100



Features

- Durable swirl gloss finish.
- Suitable for tile down application or with STERLING wall surround.
- 1/2" (13 mm) threshold with 1/2" (13 mm) finished floor.
- 63-1/4" (1067 mm) x 39-3/8" (1000 mm) x 7" (177 mm) base finished dimensions.

Material

- Compression molded from our exclusive Vikrell® material.



ADA

Codes/Standards



CSA B45.5/IAPMO Z124
ASTM E162
ASTM E662
Greenguard UL 2818 - Gold
ADA
ICC/ANSI A117.1

Warranty – Bathing Fixtures (and) Kitchen and Utility Sinks Made of Solid Vikrell® Material

See website for detailed warranty information.

Available Color/Finishes

Color tiles intended for reference only.

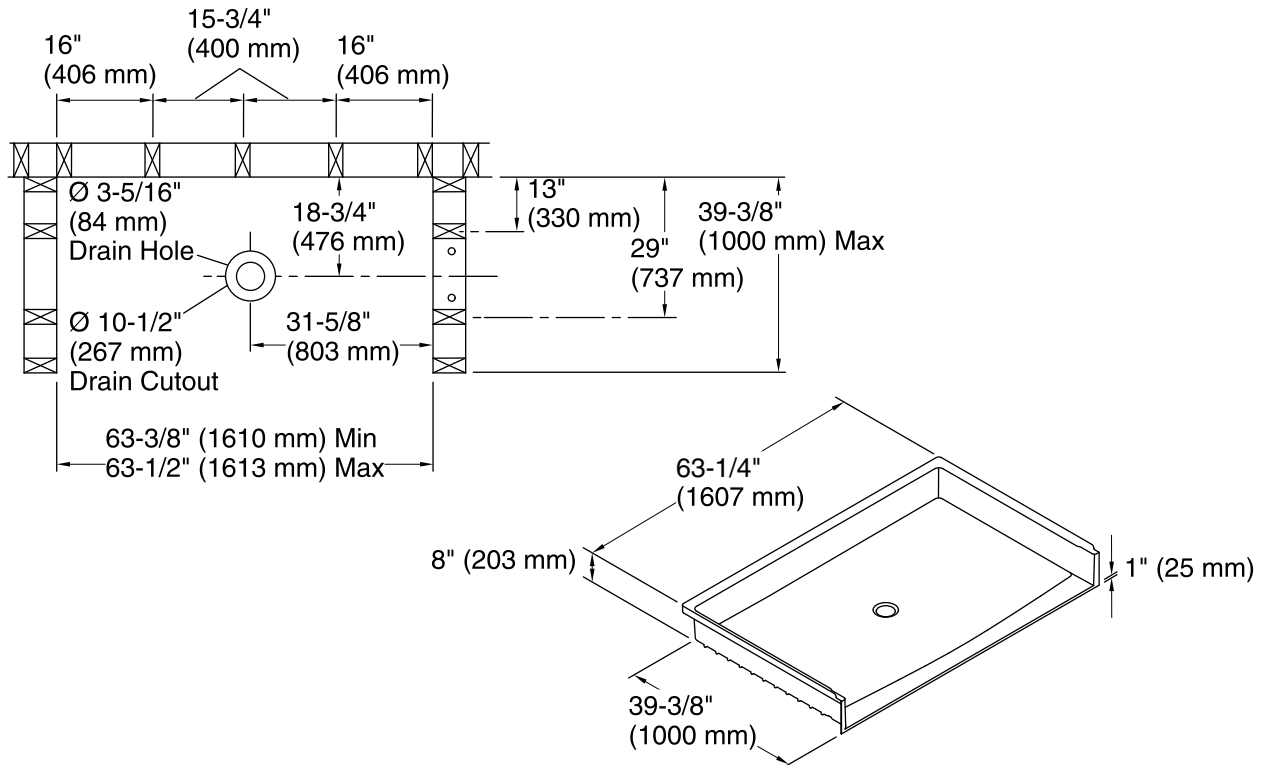
Color	Code	Description
	0	White
	96	KOHLER Biscuit

USA/Canada: 1-800-STERLING (1-800-783-7546)

Kohler Co. reserves the right to make revisions without notice to product specifications.

For the most current Specification Sheet, go to www.sterlingplumbing.com.

11-13-2017 03:58



Technical Information

All product dimensions are nominal.

Installation: 3-Wall Alcove

Drain location: Center

Minimum flat for door: 2-1/2" (64 mm)

Threshold height: 1/2" (13 mm)

Notes

Install this product according to the installation instructions.

1/2" minimum finished floor thickness required.

Studs should be positioned roughly as shown.

Drain cutout in subfloor to be 10-1/2" (267 mm) per rough-in illustration as shown to allow the backside of the drain to sit below the subfloor surface.

ADA compliant when installed to the specific requirements of these regulations.