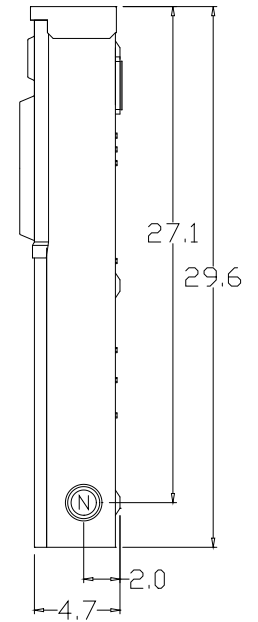
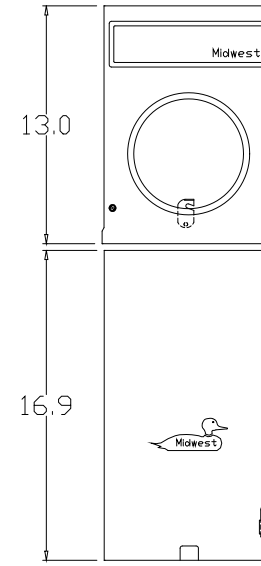
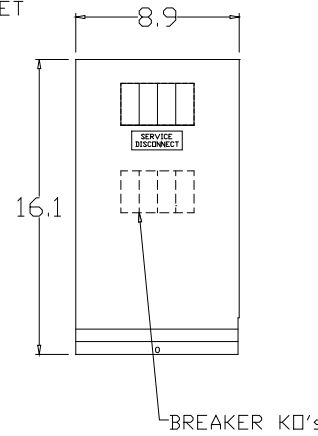
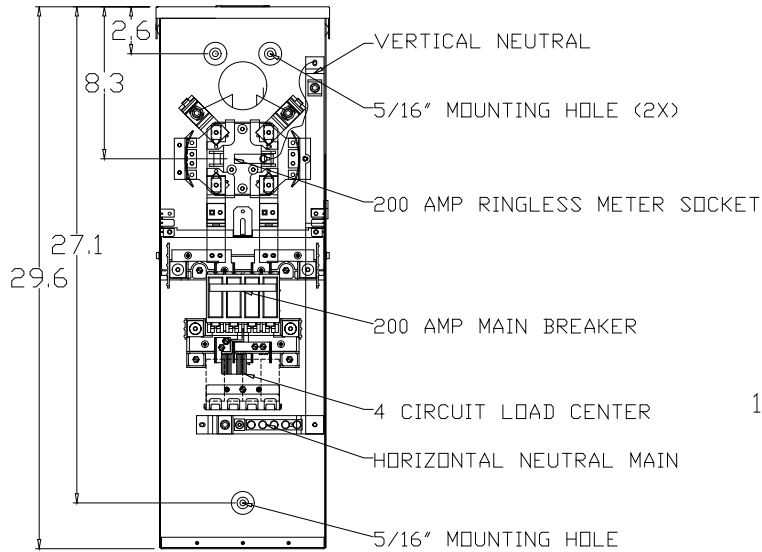
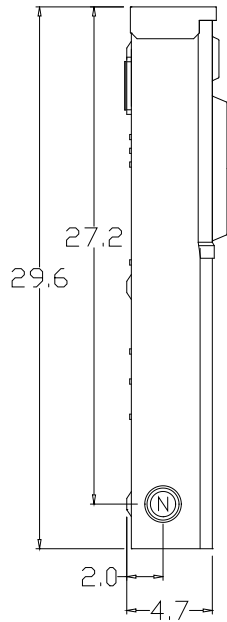


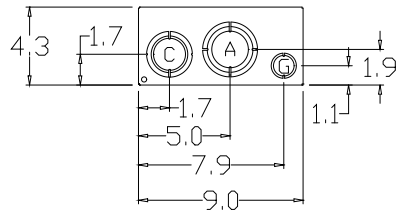
KNOCKOUT TABLE:

G= 1/2", 3/4", 1" KØ
C= 1-1/4", 1-1/2", 2" KØ
A= 1-1/2", 2", 2-1/2" KØ
N= 1/2", 3/4", 1", 1-1/4", 1-1/2", 2" KØ



WIRE RANGE TABLE:

CONNECTOR	COPPER		ALUMINUM	
	SOLID	STRAND	SOLID	STRAND
LINE METER SOCKET	-----	6-4/0	-----	6-4/0
LOAD BASE LUGS	-----	1-4/0	-----	1-4/0
NEUTRAL A	-----	1-300	-----	1-300
NEUTRAL/GRND. B	-----	6-2/0	-----	6-2/0
NEUTRAL/GRND. C	14-8	14-4	12-8	12-4
POST LINE CONNECTORS SUITABLE FOR LOAD FEED	#6-350	KCMIL	#6-350	KCMIL
EQUIP. GRND.	12-2	12-2	12-2	12-2



SH3

AutoCad Generated

Dr. By: JE Date: 1-23-08
 Ck. By: Date:

MIDWEST ELECTRIC PRODUCTS, INC.
 Mankato, MN



Unless Otherwise Specified

Tolerances On:
 3 Pl. Decimals ± .010
 2 Pl. Decimals ± .030
 Fractions ± 1/32
 Angles ± 1/2°
 Holes ± .003

Dimensions Are In Inches

* = Critical To Quality

SCALE 1 : 1
 SIZE B

SHEET 1 OF 1

TITLE: R281C1P6H
 HEAD OUTLINE

DWG NO: 198B8610