

MODEL NUMBER	REPLACEMENT PARTS		CABINET SIZE pages 90-91	ENCLOSURE STYLE page 90	CABINET DIMENSIONS **			KNOCKOUT FIGURE page 90
	METER * SOCKET	POST LUGS			HEIGHT	WIDTH	DEPTH	
					A	B	C	
5S3S2S2SEB	---	LT100B350	14PT	-	-	-	-	-
5S3S2S2SES	---	LT100S250	14PT	-	-	-	-	-
5S3S3S2SEB	---	LT100B350	14PT	-	-	-	-	-
5S3S3S2SES	---	LT100S250	14PT	-	-	-	-	-
M004C010	MSM100930	---	9 X 30	B	30"	9-3/4"	5-3/16"	2
M004CP6010	MSM100P9	LT100S300	9PT	-	-	-	-	-
M031C010	MSM100930	---	9 X 30	B	30"	9-3/4"	5-3/16"	2
M041C010	MSM100930	---	9 X 30	B	30"	9-3/4"	5-3/16"	2
M041CB6010	A	LT100B350	9PT	-	-	-	-	-
M041CP4010	MSM100P9	LT100S300	9PT	-	-	-	-	-
M041CP4L10	MSM100P9	LT100S250	9PT	-	-	-	-	-
M041CP4L31	MSM100P9	LT100S300	9PT	-	-	-	-	-
M041CP6010	MSM100P9	LT100S300	9PT	-	-	-	-	-
M041CP6L10	MSM100P9	LT100S250	9PT	-	-	-	-	-
M041G	MSM100930	---	9 X 30	B	30"	9-3/4"	5-3/16"	2
M041GB6	A	LT100B350	9PT	-	-	-	-	-
M041GP4	MSM100P9	LT100S250	9PT	-	-	-	-	-
M041GP6	MSM100P9	LT100S300	9PT	-	-	-	-	-
M055C010	MSM100930	---	9 X 30	B	30"	9-3/4"	5-3/16"	2
M055G	MSM100930	---	9 X 30	B	30"	9-3/4"	5-3/16"	2
M055GP6	MSM100P9	LT100S250	9PT	-	-	-	-	-
M075C010	MSM100930	---	9 X 30	B	30"	9-3/4"	5-3/16"	2
M075CB4010	A	LT100B350	9PT	-	-	-	-	-
M075CB6010	A	LT100B350	9PT	-	-	-	-	-
M075CB6031	A	LT100B350	9PT	-	-	-	-	-
M075CP4010	MSM100P9	LT100S300	9PT	-	-	-	-	-
M075CP4L10	MSM100P9	LT100S300	9PT	-	-	-	-	-
M075CP4L31	MSM100P9	LT100S300	9PT	-	-	-	-	-
M075CP6010	MSM100P9	LT100S300	9PT	-	-	-	-	-
M075CP6031	MSM100P9	LT100S300	9PT	-	-	-	-	-
M075CP6L10	MSM100P9	LT100S300	9PT	-	-	-	-	-
M075CP6L31	MSM100P9	LT100S300	9PT	-	-	-	-	-
M075CP6L39	MSM100P9	LT100S350	9PT	-	-	-	-	-
M075G	MSM100930	---	9 X 30	B	30"	9-3/4"	5-3/16"	2
M075GB6	A	LT100B350	9PT	-	-	-	-	-
M075GP4	MSM100P9	LT100S250	9PT	-	-	-	-	-
M075GP6	MSM100P9	LT100S250	9PT	-	-	-	-	-
M076C010	MSM100930	---	9 X 30	B	30"	9-3/4"	5-3/16"	2
M275CP6010/G1	*	LT200S350	14PT	-	-	-	-	-
M355C010	MSM100930	---	9 X 30	B	30"	9-3/4"	5-3/16"	2
M355CP6010	MSM100P9	LT100S300	9PT	-	-	-	-	-
M355G	MSM100930	---	9 X 30	B	30"	9-3/4"	5-3/16"	2
M355GB6	A	LT100B350	9PT	-	-	-	-	-
M355GP4	MSM100P9	LT100S300	9PT	-	-	-	-	-
M355GP6	MSM100P9	LT100S300	9PT	-	-	-	-	-
M355GP6028	MSM100P9	LT100S250	9PT	-	-	-	-	-
M358CP6	MSM100P9	LT100B350	9PT	-	-	-	-	-
M655GB6	MW200M	LT200B350	14PT	-	-	-	-	-
M655GP6	MW200M	LT200S350	14PT	-	-	-	-	-
M675CP6010/G1	*	LT200S350	14PT	-	-	-	-	-
M775CB6010	A	LT100B350	9PT	-	-	-	-	-
M775CP6010	MSM100P9	LT100S250	9PT	-	-	-	-	-
R031C010	MSR100930	---	9 X 30	B	30"	9-3/4"	5-3/16"	2
R041C010	MSR100930	---	9 X 30	B	30"	9-3/4"	5-3/16"	2
R041CP6010	MSR100P9	LT100S300	9PT	-	-	-	-	-

A Front (Inline Side) MSM100P9, Back (Powerhead side) MSM100HP

B Front (Inline Side) MSR100P9, Back (Powerhead side) MSR100HP

* Contact Manufacturer.

** For Post Cabinet Sizes and Dimensions see page 91

Data subject to change without notice.

MODEL NUMBER	REPLACEMENT PARTS		CABINET SIZE pages 90-91	ENCLOSURE STYLE page 90	CABINET DIMENSIONS **			KNOCKOUT FIGURE page 90
	METER SOCKET	POST LUGS			HEIGHT	WIDTH	DEPTH	
					A	B	C	
R041G	MSR100930	---	9 X 30	B	30"	9-3/4"	5-3/16"	2
R041GB6	B	LT100B350	9PT	-	-	-	-	-
R041GP6	MSR100P9	LT100S250	9PT	-	-	-	-	-
R055C010	MSR100930	---	9 X 30	B	30"	9-3/4"	5-3/16"	2
R055G	MSR100930	---	9 X 30	B	30"	9-3/4"	5-3/16"	2
R075C010	MSR100930	---	9 X 30	B	30"	9-3/4"	5-3/16"	2
R075CB6010	MSR100P9	LT100B350	9PT	-	-	-	-	-
R075CP4010	MSR100P9	LT100S250	9PT	-	-	-	-	-
R075CP6010	MSR100P9	LT100S300	9PT	-	-	-	-	-
R075CP6031	MSR100P9	LT100S300	9PT	-	-	-	-	-
R075GB6	B	LT100B350	9PT	-	-	-	-	-
R075GP6	MSR100P9	---	9PT	-	-	-	-	-
R076C010	MSR100930	---	9 X 30	B	30"	9-3/4"	5-3/16"	2
R355CP6010	MSR100P9	---	9PT	-	-	-	-	-
R355CP6031	MSR100P9	---	9PT	-	-	-	-	-
R355G	MSR100930	---	9 X 30	B	30"	9-3/4"	5-3/16"	2
R355GP6	MSR100P9	---	9PT	-	-	-	-	-
U004CB4010	---	LT100B350	9PT	-	-	-	-	-
U004CB6010	---	LT100B350	9PT	-	-	-	-	-
U004CP4010	---	LT100S250	9PT	-	-	-	-	-
U004CP4031	---	LT100S300	9PT	-	-	-	-	-
U004CP6010	---	LT100S300	9PT	-	-	-	-	-
U010C010	---	---	6 X 9	A	9-1/8"	7-1/4"	5-3/16"	1
U010G	---	---	6 X 9	A	9-1/8"	7-1/4"	5-3/16"	1
U011C010	---	---	6 X 14	A	14-3/8"	7-1/4"	5-3/16"	1
U011CP4010	---	LT100S300	6PT	-	-	-	-	-
U011CP6010	---	LT100S300	6PT	-	-	-	-	-
U011CTL010	---	---	9 X 17	A	17-3/8"	9-3/4"	5-3/16"	2
U011G	---	---	6 X 14	A	14-3/8"	7-1/4"	5-3/16"	1
U011GB4	---	LT100B250	6PT	-	-	-	-	-
U011GB6	---	LT100B250	6PT	-	-	-	-	-
U011GP4	---	LT100S250	6PT	-	-	-	-	-
U011GP6	---	LT100S300	6PT	-	-	-	-	-
U011GTL	---	---	9 X 17	A	17-3/8"	9-3/4"	5-3/16"	2
U031C010	---	---	9 X 17	A	17-3/8"	9-3/4"	5-3/16"	2
U040G	---	---	6 X 14	A	14-3/8"	7-1/4"	5-3/16"	1
U040GP4	---	LT100S250	6PT	-	-	-	-	-
U040GP6	---	LT100S300	6PT	-	-	-	-	-
U040GP6010	---	LT100S250	6PT	-	-	-	-	-
U040GTL	---	---	9 X 17	A	17-3/8"	9-3/4"	5-3/16"	2
U041C010	---	---	6 X 14	A	14-3/8"	7-1/4"	5-3/16"	1
U041CB4010	---	LT100B250	6PT	-	-	-	-	-
U041CB4L10	---	LT100B250	6PT	-	-	-	-	-
U041CB6010	---	---	6PT	-	-	-	-	-
U041CB6L10	---	LT100B250	6PT	-	-	-	-	-
U041CP4010	---	LT100S250	6PT	-	-	-	-	-
U041CP4031	---	LT100S250	6PT	-	-	-	-	-
U041CP4039	---	LT100S350	6PT	-	-	-	-	-
U041CP4L10	---	LT100S250	6PT	-	-	-	-	-
U041CP6010	---	LT100S300	6PT	-	-	-	-	-
U041CP6031	---	LT100S250	6PT	-	-	-	-	-
U041CP6039	---	LT100S350	6PT	-	-	-	-	-
U041CP6L10	---	LT100S300	6PT	-	-	-	-	-
U041CTL010	---	---	9 X 17	A	17-3/8"	9-3/4"	5-3/16"	2
U041CTLL10	---	---	9 X 17	A	17-3/8"	9-3/4"	5-3/16"	2
U041G	---	---	6 X 14	A	14-3/8"	7-1/4"	5-3/16"	1
U041GB4	---	LT100B250	6PT	-	-	-	-	-

B - Front (Inline Side) MSR100P9, Back (Powerhead side) MSR100HP

** For Post Cabinet Sizes and Dimensions see page 91

MODEL NUMBER	REPLACEMENT PARTS		CABINET SIZE pages 90-91	ENCLOSURE STYLE page 90	CABINET DIMENSIONS **			KNOCKOUT FIGURE page 90
	METER SOCKET	POST LUGS			HEIGHT	WIDTH	DEPTH	
					A	B	C	
U041GB6	---	LT100B250	6PT	-	-	-	-	-
U041GP4	---	LT100S300	6PT	-	-	-	-	-
U041GP4L	---	LT100S250	6PT	-	-	-	-	-
U041GP6	---	LT100S300	6PT	-	-	-	-	-
U041GP6L	---	LT100S250	6PT	-	-	-	-	-
U041GTL	---	---	9 X 17	A	17-3/8"	9-3/4"	5-3/16"	2
U042GB6	---	LT100B250	6PT	-	-	-	-	-
U042GP6	---	LT100S300	6PT	-	-	-	-	-
U043GP6	---	LT100S250	6PT	-	-	-	-	-
U055C010	---	---	6 X 14	A	14-3/8"	7-1/4"	5-3/16"	1
U055CP4010	---	LT100S300	6PT	-	-	-	-	-
U055CP6010	---	LT100S300	6PT	-	-	-	-	-
U055G	---	---	6 X 14	A	14-3/8"	7-1/4"	5-3/16"	1
U055GB6	---	LT100B250	6PT	-	-	-	-	-
U075CB4010	---	LT100B350	9PT	-	-	-	-	-
U075CB4031	---	LT100B350	9PT	-	-	-	-	-
U075CB4L10	---	LT100B350	9PT	-	-	-	-	-
U075CB6010	---	LT100B350	9PT	-	-	-	-	-
U075CB6031	---	LT100B350	9PT	-	-	-	-	-
U075CB6L10	---	LT100B350	9PT	-	-	-	-	-
U075CP4010	---	LT100S300	9PT	-	-	-	-	-
U075CP4031	---	LT100S300	9PT	-	-	-	-	-
U075CP4L10	---	LT100S300	9PT	-	-	-	-	-
U075CP4L31	---	LT100S250	9PT	-	-	-	-	-
U075CP6010	---	LT100S300	9PT	-	-	-	-	-
U075CP6010D	---	LT100S250	9PT	-	-	-	-	-
U075CP6031	---	LT100S300	9PT	-	-	-	-	-
U075CP6039	---	LT100S350	9PT	-	-	-	-	-
U075CP6039D	---	---	9PT	-	-	-	-	-
U075CP6L10	---	LT100S300	9PT	-	-	-	-	-
U075CP6L31	---	LT100S300	9PT	-	-	-	-	-
U075CTL010	---	---	9 X 17	A	17-3/8"	9-3/4"	5-3/16"	2
U075CTLL10	---	---	9 X 17	A	17-3/8"	9-3/4"	5-3/16"	2
U075GB6	---	LT100B350	9PT	-	-	-	-	-
U075GP4	---	LT100S300	9PT	-	-	-	-	-
U075GP4L	---	LT100S250	9PT	-	-	-	-	-
U075GP6	---	LT100S300	9PT	-	-	-	-	-
U075GP6019	---	LT100S250	9PT	-	-	-	-	-
U075GP6L	---	LT100S300	9PT	-	-	-	-	-
U075GTL	---	---	9 X 17	A	17-3/8"	9-3/4"	5-3/16"	2
U076C010	---	---	9 X 17	A	17-3/8"	9-3/4"	5-3/16"	2
U131CP6010	---	LT100S250	14PT	-	-	-	-	-
U131CTL010	---	---	14 X 21	A	21-3/8"	14-3/4"	6-7/16"	3
U175CP6HP010	---	---	14PT	-	-	-	-	-
U355C010	---	---	9 X 17	A	17-3/8"	9-3/4"	5-3/16"	2
U355G	---	---	9 X 17	A	17-3/8"	9-3/4"	5-3/16"	2
U355GP6	---	LT100S250	9PT	-	-	-	-	-
U412CP6010	---	LT100S300	9PT	-	-	-	-	-
U412G	---	---	9 X 17	A	17-3/8"	9-3/4"	5-3/16"	2
U412GP6	---	LT100S300	9PT	-	-	-	-	-
U611CB4010	---	LT100B250	9PT	-	-	-	-	-
U611CB6010	---	LT100B250	9PT	-	-	-	-	-
U611CP4010	---	LT100S250	9PT	-	-	-	-	-
U611CP6010	---	LT100S300	9PT	-	-	-	-	-
U611CTL010	---	---	9 X 17	A	17-3/8"	9-3/4"	5-3/16"	2
U611GTL	---	---	9 X 17	A	17-3/8"	9-3/4"	5-3/16"	2
U775C010	---	---	9 X 17	A	17-3/8"	9-3/4"	5-3/16"	2
U775CP4010	---	LT100S300	9PT	-	-	-	-	-
U775CP6010	---	LT100S250	9PT	-	-	-	-	-

** For Post Cabinet Sizes and Dimensions see page 91

Data subject to change without notice.

RV Products

Cabinet Dimensions & Knockouts

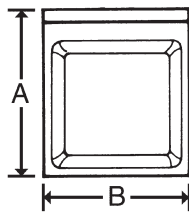


RV Power Outlets - Cabinet Dimensions

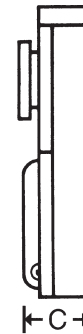
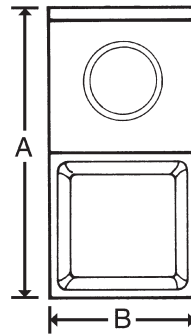
CABINET SIZE	ENCLOSURE STYLE	A	B	C	KO DETAIL
6x9	Fig. A	9-1/8"	7-1/4"	5-3/16"	Fig. 1
6x14	Fig. A	14-3/8"	7-1/4"	5-3/16"	Fig. 1
9x17	Fig. A	17-3/8"	9-3/4"	5-3/16"	Fig. 2
9x30	Fig. B	30"	9-3/4"	5-3/16"	Fig. 2
14x21	Fig. A	21-3/8"	14-3/4"	6-7/16"	Fig. 3

Enclosure Style

(FIG. A)

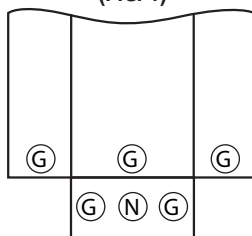


(FIG. B)

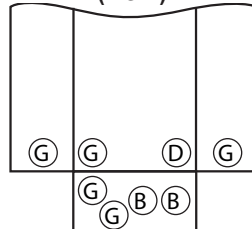


Knockout Configurations

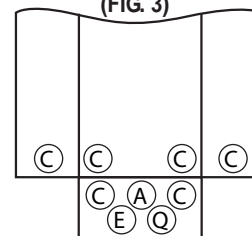
(FIG. 1)



(FIG. 2)



(FIG. 3)



A= 1-1/2", 2", 2-1/2"

B= 1", 1-1/4", 1-1/2"

C= 1-1/4", 1-1/2", 2"

D= 3/4", 1", 1-1/4"

E= 3/4"

G= 1/2", 3/4", 1"

N= 1/2", 3/4", 1", 1-1/4", 1-1/2"

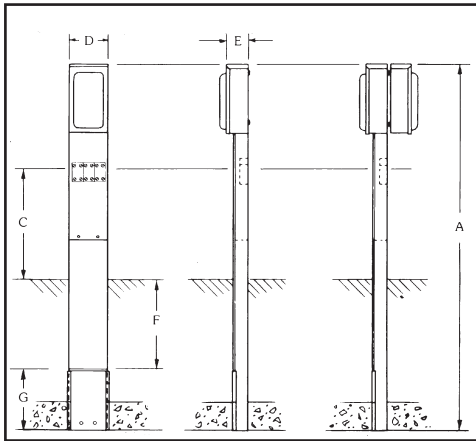
Q= 1"

W= 1/2", 3/4", 1", 1-1/4", 2"

Post Dimensions



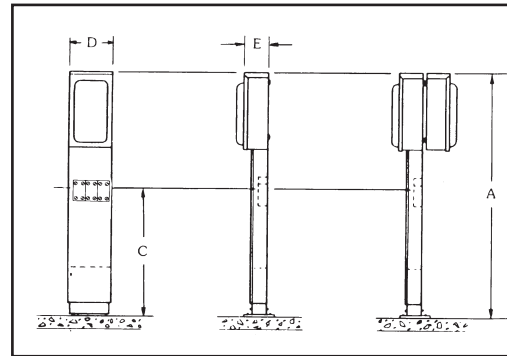
6PT EARTH BURIAL



UNMETERED	
A	62"
C	19-3/4"
D	6-1/2"
E	3-1/4"
F	18"
G	6"

Single Head Post Double Head Post (Back-to-Back)

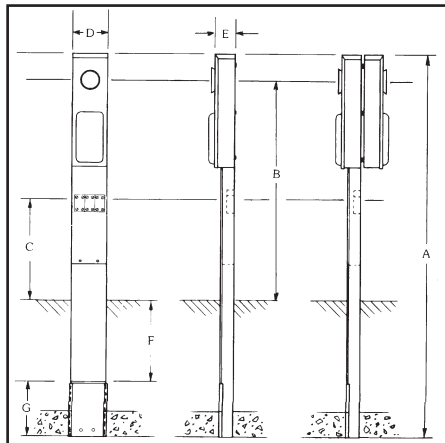
6PT PAD MOUNT



UNMETERED	
A	36"
C	17-3/4"
D	6-1/2"
E	3-3/4"

Single Head Post Double Head Post (Back-to-Back)

9PT EARTH BURIAL

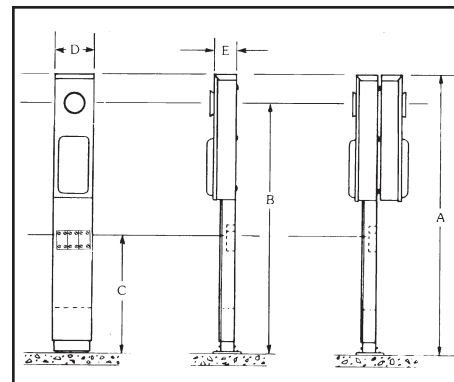


UNMETERED	METERED
A	65" 77-1/2"
B	---- 45-1/4"
C	19-1/8" 19-1/8"
D	9" 9"
E	3-1/2"* 3-1/2"*
F	18" 18"
G	6" 6"

* Some models available in 4-3/8". Contact Distributor/Factory.

Single Head Post Double Head Post (Back-to-Back)

9PT PAD MOUNT

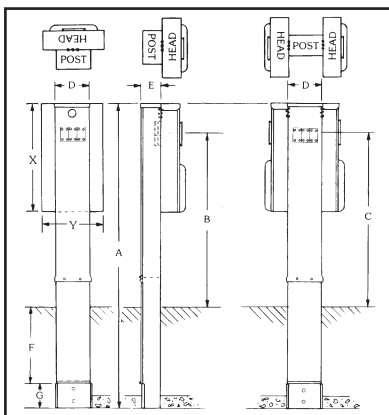


UNMETERED	METERED
A	41-1/8" 53-1/2"
B	--- 45-1/2"
C	19-3/4" 19-1/2"
D	9" 9"
E	3-1/2"* 3-1/2"*

* Some models available in 4-3/8". Contact Distributor/Factory.

Single Head Post Double Head Post (Back-to-Back)

14PT EARTH BURIAL



UNMETERED	METERED
A	83-1/2" 86"
B	---- 50"
C	49-1/2" 49-1/2"
D	14" 14"
E	3-1/2"* 3-1/2"*
F	18" 18"
G	6" 6"

* Some models available in 4-3/8". Contact Distributor/Factory.

Single Head Post Double Head Post (Back-to-Back)

KEY

- A = Post Length
- B = Meter Center to Grade
- C = Terminal Bar to Grade
- D = Post Width
- E = Post Depth
- F = Grade to Wire Opening
- G = Wire Opening

RV Products