
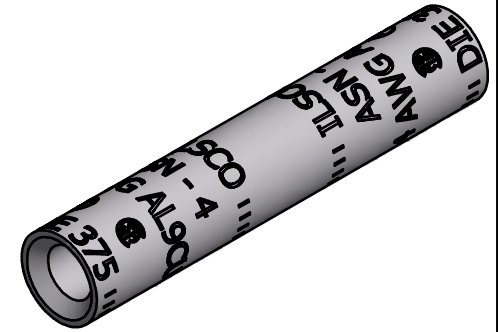
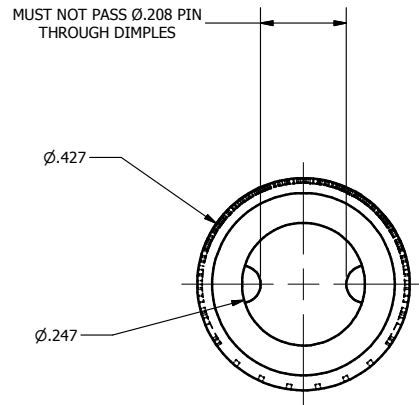


NOTE :
1. BOTH ENDS OF WIREWAY MUST PASS Ø.232 PIN

SCREW: NONE	MATERIAL: L020427	CELL: CSP	TOLERANCES-UNLESS OTHERWISE SPECIFIED 2 PL. DEC. ±.015 TRUE CL. ±.015 3 PL. DEC. ±.015 ANGLES ±1		 DWG. NO. H1908 SHEET 1 OF 2
CAT. NO.: ASN - 4	PLATING: EL-TIN	INFORMATION SHT: FORM 196	DRAWN BY: AR	SCALE: 4:1	
MASS: .02 LBS	MARKING: SEE DRAWING	DATE: 12/20/2013	SIZE: B		
SURFACE AREA: 5.208 in ²			REV. A	DESCRIPTION	APPROVED BY



SCALE 2 : 1



.06 X 45° Chamfer (BOTH ENDS)

(2) CABLE STOPS

