

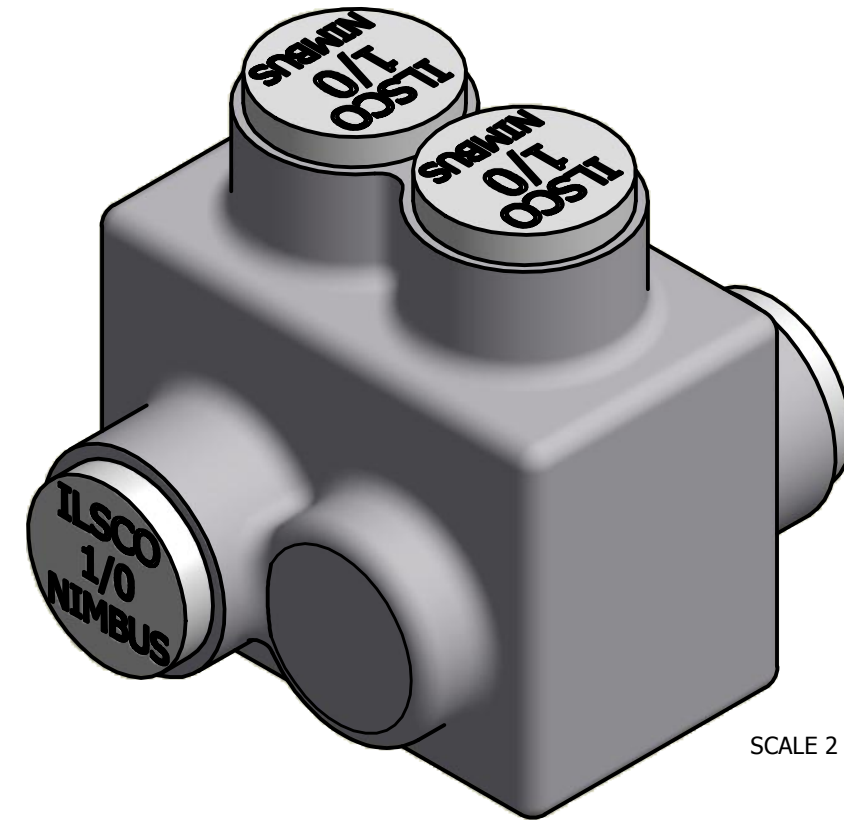
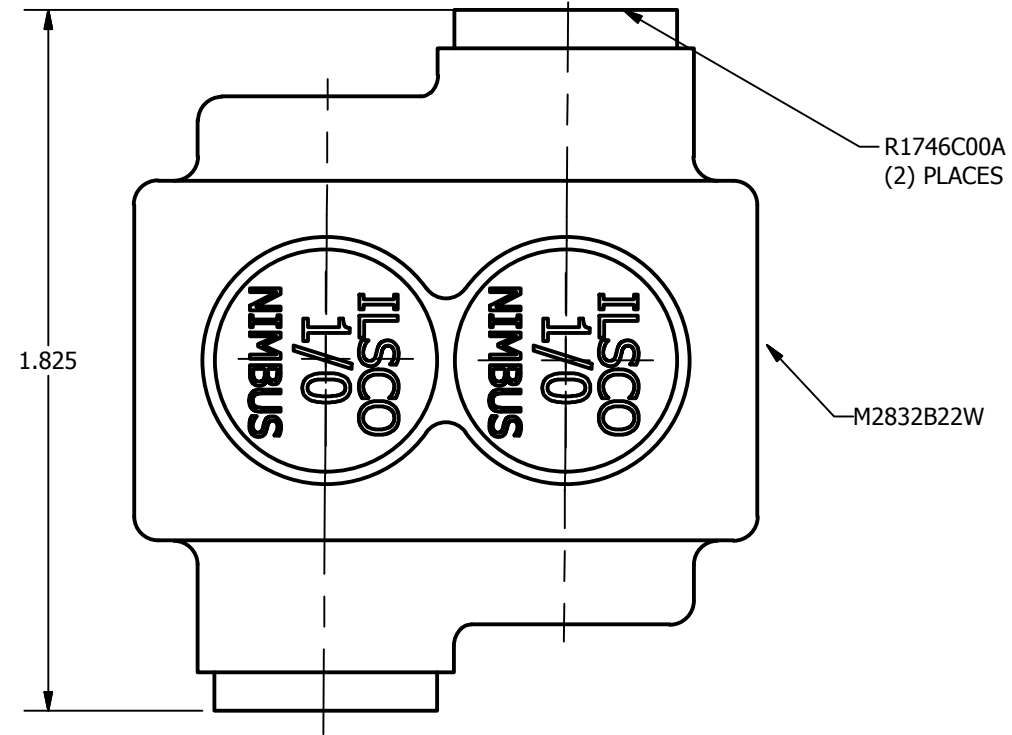
SCREW: E1376
CAT. NO.: PBTO-1/0
INFORMATION SHEET: FORM 106

MATERIAL: NONE
PLATING: NONE
MARKING: NONE

REV: K
DRAWN BY: CLH
DATE: 1/28/2008
SCALE:
SIZE: B



DWG NO: **M2832**
SHEET: 1 OF 1



SCALE 2 : 1

